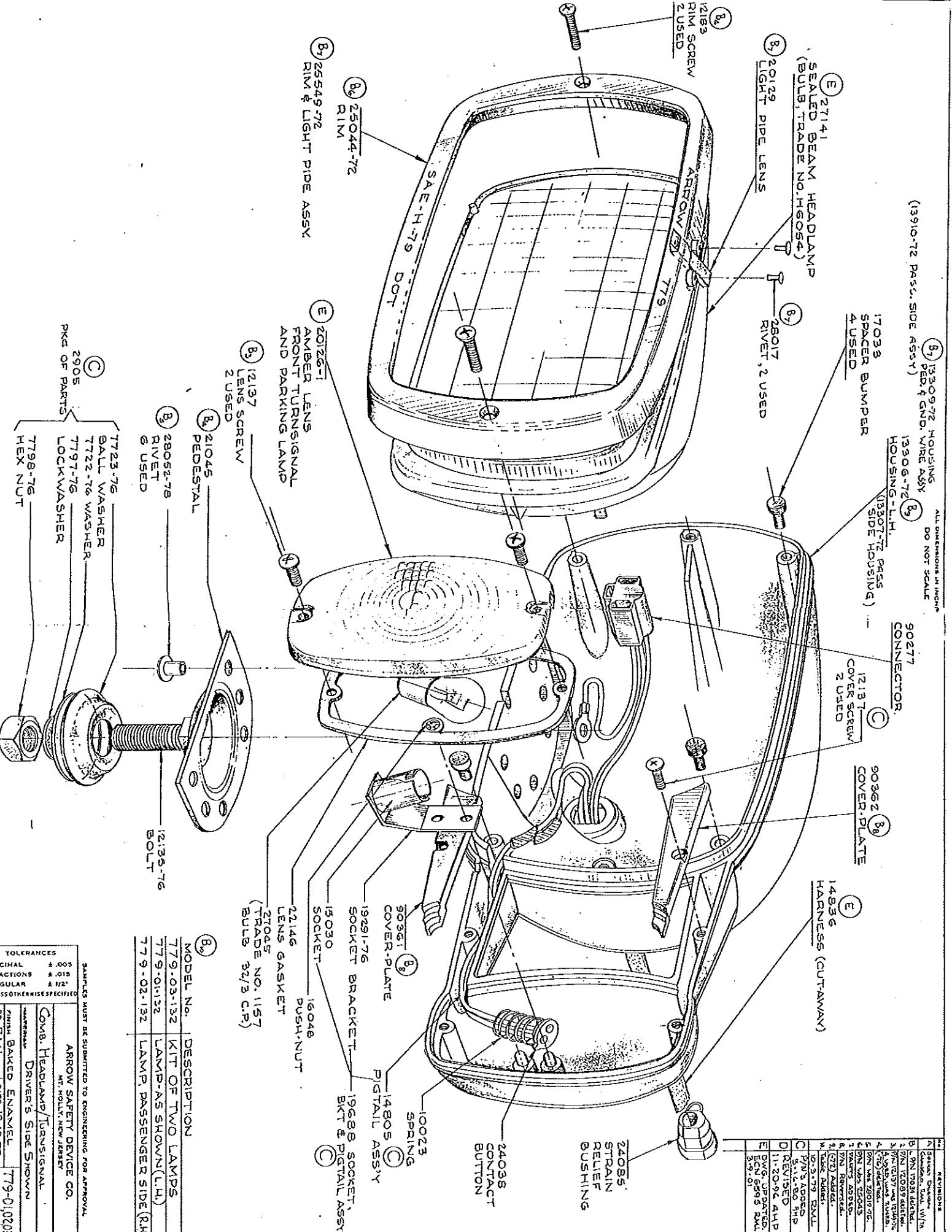


ALL DIMENSIONS IN INCHES  
DO NOT SCALE



MODEL No. 779-03-132

DESCRIPTION KIT OF TWO LAMPS

779-01-132 LAMP-AS SHOWN (L.H.)

779-02-132 LAMP, PASSENGER SIDE (R.H.)

FINISH BAKED ENAMEL

DATE 10-10-78

SCALE NONE

779-010203

ARROW SAFETY DEVICE CO.  
MT. HOLLY, NEW JERSEY

DRIVER'S SIDE SHOWN

TOLERANCES

DECIMAL ± .005

FRACTIONS ± .015

ANGULAR ± 1/2°

UNLESS OTHERWISE SPECIFIED

SAFETY DEVICES MUST BE SUBMITTED TO ENGINEERING FOR APPROVAL

CONTR. HEADLAMP/TURNSIGNAL

DRIVER'S SIDE SHOWN

FINISH BAKED ENAMEL

DATE 10-10-78

SCALE NONE

779-010203

ARROW SAFETY DEVICE CO.  
MT. HOLLY, NEW JERSEY

DRIVER'S SIDE SHOWN

REVISIONS

1. Original Design

2. 1/2" 17038 detail

3. 1/2" 12089 detail

4. 1/2" 15197 and 15197a

5. 1/2" 15197a detail

6. 1/2" 15197a detail

7. 1/2" 15197a detail

8. 1/2" 15197a detail

9. 1/2" 15197a detail

10. 1/2" 15197a detail

11. 1/2" 15197a detail

12. 1/2" 15197a detail

13. 1/2" 15197a detail

14. 1/2" 15197a detail

15. 1/2" 15197a detail

16. 1/2" 15197a detail

17. 1/2" 15197a detail

18. 1/2" 15197a detail

19. 1/2" 15197a detail

20. 1/2" 15197a detail

21. 1/2" 15197a detail

22. 1/2" 15197a detail

23. 1/2" 15197a detail

24. 1/2" 15197a detail

25. 1/2" 15197a detail

26. 1/2" 15197a detail

27. 1/2" 15197a detail

28. 1/2" 15197a detail

29. 1/2" 15197a detail

30. 1/2" 15197a detail

31. 1/2" 15197a detail

32. 1/2" 15197a detail

33. 1/2" 15197a detail

34. 1/2" 15197a detail

35. 1/2" 15197a detail

36. 1/2" 15197a detail

37. 1/2" 15197a detail

38. 1/2" 15197a detail

39. 1/2" 15197a detail

40. 1/2" 15197a detail

41. 1/2" 15197a detail

42. 1/2" 15197a detail

43. 1/2" 15197a detail

44. 1/2" 15197a detail

45. 1/2" 15197a detail

46. 1/2" 15197a detail

47. 1/2" 15197a detail

48. 1/2" 15197a detail

49. 1/2" 15197a detail

50. 1/2" 15197a detail

51. 1/2" 15197a detail

52. 1/2" 15197a detail

53. 1/2" 15197a detail

54. 1/2" 15197a detail

55. 1/2" 15197a detail

56. 1/2" 15197a detail

57. 1/2" 15197a detail

58. 1/2" 15197a detail

59. 1/2" 15197a detail

60. 1/2" 15197a detail

61. 1/2" 15197a detail

62. 1/2" 15197a detail

63. 1/2" 15197a detail

64. 1/2" 15197a detail

65. 1/2" 15197a detail

66. 1/2" 15197a detail

67. 1/2" 15197a detail

68. 1/2" 15197a detail

69. 1/2" 15197a detail

70. 1/2" 15197a detail

71. 1/2" 15197a detail

72. 1/2" 15197a detail

73. 1/2" 15197a detail

74. 1/2" 15197a detail

75. 1/2" 15197a detail

76. 1/2" 15197a detail

77. 1/2" 15197a detail

78. 1/2" 15197a detail

79. 1/2" 15197a detail

80. 1/2" 15197a detail

81. 1/2" 15197a detail

82. 1/2" 15197a detail

83. 1/2" 15197a detail

84. 1/2" 15197a detail

85. 1/2" 15197a detail

86. 1/2" 15197a detail

87. 1/2" 15197a detail

88. 1/2" 15197a detail

89. 1/2" 15197a detail

90. 1/2" 15197a detail

91. 1/2" 15197a detail

92. 1/2" 15197a detail

93. 1/2" 15197a detail

94. 1/2" 15197a detail

95. 1/2" 15197a detail

96. 1/2" 15197a detail

97. 1/2" 15197a detail

98. 1/2" 15197a detail

99. 1/2" 15197a detail

100. 1/2" 15197a detail