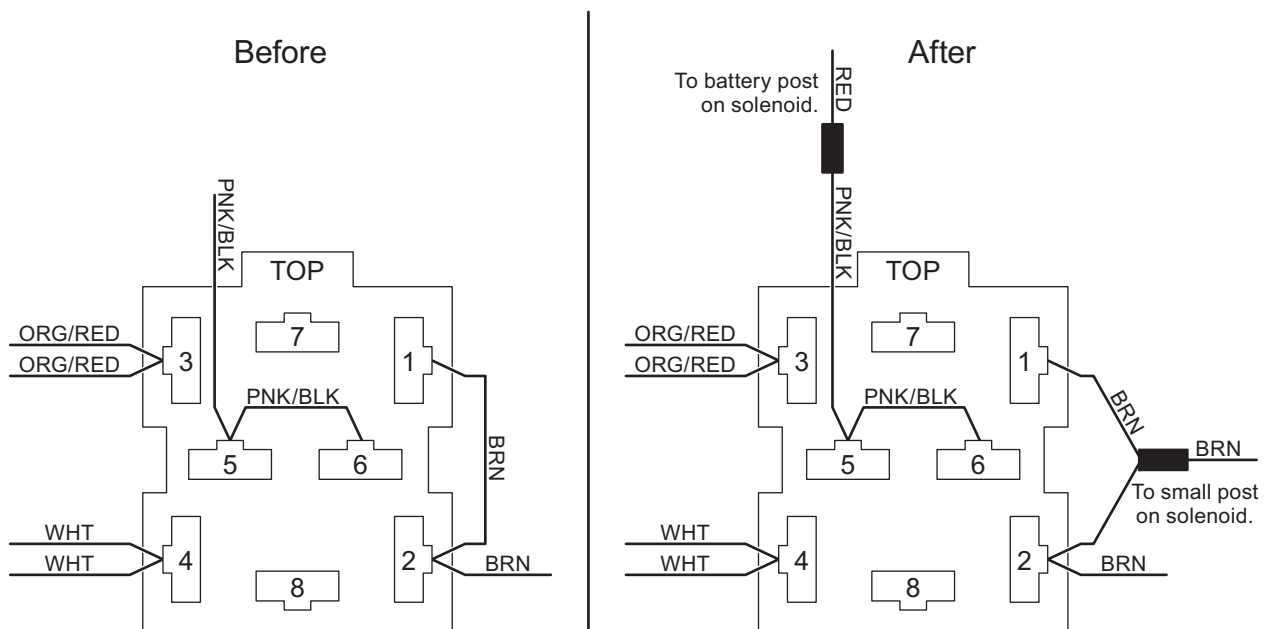


Plow-Side Wire Harness Assembly For All Snowplows (1999)

Installation Instructions

This procedure is required for plow-side wire harness assembly B62039 when installed on a BLIZZARD[®] snowplow manufactured in 1999.

1. Locate the pink wire with black stripe connecting the harness to the square connector. Cut the pink wire with black stripe as close to the harness as possible.
2. Splice the supplied red wire with ring terminal to the pink wire with black stripe on the square connector.
3. Locate the brown wire loop on the square connector. Cut the loop in the center, and splice both ends with the supplied brown wire with ring terminal.
4. Connect the ring terminal from the brown wire to the small post on the solenoid.
5. If there is another small post on the solenoid, it needs to be connected to a secure ground.
6. Connect the ring terminal from the red wire to the battery post on the solenoid.



Blizzard reserves the right under its product improvement policy to change construction or design details and furnish equipment when so altered without reference to illustrations or specifications used. Blizzard or the vehicle manufacturer may require or recommend optional equipment for snow removal. Do not exceed vehicle ratings with a snowplow. Blizzard offers a limited warranty for all snowplows and accessories. See separately printed page for this important information. The following is a registered (®) trademark of Douglas Dynamics, L.L.C.: BLIZZARD®.

Printed in U.S.A.
