



**PARTS & INSTALLATION INSTRUCTIONS**  
**MDII™ and E-Z MOUNT PLUS™**  
**SNOW PLOW MOUNTING 17143**  
**2003 & Later Hummer H2**  
**Non-Commercial, Personal Use Only**

End user must be given this instruction sheet prior to delivery of this Snow Plow.

**SAFETY DEFINITIONS**

	This is the safety alert symbol. It is used to alert you to potential personal injury hazards. Obey all safety messages that follow this symbol to avoid possible injury or death.
	<b>DANGER</b> Indicates an imminently hazardous situation which, if not avoided, will result in death or serious injury.
	<b>WARNING</b> Indicates a potentially hazardous situation which, if not avoided, could result in death or serious injury.
	<b>CAUTION</b> Indicates an potentially hazardous situation which, if not avoided, may result in minor or moderate injury.
	<b>CAUTION</b> used without the safety alert symbol indicates a potentially hazardous situation which, if not avoided, will result in property damage.

**IMPORTANT NOTICE**

In conjunction with FMVSS (Federal Motor Vehicle Safety Standards) and OEM (Original Equipment Manufacturer) guidelines, Meyer Products has designed this plow package with the following guidelines:

	Installation of a snowplow may effect your new vehicle warranty. For more information consult your Vehicle Owner's Manual / Vehicle Dealer.
	The vehicle must not be operated when overloaded. In all cases, the loaded vehicle weight, including the entire snowplow system, all aftermarket accessories, driver, passenger, options, nominal fluid levels, and cargo must not exceed the front/rear Gross Axle Weight Rating (GAWR), and total Gross Vehicle Weight Rating (GVWR). These weights ratings are specified on the safety compliance certification label on the driver's side door opening. The use of rear ballast weight may be required to prevent exceeding the front GAWR.

According to the NHTSA (National Highway Traffic Safety Administration) new and untitled vehicles need to be verified by the installer that snowplow and ballast (if needed) do no exceed the front/rear GAWR and total GVWR.

		Read the Meyer Owner's Manual before operating or servicing a snowplow. <b>FOLLOW THESE INSTRUCTIONS EXPLICITLY.</b>
--	--	--

**GENERAL INFORMATION**

	<b>SAFETY PRECAUTIONS</b> should be used when <b>Hydraulic Unit is in OPERATION</b> and plow is in a <b>RAISED</b> position. <b>Lower plow to ground when vehicle is PARKED in case of hydraulic failure.</b>
--	---

Check contents against the parts list to determine all are correct and included, and also to familiarize yourself with them.

	Warranty does not apply to a Meyer or Diamond product which has been negligently or improperly assembled or installed.
--	--

	<b>CAUTION: To avoid harm to vehicles electrical system always</b> disconnect battery before beginning installation. <b>DO NOT BURN</b> holes or <b>WELD</b> vehicle frame. This may cause frame failure.
--	---

**OVERHAUL and SERVICE INFORMATION** are covered on separate instructions.

Meyer Products and Diamond Equipment reserves the right, under its continuing product improvement program, to change construction or design details, specifications and prices without notice or without incurring any obligation.

Meyer Products Inc.  
18513 Euclid Ave. • Cleveland, Ohio 44112-1084  
Phone 486-1313 (Area Code 216)  
www.meyerproducts.com • email info@meyerproducts.com

Diamond Equipment  
6 Angell Lane • Damariscotta, ME 04543-4507  
Phone 563-2227 (Area Code 207)  
www.diamondplow.com • email info@diamondplow.com



## PARTS LIST

ITEM	PART NO.	QTY.	DESCRIPTION
	17143	1	<b>MOUNTING CARTON</b>
1	19378	1	• R.H. Hanger Weld
2	19379	1	• L.H. Hanger Weld
3	19380	1	• Underframe
	08814	1	• <b>HARDWARE BAG</b>
4	20096	6	•• Bolt H 1/2-13 x 1-3/4" Gr. 5
5	20141	6	•• Bolt H 5/8-11 x 2" Gr.5
6	20152	1	•• Bolt H 5/8-11 x 5" Gr.5
7	20307	6	•• Locknut Esna 1/2-13
8	20309	7	•• Locknut Esna 5/8-11
9	20310	2	•• Locknut Esna 3/4-10
10	20357	7	•• Flatwasher 5/8"
11	20359	2	•• Flatwasher 3/4"
12	19384	2	•• 3/4"-10 x 2-1/4" Handle Bolt
	21976	2	•• Battery Connector
*	19370	1	<b>Universal Clevis (Part of Plus CLF Carton)</b>
**	11770	1	<b>Universal Clevis (Part of MDII CLF Carton)</b>
<b>11" Sector</b>			<b>MEYER</b>
	<b>PART NO.</b>	<b>QTY</b>	<b>DESCRIPTION</b>
	16520	1	<b>Sector A-Frame Carton</b>

Parts indented are included in the carton, bag or assembly under which they are indented.

## IMPORTANT

After first use, retighten all mounting bolt connections to specified torque. All mounting bolt connections to be checked periodically for tightness.

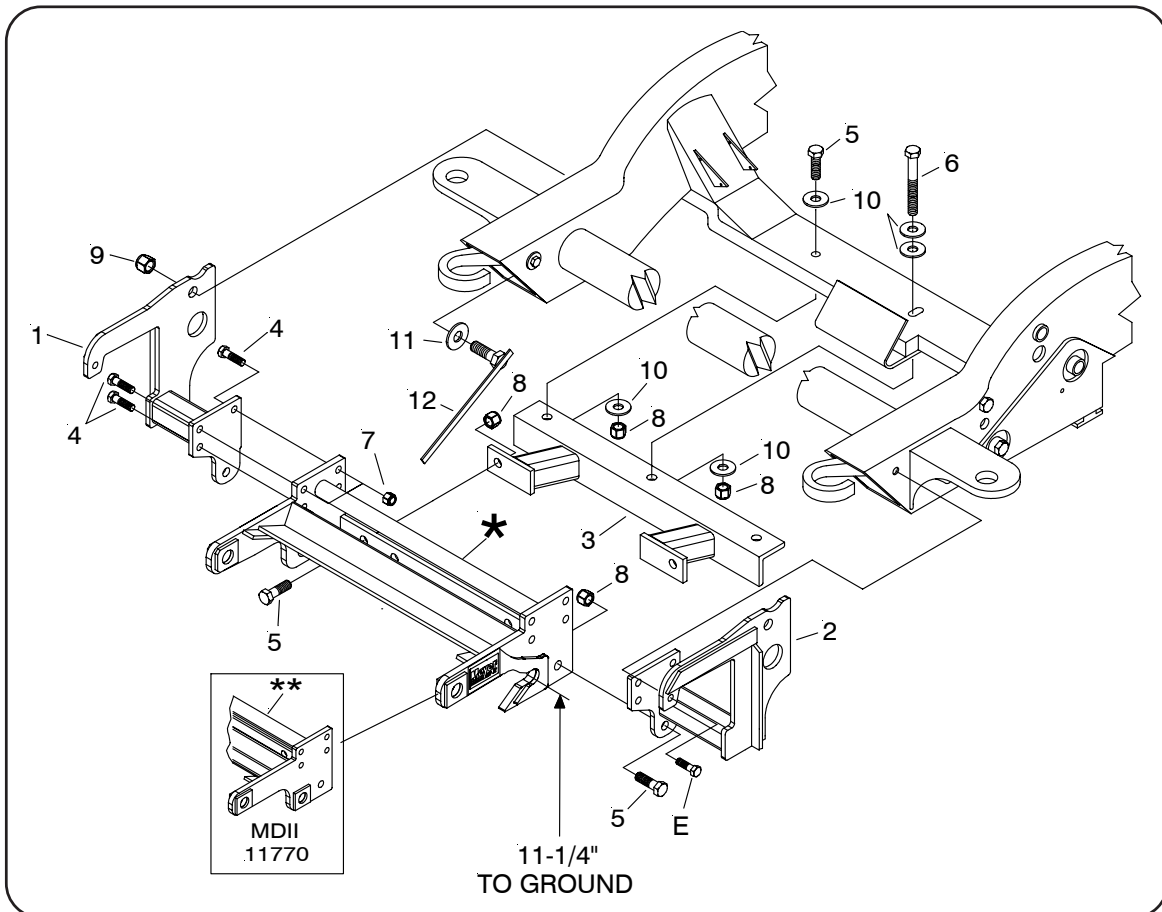
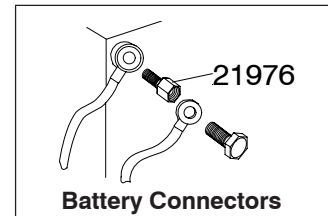
Locknuts are furnished **DO NOT** tighten bolts and nuts until installation is complete (unless otherwise specified), then be sure to tighten all attaching parts per specified torque chart.

## TORQUE CHART FOOT

Bolt Nut Size	Gr. 2	Gr. 5	Gr. 8
1/4 - 20	4 - 5		
5/16 - 18	9 - 11		
3/8 - 16	17 - 20	26 - 29	
7/16 - 14		42 - 46	60 - 66
1/2 - 13		64 - 72	90 - 100
5/8 - 11		127 - 141	179 - 198

### NOTE:

THIS MOUNTING CARTON CAN BE USED WITH THE MDII OR EZ MOUNT PLUS CLF CARTONS.



## VEHICLE RECOMMENDATIONS

### ⚠ WARNING

- Due to weight restrictions on vehicle's front GAWR, a STL-7.5 moldboard is the largest that can safely be installed on a Hummer H2.

### ⚠ WARNING

- Ballast weight is required and must be applied to the rear trailer hitch and inside the rear hatch of the vehicle (See paragraphs L & M) to insure the front/rear GAWR and GVWR are not exceeded:  
Front: 4000 lb.  
Rear: 5000 lb.  
Total GVWR: 8600 lb.

Rear ballast is determined by weighing a vehicle's front and rear axles and adding weight behind the rear axle until front axle weight is under or equal to the vehicle specific front GAWR while not exceeding the rear GAWR and GVWR.

Vehicle option packages may vary. If in doubt, it is always a good idea to weigh the vehicle to ensure all weight

## INSTALLATION INSTRUCTIONS

- Remove plastic caps on the top surface of the bumper. Remove the two bolts located under the caps. Retain hardware, it will be reinstalled.
- Remove two vertical bolts on the bottom side of the bumper. Retain hardware, it will be reinstalled. Remove bumper from truck while disconnecting fog lights plugs.
- Remove nine bolts holding on skidplate. Retain hardware and skidplate they will not be reinstalled.
- Remove towhook bolts (E) on the outside of frame rails only. Retain hardware, it will be reused.
- Position LH & RH Hangers (1&2) on the outside of frame rails and align front nose holes to where tow hook bolts (E) were removed. **Note: Hangers will need to be installed behind and over the radiator brackets in order to get in the proper position.** Attach Hanger's (1&2) front hole by reusing the bolts (E) from step D. **Snug all bolts during the installation. Do not torque any bolts until step I.**
- With hangers (1&2) loose, attach the Universal Clevis (\*) between them using 1/2-13 x 1-3/4" bolts (4), and 1/2-13 locknuts (7) in the upper three holes on each side. Then attach lower hole with a 5/8-11 x 2" Bolt (5), and 5/8-11 Locknut (8) on each side.

**Meyer Products or Diamond Equipment assumes no responsibility for installations not made in accordance with these instructions.**

- Attach rear hole on Hangers (1&2) by installing handle bolts (12) and 3/4" flatwashers under, and then behind towhooks to existing frame/mounting holes. Once bolts are through the frame and hangers (1&2) attach on the outside using a 3/4"-10 locknut (9) on each side.
  - Position underframe (3) behind universal clevis' bottom angle. Attach using a 5/8-11x 2" bolt (5), and 5/8-11 locknut (8) on each side. Attach underframe's rear angle to the vehicle crossmember's outer two holes by using 5/8-11x 2" bolts (5), 5/8 flatwashers (10), and 5/8-11 locknuts (8). **Note: Crossmember bolts (5) and washers (10) may need to be carefully installed from the sides of the crossmember under lower control arms.** Attach center hole using a 5/8-11x 5" bolt (6), 5/8" flatwashers (10), and 5/8-11 locknut (8). **Note: Bolt (6) is installed from the top of crossmember.**
- Note: Before tightening the fasteners, the Clevis Frame (\*) should be level with the ground and pushed back as far under the vehicle as possible.**
- Tighten all fasteners to their proper torque. Tighten bolts in the same order they were assembled to the vehicle.
  - Before reinstalling bumper a small cut must be made on both sides next to lower bumper mounting slots to allow fit over the clevis frame (\*). See picture below.



- Reinstall bumper using previous hardware that was removed in steps A/B. Also be sure to replugin fog lights. Reinstall plastic caps on the top of bumper.
- Install Ballast Kit (P/N 08828) into the 2" trailer receiver hitch (See Form 1-832). Load inside of cage to maximum tongue weight of 700 lbs. Sand or salt bags are suggested.

### ⚠ WARNING

**Be sure that load is secured while transporting.**

- Complete by installing 550 lbs inside of the rear storage area as close to the rear door as possible. Sand or salt bags are suggested.

### ⚠ WARNING

**Be sure that load is secured while transporting. With weight in place, be sure only driver and one passenger are in vehicle to avoid**