



## PARTS & INSTALLATION INSTRUCTIONS EZ MOUNT PLUS™

### SNOW PLOW MOUNTING CARTON 17160 2000 & LATER TOYOTA TUNDRA 4x4 MODELS

**VEHICLE MUST HAVE 3500 lb FRONT GROSS AXLE WEIGHT RATING (FGAWR)**

**Non-Commercial, Personal Use Only**

End user must be given this instruction sheet prior to delivery of Snow Plow.

#### SAFETY DEFINITIONS

	This is the safety alert symbol. It is used to alert you to potential personal injury hazards. Obey all safety messages that follow this symbol to avoid possible injury or death.
	<b>DANGER</b> Indicates an imminently hazardous situation which, if not avoided, will result in death or serious injury.
	<b>WARNING</b> Indicates a potentially hazardous situation which, if not avoided, could result in death or serious injury.
	<b>CAUTION</b> Indicates an potentially hazardous situation which, if not avoided, may result in minor or moderate injury.
	<b>CAUTION</b> used without the safety alert symbol indicates a potentially hazardous situation which, if not avoided, will result in property damage.

#### IMPORTANT NOTICE

In conjunction with FMVSS (Federal Motor Vehicle Safety Standards) and OEM (Original Equipment Manufacturer) guidelines, Meyer Products has designed this plow package with the following guidelines:

	Installation of a snowplow may effect your new vehicle warranty. For more information consult your Vehicle Owner's Manual / Vehicle Dealer.
--	---

	The vehicle must not be operated when overloaded. In all cases, the loaded vehicle weight, including the entire snowplow system, all aftermarket accessories, driver, passenger, options, nominal fluid levels, and cargo must not exceed the front/rear Gross Axle Weight Rating (GAWR), and total Gross Vehicle Weight Rating (GVWR). These weights ratings are specified on the safety compliance certification label on the driver's side door opening. The use of rear ballast weight may be required to prevent exceeding the front GAWR.
--	---

According to the NHTSA (National Highway Traffic Safety Administration) new and untitled vehicles need to be verified by the installer that snowplow and ballast (if needed) do no exceed the front/rear GAWR and total GVWR.

	Read the Meyer Owner's Manual before operating or servicing a snowplow. <b>FOLLOW THESE INSTRUCTIONS EXPLICITLY.</b>
--	--

#### GENERAL INFORMATION

	<b>SAFETY PRECAUTIONS</b> should be used when <b>Hydraulic Unit is in OPERATION</b> and plow is in a <b>RAISED</b> position. <b>Lower plow to ground when vehicle is PARKED in case of hydraulic failure.</b>
--	---

Check contents against the parts list to determine all are correct and included, and also to familiarize yourself with them.

	Warranty does not apply to a Meyer or Diamond product which has been negligently or improperly assembled or installed.
--	--

	<b>CAUTION: To avoid harm to vehicles electrical system always</b> disconnect battery before beginning installation. <b>DO NOT BURN</b> holes or <b>WELD</b> vehicle frame. This may cause frame failure.
--	---

**OVERHAUL and SERVICE INFORMATION** are covered on separate instructions.

Meyer Products and Diamond Equipment reserves the right, under its continuing product improvement program, to change construction or design details, specifications and prices without notice or without incurring any obligation.

Meyer Products LLC.  
18513 Euclid Ave. • Cleveland, Ohio 44112-1084  
Phone 486-1313 (Area Code 216)  
www.meyerproducts.com • email info@meyerproducts.com

Diamond Equipment  
6 Angell Lane • Damariscotta, ME 04543-4507  
Phone 563-2227 (Area Code 207)  
www.diamondplow.com • email info@diamondplow.com

## PARTS LIST

ITEM	PART NO.	QTY.	DESCRIPTION
	17160	1	<b>MOUNTING CARTON</b>
1	19610	1	• R.H. Mounting Weld
2	19611	1	• L.H. Mounting Weld
	08123	1	• <b>HARDWARE BAG</b>
3	19625	2	•• Spacer
4	20096	8	•• Bolt 1/2-13 x 1-3/4" Gr. 5
5	20140	2	•• Bolt 5/8-11 x 1-3/4" Gr. 5
6	20150	2	•• Bolt 5/8-11 x 4-1/2" Gr. 5
7	22138	4	•• Bolt 12mm-1.25P x 40mm
8	20307	8	•• Locknut Esna 1/2-13
9	20309	4	•• Locknut Esna 5/8-11
10	20354	4	•• Flatwasher 7/16"
11	20357	2	•• Flatwasher 5/8"
*	19370	1	<b>Universal Clevis (Part of Plus CLF Carton)</b>
**	11770	1	<b>Universal Clevis (Part of MDII CLF Carton)</b>
	<b>11" SAF</b>		<b>MEYER</b>
	PART NO.	QTY.	DESCRIPTION
	16520	1	<b>Sector A-Frame Carton</b>

Parts indented are included in the carton, bag or assembly under which they are indented.

### IMPORTANT

After first use, retighten all mounting bolt connections to specified torque. All mounting bolt connections to be checked periodically for tightness.

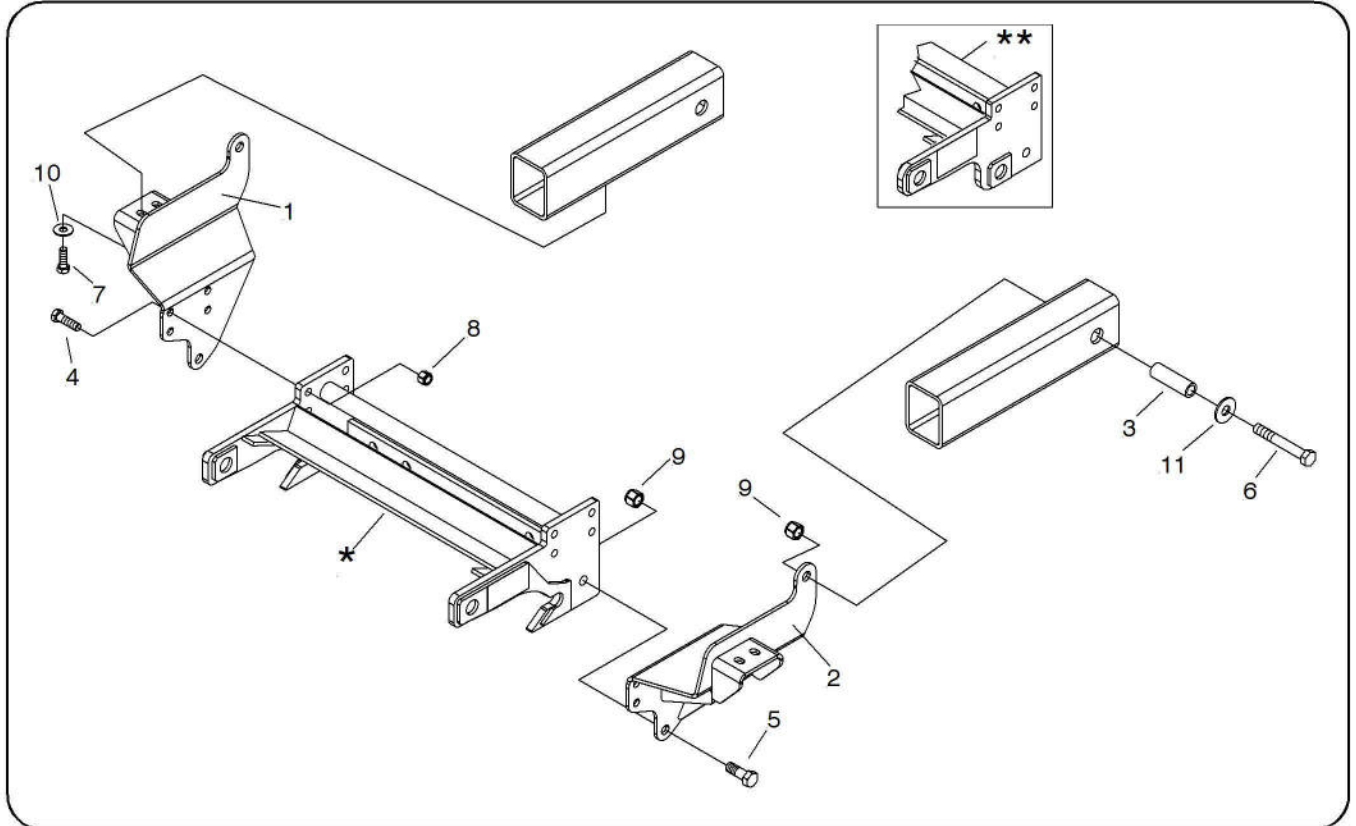
Locknuts are furnished **DO NOT** tighten bolts and nuts until installation is complete (unless otherwise specified), then be sure to tighten all attaching parts per specified torque chart.

### TORQUE CHART FOOT

Bolt Nut Size	Gr. 2	Gr. 5	Gr. 8
1/4 - 20	4 - 5		
5/16 - 18	9 - 11		
3/8 - 16	17 - 20	26 - 29	
7/16 - 14		42 - 46	60 - 66
1/2 - 13		64 - 72	90 - 100
5/8 - 11		127 - 141	179 - 198

#### NOTE:

THIS MOUNTING CARTON CAN BE USED WITH THE MDII OR EZ MOUNT PLUS CLF CARTONS.



## VEHICLE RECOMMENDATIONS

### WARNING

- Due to weight restrictions on these vehicle's front GAWR, a STL-7.5 moldboard is the largest that can safely be installed on a Toyota Tundra. The front GAWR must also be at least 3500 lbs as shown on the driver's side door sticker. Also limit to driver and one passenger only while plow is installed unless specified below.

### WARNING

- Ballast weight is required on all Toyota Tundra models. Ballast must be securely attached 9 inches from the rear tailgate on reg and ext cabs:  
**Regular Cab - 365 lbs w/ 2 occupants, 65 lbs w / driver only.**  
**Extended Cab - 600 lbs w/ driver only, no passengers.**  
**Double (Crew) Cab - 650 lbs using Ballast Kit (See Paragraph F.), w/ driver only**  
Salt or sand in bags are recommended as ballast.

- Front end wheel alignment and headlight aim may require readjustment after installation of equipment, and is the responsibility of the equipment installer. Failure to adjust front wheel alignment may cause premature uneven tire wear. If required, reset to chassis manufacture's specifications found in the Toyota Shop Manual.

Rear ballast is determined by weighing a vehicle's front and rear axles and adding weight behind the rear axle until front axle weight is under or equal to the vehicle specific front GAWR while not exceeding the rear GAWR and GVWR.

Vehicle option packages may vary. If in doubt, it is always a good idea to weigh the vehicle to ensure all weight ratings are not exceeded with plow in the raised position.

## INSTALLATION INSTRUCTIONS

- A. Remove Air Dams, Splash Shield, Tow Hooks and Tow Hook Angles from truck they will not be reused. Retain all hardware if reinstallation of towhooks is desired at a later time. **Note: Tow Hook Angle bolts may be reused.**
- B. Position Mounting Plate Weld LH (2) and Mounting Plate Weld RH (1) to the bottom of the vehicle frame. Align and attach front two holes, using 12mm – 1.25p x 40 mm bolts (7) and 7/16 Flat washers (10) to existing vehicle nut plates on each side.
- C. Install 5/8-11 x 4-1/2 bolts (6), 5/8 Flat washers (11), and Spacers (3) through the hole on the outside of vehicle frame attach the LH & RH Welds (1 & 2) rear hole on the inside of vehicle frame. Fasten with 5/8-11 locknut (9). **Note: snug all bolts during the installation. Do not torque down any bolts until step E.**
- D. Attach Mounting Plate Weld LH & RH (1 & 2) to the Universal Clevis (\*) using 1/2-13 x 1-3/4 bolts (4) and 1/2-13 locknuts (8) in the 4 upper holes. Also attach using 5/8-11 x 1-3/4 bolts (5) and 5/8-11 locknut (9) in the lower holes.  
**Note: before tightening the fasteners, the clevis (\*) should be level with the ground and pushed back as far under the vehicle as possible.**
- E. Tighten all fasteners to their proper torque. Tighten bolts in the same order they were assembled to the vehicle.
- F. **Double (Crew) Cab Models:**  
Install Ballast Kit (P/N 08828) into the 2" trailer receiver hitch (See form 1-832). Load inside of tray to 650 lbs. Be sure to check your hitch's max tongue weight to be sure it can handle 650 lbs. Salt or sand bags are suggested for weight.

### WARNING

**Be sure that load is secure while transporting. With ballast weight in place, be sure that only the driver is in vehicle while plowing to avoid overloading.**

- G. Install remaining snowplow hardware per separate instructions.

**Meyer Products or Diamond Equipment assumes no responsibility for installations not made in accordance with these instructions.**