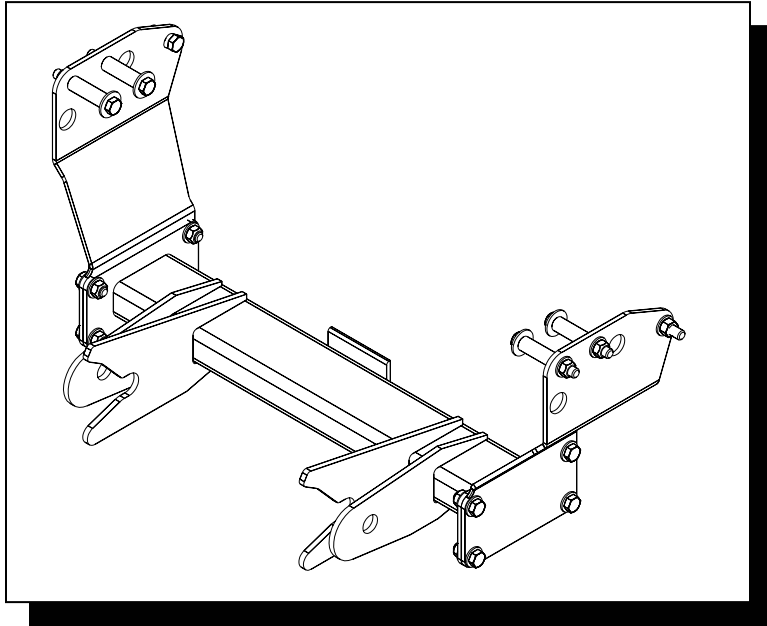




VEHICLE UNDERCARRIAGE INSTALLATION INSTRUCTIONS



UNDERCARRIAGE **32174**

HARDWARE KIT **61473**

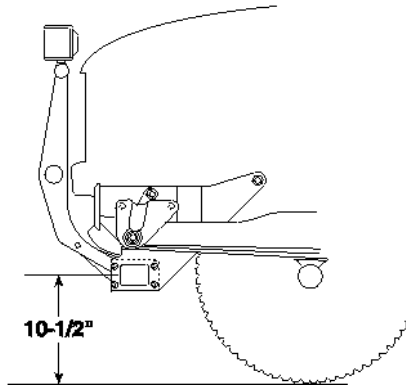
FOR MODELS:

JEEP WRANGLER YJ (1987-1996)

INSTALLATION INSTRUCTIONS



A label identifying the undercarriage assembly part number and push beam part number is applied to the rear of the push beam.



The recommended push beam height for this undercarriage assembly is 10-1/2" from the center of the push beam to level ground. DO NOT exceed 12-1/2" in height for this undercarriage.

WARNING: Always perform vehicle undercarriage installations with the keys removed from the vehicle's ignition. Properly tag the ignition switch to alert others work is being performed on the vehicle.

Most newer trucks are equipped with driver and passenger's side air bags. DO NOT remove, disable, or reposition any sensory equipment related to the safe operation of the air bags.

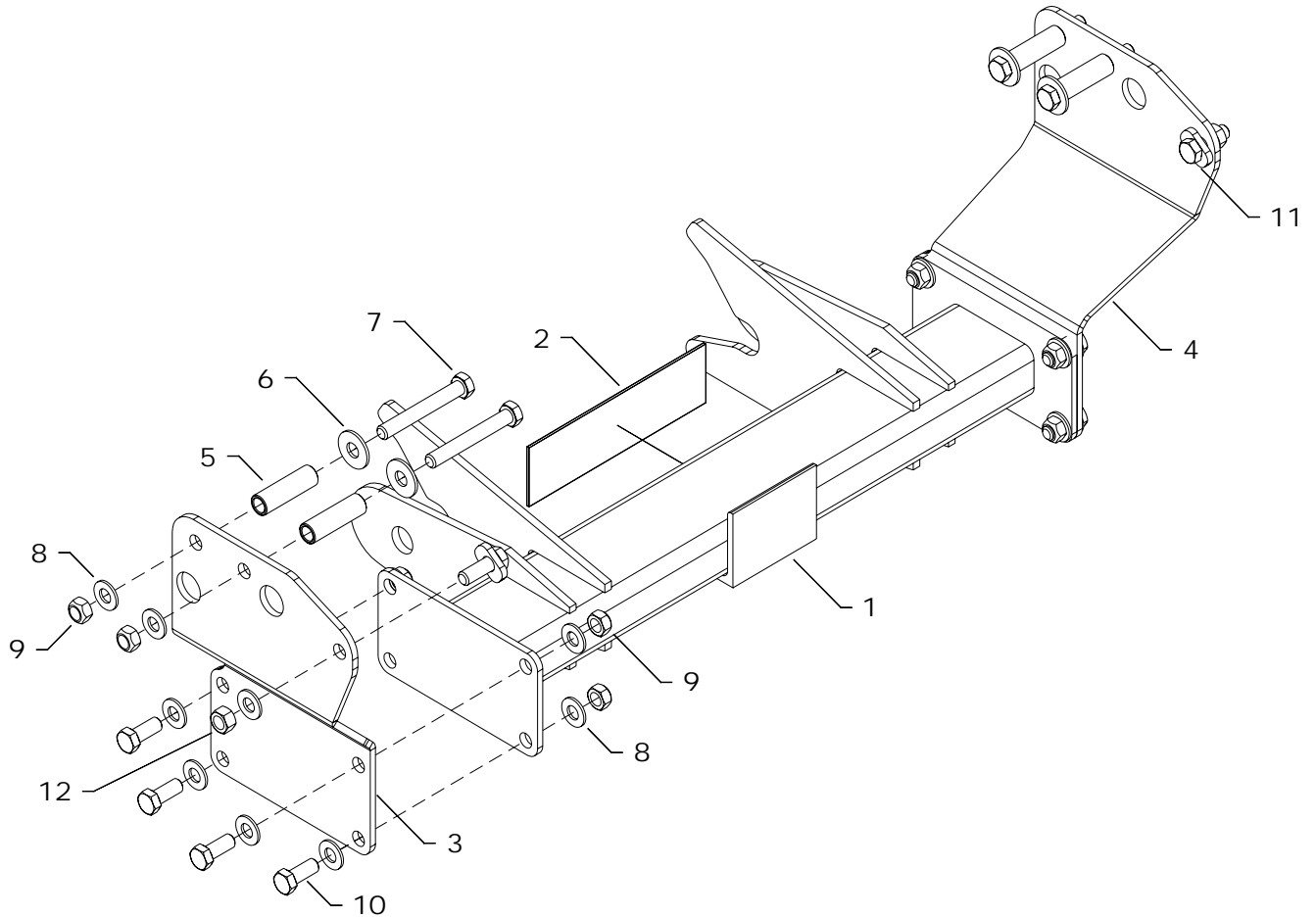
ALWAYS follow the vehicle manufacturer's recommendations for installing snowplowing equipment.

FAILURE TO COMPLY WITH THE ABOVE WARNINGS MAY RESULT IN SERIOUS INJURY OR DEATH.

CAUTION: If your vehicle is equipped with oversize tires, they may come into contact with the undercarriage hanger plates when turning the vehicle. Adjust steering stops if possible.

1. Position bushings (Ref 5) through the access holes , in the truck frame rail, located behind the bumper.
2. Place t-bolt (Ref 11) through the oval hole at the outside of the truck frame rail. *NOTE: Mark the thread end of each t-bolt to indicate which direction the "T" will face when it is installed inside of the frame rail.* Align the rear hole on the hanger plates (Ref 3 & 4) with the t-bolt on the outside of the truck frame rail. Secure with washers (Ref 8) and nuts (Ref 12). *NOTE: The hanger plates are installed between the truck frame rail and leaf springs.* Finger tighten the fasteners until all undercarriage parts are in place.
3. Insert bolts (Ref 7) with washers (Ref 6) through the bushings into the top mount holes on each hanger plate. Secure with washers (Ref 8) and nuts (Ref 9). *NOTE: The holes in the drivers side hanger plate install over the mount bolts for the steering pump.*
4. Mount the push beam (Ref 1) square with the bottom of each hanger plate using bolts (Ref 10), washers (Ref 8) and nuts (Ref 9). Tighten the pushbeam hardware to torque specifications.
5. Level the pushbeam with the floor and tighten remaining hardware to torque specifications. Use a medium threadlocker, such as Loctite®242®, to secure all non-locking nuts. Verify t-bolts are positioned with the "t" perpendicular to the slot in the frame.
6. This undercarriage does **not** contain mount pockets for a light tower to be installed. When the snowplow is its highest position, the vehicle headlights clear the raised plow. No light tower or plow headlights are needed for this installation.

UNDERCARRIAGE PARTS



REF	PN	QTY	DESCRIPTION	NOTES
-	32013	1	Asm, Undercarriage	INCLUDES 1-12
-	61473	1	Kit, Hardware Dodge UC	INCLUDES 5-12
1	32175	1	Weldment, Push Beam	
2	61128	1	Decal, Push Beam 1-1/2" x 9"	
3	32177	1	Plate, Hanger Drivers	
4	32178	1	Plate, Hanger Pass.	
5	32098	4	Bushing, .53I.D. x .75O.D. x 2-1/2"	
6	61027	4	Washer, 1/2" USS Hardened	
7	61472	4	Screw, 1/2-13 x 3-3/4" HHCS GR8 YZ	
8	61026	22	Washer, 1/2" SAE Hardened	
9	61020	12	Nut, 1/2-13 Top Lock Z	
10	61057	8	Screw, 1/2-13 x 1-1/4" HHCS GR8 YZ	
11	32137	2	T-Bolt Weldment, 1/2-13 x 1-1/2" HHCS GR8 YZ	
12	61492	2	Nut, 1/2-13 Hex Top Lock Z	

Note: The reference numbers listed identify parts shown in the illustration above. These numbers are specific to this illustration only. Always review the part number given for proper component identification. Blizzard Corporation reserves the right, under its Continuous Improvement Policy, to change construction or design details and furnish equipment when so altered without reference to illustrations or specifications.

HEADLIGHT ADAPTER KIT GUIDE

VEHICLE APPLICATION	HEADLIGHT CONNECTOR	HEADLIGHT DESCRIPTION	HEADLIGHT NUMBERS	ADAPTER KIT
1987-1996 JEEP WRANGLER YJ	2B/2D	DUAL RECTANGULAR OR DUAL ROUND HEADLAMP	6014, H6024, H6059, 6052, H6054, HP6054	62010

Note: Headlight adapter kits are not included with vehicle undercarriages. All headlight adapter kits sold separately.

TORQUE SPECIFICATIONS (For reference only)



Grade Identification Marking for J429-Grade 5 Bolt



Grade Identification Marking for J429-Grade 8 Bolt

Nominal Thread Size	SAE J429 – Grade 5			Nominal Thread Size	SAE J429 – Grade 8		
	Clamp Loads (lbs)	Tightening Torque			Clamp Loads (lbs)	Tightening Torque	
		“Lubricated”	“Dry”			“Lubricated”	“Dry”
1/4-20	2,000	6 ft-lbs	8 ft-lbs	1/4-20	2,850	9 ft-lbs	12 ft-lbs
5/16-18	3,350	13 ft-lbs	18 ft-lbs	5/16-18	4,700	18 ft-lbs	25 ft-lbs
3/8-16	4,950	23 ft-lbs	31 ft-lbs	3/8-16	6,950	32 ft-lbs	44 ft-lbs
7/16-14	6,800	37 ft-lbs	50 ft-lbs	7/16-14	9,600	53 ft-lbs	70 ft-lbs
1/2-13	9,050	57 ft-lbs	75 ft-lbs	1/2-13	12,800	80 ft-lbs	107 ft-lbs
9/16-12	11,600	82 ft-lbs	109 ft-lbs	9/16-12	16,400	115 ft-lbs	154 ft-lbs
5/8-11	14,500	113 ft-lbs	151 ft-lbs	5/8-11	20,300	159 ft-lbs	211 ft-lbs
3/4-10	21,300	200 ft-lbs	266 ft-lbs	3/4-10	30,100	282 ft-lbs	376 ft-lbs
7/8-9	29,435	321 ft-lbs	430 ft-lbs	7/8-9	41,550	454 ft-lbs	606 ft-lbs
1-8	38,600	482 ft-lbs	640 ft-lbs	1-8	54,540	680 ft-lbs	900 ft-lbs



Grade Identification Marking for Metric-Grade 8.8 Bolt



Grade Identification Marking for Metric-Grade 10.9 Bolt

Diameter (mm)	Metric Class 8.8			Diameter (mm)	Metric Class 10.9		
	Clamp Loads (Pounds)	Tightening Torque			Clamp Loads (Pounds)	Tightening Torque	
		“Lubricated”	“Dry”			“Lubricated”	“Dry”
5	1,389	3 ft-lbs	5 ft-lbs	5	1,987	5 ft-lbs	7 ft-lbs
6	1,965	6 ft-lbs	8 ft-lbs	6	2,812	8 ft-lbs	11 ft-lbs
7	2,826	10 ft-lbs	13 ft-lbs	7	4,044	14 ft-lbs	19 ft-lbs
8	3,579	14 ft-lbs	19 ft-lbs	8	5,121	20 ft-lbs	27 ft-lbs
10	5,672	28 ft-lbs	37 ft-lbs	10	8,116	40 ft-lbs	53 ft-lbs
12	8,243	49 ft-lbs	65 ft-lbs	12	11,796	70 ft-lbs	92 ft-lbs
14	11,246	77 ft-lbs	103 ft-lbs	14	16,092	111 ft-lbs	148 ft-lbs
16	15,882	125 ft-lbs	167 ft-lbs	16	21,970	173 ft-lbs	231 ft-lbs
18	19,423	172 ft-lbs	229 ft-lbs	18	26,868	238 ft-lbs	317 ft-lbs
20	24,784	244 ft-lbs	325 ft-lbs	20	34,284	338 ft-lbs	450 ft-lbs