



B30014

UNDERCARRIAGE KIT

Model 720LT

GM K1500

2007 -

Parts List and Installation Instructions

⚠ CAUTION

Read this document before installing the snowplow.

⚠ CAUTION

See your BLIZZARD® outlet/Web site for specific vehicle application recommendations before installation. The Undercarriage Selection Guide has specific vehicle and snowplow requirements.

SAFETY

SAFETY DEFINITIONS

WARNING

Indicates a potentially hazardous situation that, if not avoided, could result in death or serious personal injury.

CAUTION

Indicates a potentially hazardous situation that, if not avoided, may result in minor or moderate injury. It may also be used to alert against unsafe practices.

NOTE: Indicates a situation or action that can lead to damage to your snowplow and vehicle or other property. Other useful information can also be described.

SAFETY

SAFETY PRECAUTIONS

Improper installation and operation could cause personal injury, and/or equipment and property damage. Read and understand labels and the *Owner's Manual* before installing, operating or making adjustments.

⚠ WARNING

Lower blade when vehicle is parked. Temperature changes could change hydraulic pressure, causing the blade to drop unexpectedly or damaging hydraulic components. Failure to do this could result in serious personal injury.

⚠ WARNING

The driver shall keep bystanders clear of the blade when it is being raised, lowered or angled. Do not stand between the vehicle and the blade or within 8 feet of a moving blade. A moving or falling blade could cause personal injury.

⚠ WARNING

Keep hands and feet clear of the blade and A-frame when mounting or dismounting the snowplow. Moving or falling assemblies could cause personal injury.

⚠ WARNING

Do not exceed GVWR or GAWR including the blade and ballast. The rating label is found on the driver-side vehicle door cornerpost.

⚠ WARNING

Remove blade assembly before placing vehicle on hoist.

⚠ CAUTION

Refer to the Undercarriage Selection Guide for minimum vehicle recommendations and ballast requirements.

⚠ CAUTION

To prevent accidental movement of the blade, always turn the ON/OFF switch to OFF whenever the snowplow is not in use. The control indicator light will turn off.

PERSONAL SAFETY

- Remove ignition key and put the vehicle in park or in gear to prevent others from starting the vehicle during installation or service.
- Wear only snug-fitting clothing while working on your vehicle or snowplow.
- Do not wear jewelry or a necktie, and secure long hair.
- Wear safety goggles to protect your eyes from battery acid, gasoline, dirt and dust.
- Avoid touching hot surfaces such as the engine, radiator, hoses and exhaust pipes.
- Always have a fire extinguisher rated BC handy, for flammable liquids and electrical fires.

FIRE AND EXPLOSION

⚠ WARNING

Gasoline is highly flammable and gasoline vapor is explosive. Never smoke while working on vehicle. Keep all open flames away from gasoline tank and lines. Wipe up any spilled gasoline immediately.

Be careful when using gasoline. Do not use gasoline to clean parts. Store only in approved containers away from sources of heat or flame.

VENTILATION

⚠ WARNING

Vehicle exhaust contains lethal fumes. Breathing these fumes, even in low concentrations, can cause death. Never operate a vehicle in an enclosed area without venting exhaust to the outside.

TORQUE SPECIFICATIONS

TORQUE CHART

⚠ CAUTION

Read instructions before assembling. Fasteners should be finger tight until instructed to tighten according to the torque chart. Use standard methods and practices when attaching snowplow including proper personal protective safety equipment.



Grade Identification for J429–Grade 5 Bolt



Grade Identification for J429–Grade 8 Bolt

| SAE J429 Grade 5 Torque Values | | | | SAE J429 Grade 8 Torque Values | | | |
|--------------------------------|-------------------|-------------------|------------|--------------------------------|-------------------|-------------------|------------|
| Nominal Thread Size | Clamp Loads (lbs) | Tightening Torque | | Nominal Thread Size | Clamp Loads (lbs) | Tightening Torque | |
| | | "Lubricated" | "Dry" | | | "Lubricated" | "Dry" |
| 1/4-20 | 2,000 | 6 ft-lbs | 8 ft-lbs | 1/4-20 | 2,850 | 9 ft-lbs | 12 ft-lbs |
| 5/16-18 | 3,350 | 13 ft-lbs | 18 ft-lbs | 5/16-18 | 4,700 | 18 ft-lbs | 25 ft-lbs |
| 3/8-16 | 4,950 | 23 ft-lbs | 31 ft-lbs | 3/8-16 | 6,950 | 32 ft-lbs | 44 ft-lbs |
| 7/16-14 | 6,800 | 37 ft-lbs | 50 ft-lbs | 7/16-14 | 9,600 | 53 ft-lbs | 70 ft-lbs |
| 1/2-13 | 9,050 | 57 ft-lbs | 75 ft-lbs | 1/2-13 | 12,800 | 80 ft-lbs | 107 ft-lbs |
| 9/16-12 | 11,600 | 82 ft-lbs | 109 ft-lbs | 9/16-12 | 16,400 | 115 ft-lbs | 154 ft-lbs |
| 5/8-11 | 14,500 | 113 ft-lbs | 151 ft-lbs | 5/8-11 | 20,300 | 159 ft-lbs | 211 ft-lbs |
| 3/4-10 | 21,300 | 200 ft-lbs | 266 ft-lbs | 3/4-10 | 30,100 | 282 ft-lbs | 376 ft-lbs |
| 7/8-9 | 29,435 | 321 ft-lbs | 430 ft-lbs | 7/8-9 | 41,550 | 454 ft-lbs | 606 ft-lbs |
| 1-8 | 38,600 | 482 ft-lbs | 640 ft-lbs | 1-8 | 54,540 | 680 ft-lbs | 900 ft-lbs |



Grade Identification for Metric–Grade 8.8 Bolt



Grade Identification for Metric–Grade 10.9 Bolt

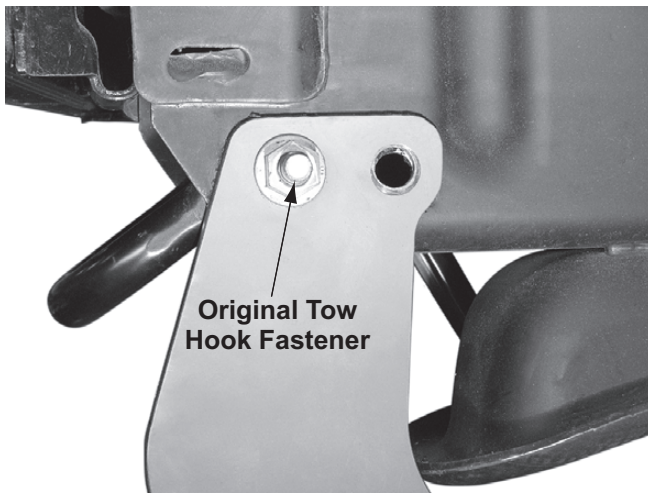
| Metric Class 8.8 Torque Values | | | | Metric Class 10.9 Torque Values | | | |
|--------------------------------|-------------------|-------------------|------------|---------------------------------|-------------------|-------------------|------------|
| Diameter (mm) | Clamp Loads (lbs) | Tightening Torque | | Diameter (mm) | Clamp Loads (lbs) | Tightening Torque | |
| | | "Lubricated" | "Dry" | | | "Lubricated" | "Dry" |
| 5 | 1,389 | 3 ft-lbs | 5 ft-lbs | 5 | 1,987 | 5 ft-lbs | 7 ft-lbs |
| 6 | 1,965 | 6 ft-lbs | 8 ft-lbs | 6 | 2,812 | 8 ft-lbs | 11 ft-lbs |
| 7 | 2,826 | 10 ft-lbs | 13 ft-lbs | 7 | 4,044 | 14 ft-lbs | 19 ft-lbs |
| 8 | 3,579 | 14 ft-lbs | 19 ft-lbs | 8 | 5,121 | 20 ft-lbs | 27 ft-lbs |
| 10 | 5,672 | 28 ft-lbs | 37 ft-lbs | 10 | 8,116 | 40 ft-lbs | 53 ft-lbs |
| 12 | 8,243 | 49 ft-lbs | 65 ft-lbs | 12 | 11,796 | 70 ft-lbs | 92 ft-lbs |
| 14 | 11,246 | 77 ft-lbs | 103 ft-lbs | 14 | 16,092 | 111 ft-lbs | 148 ft-lbs |
| 16 | 15,882 | 125 ft-lbs | 167 ft-lbs | 16 | 21,970 | 173 ft-lbs | 231 ft-lbs |
| 18 | 19,423 | 172 ft-lbs | 229 ft-lbs | 18 | 26,868 | 238 ft-lbs | 317 ft-lbs |
| 20 | 24,784 | 244 ft-lbs | 325 ft-lbs | 20 | 34,284 | 338 ft-lbs | 450 ft-lbs |

UNDERCARRIAGE INSTALLATION

INSTALLATION INSTRUCTIONS

NOTE: For easier assembly and installation, vehicle and all snowplow components should be on a smooth, level, hard surface, such as concrete.

1. Remove the air dam from the lower plastic portion of the bumper. Retain air dam and fasteners for future use if hanger plates are removed from vehicle.
2. Remove the lower plastic portion of the bumper from the vehicle. Retain fasteners.
3. Remove the splash shield. Retain fasteners.
4. On the passenger side of the vehicle, remove the front tow hook locknut. Align the front hole in the passenger-side hanger plate with the front tow hook cap screw, then reinstall the tow hook locknut to attach the hanger plate to the truck frame.

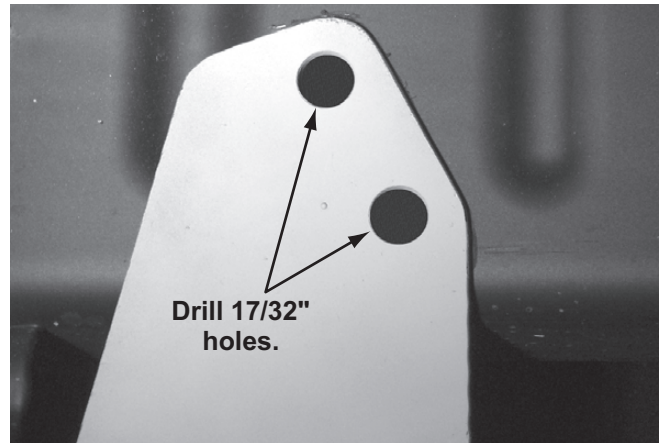


5. Rotate the passenger-side hanger plate back, and push it tight up against the bottom of the frame. Clamp the hanger plate in place against the frame.

⚠ CAUTION

Use caution not to pinch, cut or drill through any wires or hoses running along the frame rails.

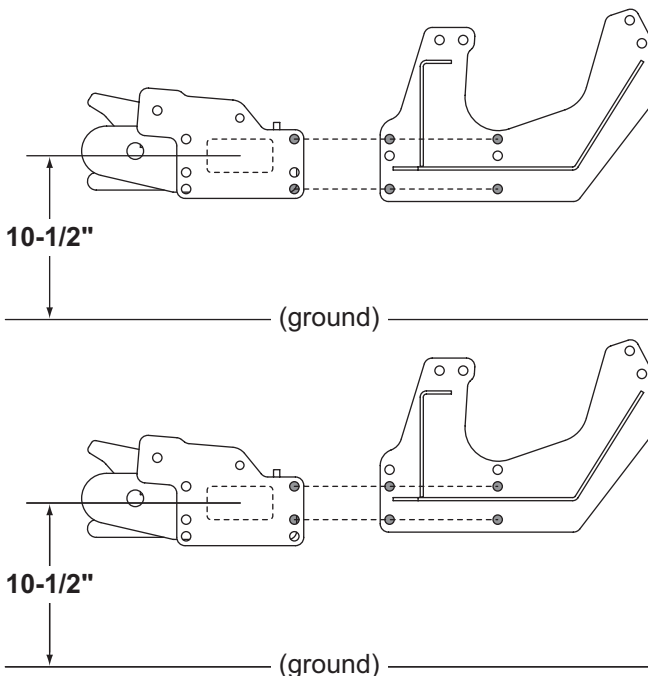
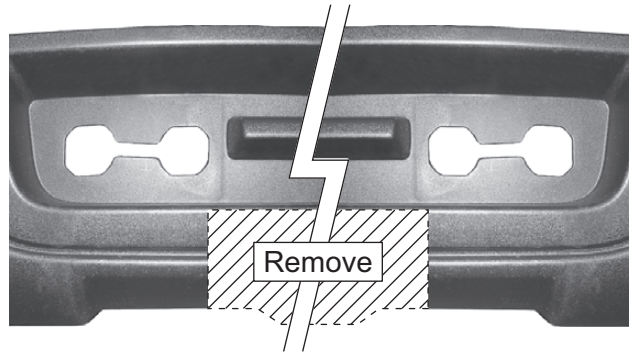
6. Using the holes in the passenger-side hanger plate as guides, drill three 17/32" holes into the frame.



7. Insert two 1/2" x 1-1/4" cap screws with handles and 1/2" flat washers into the inside of the truck frame and out through the rear drilled holes. Attach a 1/2" locknut to each cap screw and hand tighten.
8. Completely remove the passenger-side tow hook. Retain fasteners.
9. Insert one 1/2" x 1-1/4" cap screw and 1/2" flat washer into the front of the truck frame and out through the rear hole in the front arm of the hanger plate. Attach a 1/2" locknut, and hand tighten.

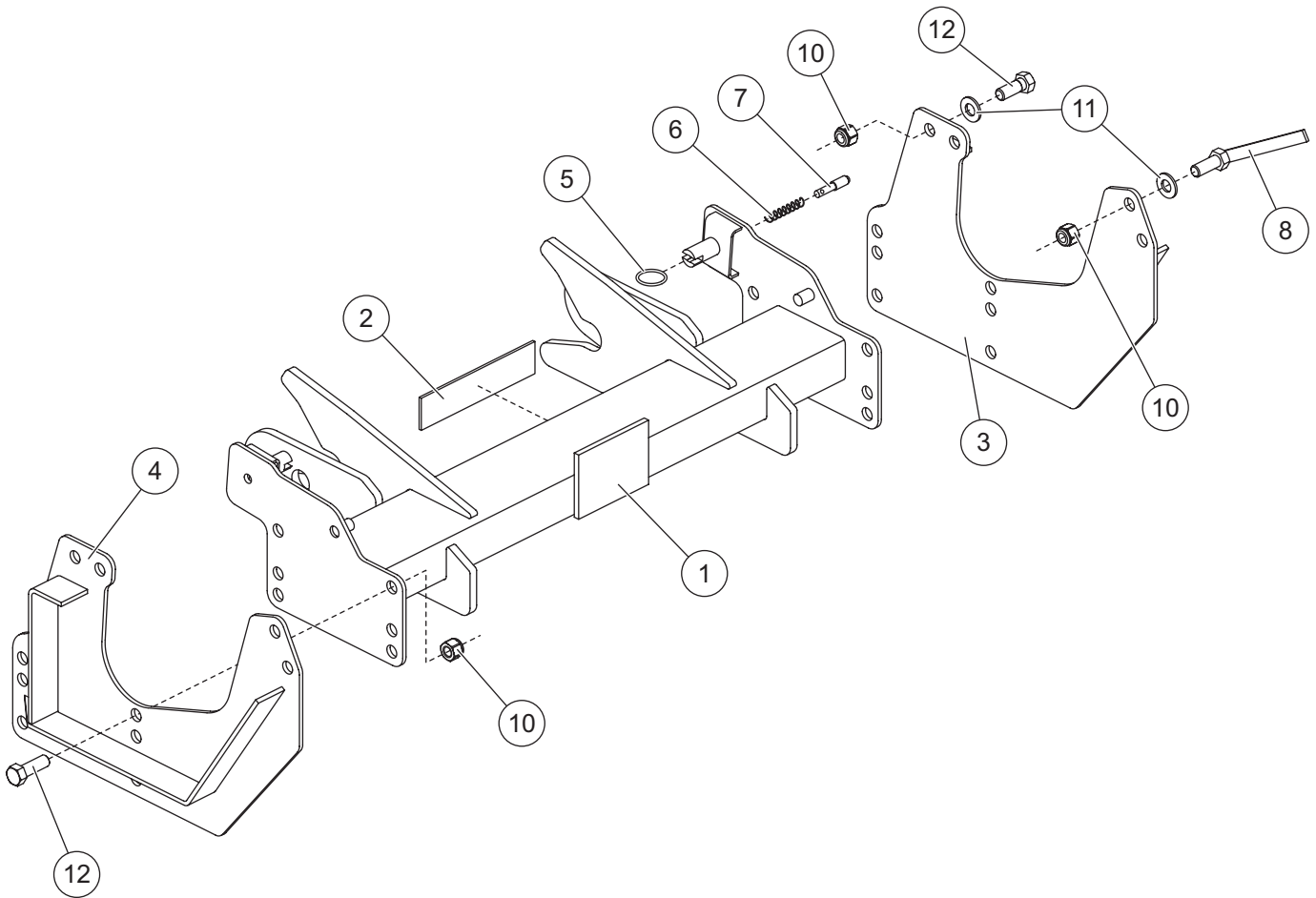
UNDERCARRIAGE INSTALLATION

10. Reinstall the passenger-side tow hook using the original fasteners. Remove the clamp from the hanger plate.
11. On the driver side of the vehicle, completely remove and retain the tow hook fasteners.
12. Align the front holes in the driver-side hanger plate with the tow hook holes in the truck frame. Reinstall the tow hook fasteners, attaching both the tow hook and the driver-side hanger plate to the truck frame.
13. Make sure the driver-side hanger plate is tight up against the bottom of the frame. Clamp the hanger plate in place against the frame.
14. Using the holes in the driver-side hanger plate as guides, drill two 17/32" holes into the frame.
15. Insert two 1/2" x 1-1/4" cap screws with handles and 1/2" flat washers into the inside of the truck frame and out through the rear drilled holes. Attach a 1/2" locknut to each cap screw and hand tighten. Remove the clamp from the hanger plate.
16. Align four holes on each side of the pushbeam with the holes in the hanger plates. Choose the set of holes that will bring the pushbeam closest to the dimension shown in the following illustration.
17. Attach the pushbeam to the hanger plates using eight 1/2" x 1-1/4" cap screws. Place a 1/2" locknut on each cap screw, and fully tighten according to the torque chart.
18. Push the hanger plates tight up against the truck frame, then fully tighten the fasteners securing the hanger plates and tow hooks to the frame rails according to the torque chart.
19. Reattach the splash shield using the original fasteners.
20. If the lower plastic portion of the bumper does not clear the pushbeam, notch as needed.
21. Reattach the lower plastic portion of the bumper using the original fasteners.



NOTE: After five to ten hours of snowplow usage, retorque all undercarriage assembly fasteners.

UNDERCARRIAGE PARTS LIST



| B30014 Undercarriage Kit | | | | | | | |
|---------------------------------|--------|-----|--------------------------|----------------|--------|-----|---|
| Item | Part | Qty | Description | Item | Part | Qty | Description |
| 1 | B30238 | 1 | Pushbeam – 720LT | 6 | B61000 | 2 | Compression Spring |
| 2 | B63162 | 1 | Pushbeam Decal | 7 | B40079 | 2 | A-Frame Latch Pin |
| 3 | 29494 | 1 | Hanger Plate – PS | 8 | 21316 | 4 | 1/2-13 x 1-1/4 Hex Cap Screw G5 with Handle |
| 4 | 29496 | 1 | Hanger Plate – DS | ns | B30230 | 1 | Hardware Kit |
| 5 | B61309 | 2 | Split Ring, 1.25 OD | | | | |
| B30230 Hardware Kit | | | | | | | |
| 10 | 91335 | 13 | 1/2-13 Hex Locknut GB | 12 | 90575 | 9 | 1/2-13 x 1-1/4 Hex Cap Screw G5 |
| 11 | 90572 | 5 | 1/2 Hardened Flat Washer | | | | |
| G = Grade | | | | ns = not shown | | | |



Blizzard
P.O. Box 245038
Milwaukee, WI 53224-9538
www.blizzardplows.com

 A DIVISION OF DOUGLAS DYNAMICS, L.L.C.

Copyright © 2006 Douglas Dynamics, L.L.C. All rights reserved. This material may not be reproduced or copied, in whole or in part, in any printed, mechanical, electronic, film or other distribution and storage media, without the written consent of Blizzard. Authorization to photocopy items for internal or personal use by Blizzard outlets or snowplow owner is granted.

Blizzard reserves the right under its product improvement policy to change construction or design details and furnish equipment when so altered without reference to illustrations or specifications used. Blizzard or the vehicle manufacturer may require or recommend optional equipment for snow removal. Do not exceed vehicle ratings with a snowplow. Blizzard offers a limited warranty for all snowplows and accessories. See separately printed page for this important information. The following is a registered (®) trademark of Douglas Dynamics, L.L.C.: BLIZZARD®.

Printed in U.S.A.