



B35124

UNDERCARRIAGE KIT

Kubota RTV900 and 1140 4X4 2009 -

Installation Instructions

⚠ CAUTION

Read this document before installing the snowplow.

⚠ CAUTION

See your BLIZZARD® outlet/Web site for specific vehicle application recommendations before installation. The Undercarriage Selection Guide has specific vehicle and snowplow requirements.

SAFETY

SAFETY DEFINITIONS

⚠ WARNING

Indicates a potentially hazardous situation that, if not avoided, could result in death or serious personal injury.

⚠ CAUTION

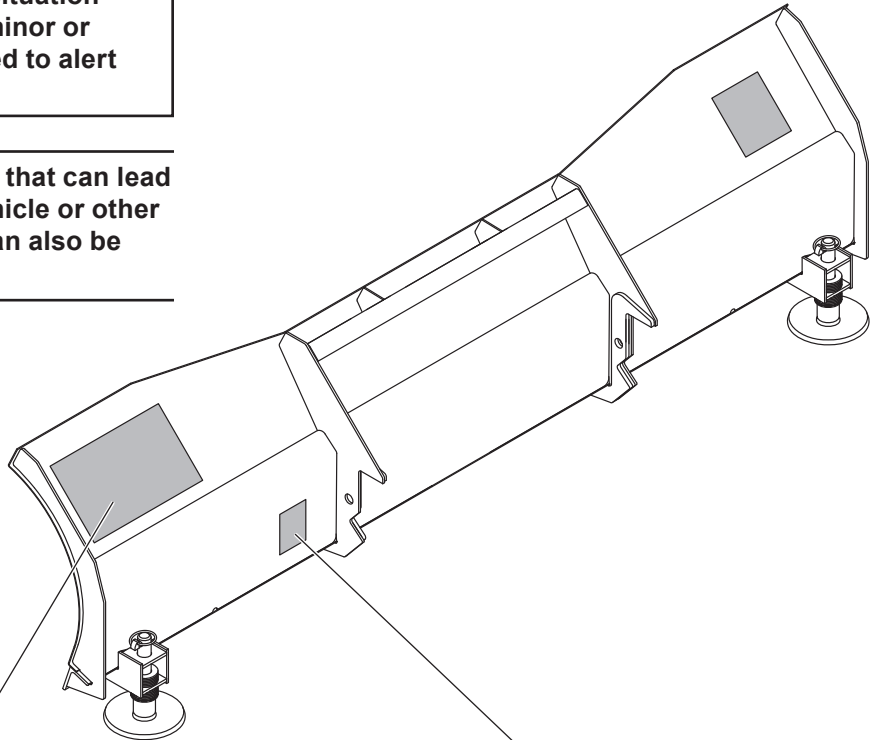
Indicates a potentially hazardous situation that, if not avoided, may result in minor or moderate injury. It may also be used to alert against unsafe practices.

NOTE: Indicates a situation or action that can lead to damage to your snowplow and vehicle or other property. Other useful information can also be described.

WARNING/CAUTION & INSTRUCTION LABELS

Become familiar with and inform users about the warning and instruction labels on the back of the blade.

NOTE: If labels are missing or cannot be read, see your sales outlet.



| ATTACH | ⚠ WARNING: Keep fingers away from snowplow and truck attachment points. POWER HITCH™ arm raises behind undercarriage pushbeam. | DETACH |
|--|--|---|
| <ol style="list-style-type: none"> Slowly drive vehicle forward to engage mount adapter into A-frame. Turn power switch to center or "OFF" position. Plug in electrical harnesses. Push and hold power switch RIGHT and push UP and hold arm/blade operation switch. Arm will engage mount adapter and pull snowplow towards vehicle. Install both hitch pins. Hitch pin is fully engaged when pin handle is against the pin guide plate. While holding power switch RIGHT, push DOWN and hold arm/blade operation switch. Arm will disengage mount adapter to relieve tension on the stand. Pull and raise the stand until the stand pin seats into upper hole on the A-frame. Turn power switch to left or "Flowing" position. | <p>Read Owner's Manual for Complete Instructions.</p> | <ol style="list-style-type: none"> Lower snowplow onto ground with blade straight. Turn plow control in cab to "OFF" position. Turn power switch to center or "OFF" position. While holding the power switch RIGHT, push DOWN and hold the arm/blade operation switch. Arm will disengage mount adapter to relieve tension on the stand. Pull and lower the stand until stand pin seats into lower hole on the A-frame and stand and light tower side plates contact. Push and hold power switch RIGHT and push UP the arm/blade operation switch. Arm will engage mount adapter and pull snowplow tightly to vehicle. Remove both hitch pins. While holding power switch RIGHT, push DOWN and hold arm/blade operation switch to fully lower arm. Unplug electrical harnesses. |
| <p>U.S. Patents 5,420,480; 5,638,615; 5,899,007; 6,178,669; 6,253,470; 6,276,076; 6,393,737; 6,408,549; 6,412,199; 6,442,877; 6,615,513; 7,134,227; RE 35,700; 4828 CAN Patents 2,060,425; 2,194,922; 2,220,763; 2,253,503; 2,353,145; 2,358,324; 2,469,195; and other patents pending.</p> | | |

SAFETY

SAFETY PRECAUTIONS

Improper installation and operation could cause personal injury and/or equipment and property damage. Read and understand labels and the Owner's Manual before installing, operating or making adjustments.

⚠ WARNING

Lower blade when vehicle is parked. Temperature changes could change hydraulic pressure, causing the blade to drop unexpectedly or damaging hydraulic components. Failure to do this could result in serious personal injury.

⚠ WARNING

The driver shall keep bystanders clear of the blade when it is being raised, lowered or angled. Do not stand between the vehicle and the blade or within 8 feet of a moving blade. A moving or falling blade could cause personal injury.

⚠ WARNING

Keep hands and feet clear of the blade and A-frame when mounting or removing the snowplow. Moving or falling assemblies could cause personal injury.

⚠ WARNING

Do not exceed GVWR or GAWR including the blade and ballast. The rating label is found on the driver-side vehicle door cornerpost.

⚠ WARNING

To prevent accidental movement of the blade, always turn the ON/OFF switch to OFF whenever the snowplow is not in use. The control indicator light will turn off.

⚠ WARNING

Remove blade assembly before placing vehicle on hoist.

⚠ CAUTION

Refer to the Undercarriage Selection Guide for minimum vehicle recommendations and ballast requirements.

PERSONAL SAFETY

- Remove ignition key and put the vehicle in park or in gear to prevent others from starting the vehicle during installation or service.
- Wear only snug-fitting clothing while working on your vehicle or snowplow.
- Do not wear jewelry or a necktie, and secure long hair.
- Wear safety goggles to protect your eyes from battery acid, gasoline, dirt and dust.
- Avoid touching hot surfaces such as the engine, radiator, hoses and exhaust pipes.
- Always have a fire extinguisher rated BC handy, for flammable liquids and electrical fires.

FIRE AND EXPLOSION

⚠ WARNING

Gasoline is highly flammable and gasoline vapor is explosive. Never smoke while working on vehicle. Keep all open flames away from gasoline tank and lines. Wipe up any spilled gasoline immediately.

Be careful when using gasoline. Do not use gasoline to clean parts. Store only in approved containers away from sources of heat or flame.

CELL PHONES

A driver's first responsibility is the safe operation of the vehicle. The most important thing you can do to prevent a crash is to avoid distractions and pay attention to the road. Wait until it is safe to operate Mobile Communication Equipment such as cell phones or two-way radios.

VENTILATION

⚠ WARNING

Vehicle exhaust contains lethal fumes. Breathing these fumes, even in low concentrations, can cause death. Never operate a vehicle in an enclosed area without venting exhaust to the outside.

TORQUE SPECIFICATIONS

TORQUE CHART

⚠ CAUTION

Read instructions before assembling. Fasteners should be finger tight until instructed to tighten according to the torque chart. Use standard methods and practices when attaching snowplow including proper personal protective safety equipment.



Grade Identification for J429–Grade 5 Bolt



Grade Identification for J429–Grade 8 Bolt

| SAE J429 Grade 5 Torque Values | | | | SAE J429 Grade 8 Torque Values | | | |
|--------------------------------|------------------|-------------------|-----------|--------------------------------|------------------|-------------------|-----------|
| Nominal Thread Size | Clamp Loads (lb) | Tightening Torque | | Nominal Thread Size | Clamp Loads (lb) | Tightening Torque | |
| | | "Lubricated" | "Dry" | | | "Lubricated" | "Dry" |
| 1/4-20 | 2,000 | 6 ft-lb | 8 ft-lb | 1/4-20 | 2,850 | 9 ft-lb | 12 ft-lb |
| 5/16-18 | 3,350 | 13 ft-lb | 18 ft-lb | 5/16-18 | 4,700 | 18 ft-lb | 25 ft-lb |
| 3/8-16 | 4,950 | 23 ft-lb | 31 ft-lb | 3/8-16 | 6,950 | 32 ft-lb | 44 ft-lb |
| 7/16-14 | 6,800 | 37 ft-lb | 50 ft-lb | 7/16-14 | 9,600 | 53 ft-lb | 70 ft-lb |
| 1/2-13 | 9,050 | 57 ft-lb | 75 ft-lb | 1/2-13 | 12,800 | 80 ft-lb | 107 ft-lb |
| 9/16-12 | 11,600 | 82 ft-lb | 109 ft-lb | 9/16-12 | 16,400 | 115 ft-lb | 154 ft-lb |
| 5/8-11 | 14,500 | 113 ft-lb | 151 ft-lb | 5/8-11 | 20,300 | 159 ft-lb | 211 ft-lb |
| 3/4-10 | 21,300 | 200 ft-lb | 266 ft-lb | 3/4-10 | 30,100 | 282 ft-lb | 376 ft-lb |
| 7/8-9 | 29,435 | 321 ft-lb | 430 ft-lb | 7/8-9 | 41,550 | 454 ft-lb | 606 ft-lb |
| 1-8 | 38,600 | 482 ft-lb | 640 ft-lb | 1-8 | 54,540 | 680 ft-lb | 900 ft-lb |



Grade Identification for Metric–Grade 8.8 Bolt



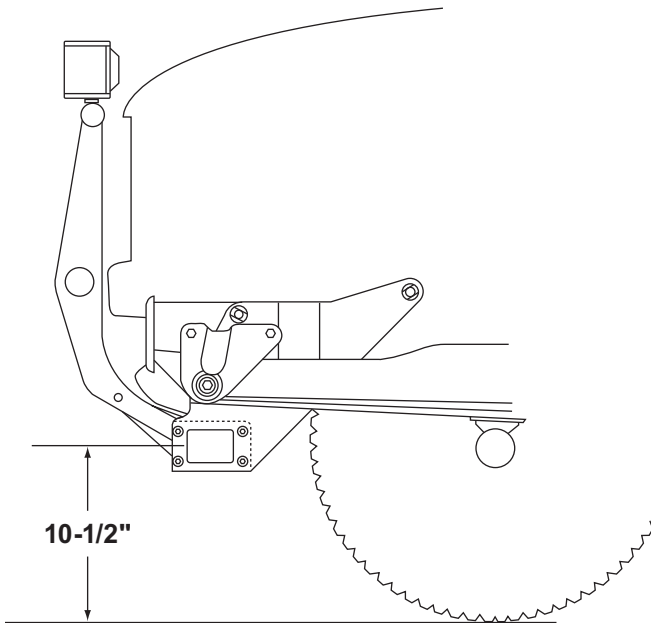
Grade Identification for Metric–Grade 10.9 Bolt

| Metric Class 8.8 Torque Values | | | | Metric Class 10.9 Torque Values | | | |
|--------------------------------|------------------|-------------------|-----------|---------------------------------|------------------|-------------------|-----------|
| Diameter (mm) | Clamp Loads (lb) | Tightening Torque | | Diameter (mm) | Clamp Loads (lb) | Tightening Torque | |
| | | "Lubricated" | "Dry" | | | "Lubricated" | "Dry" |
| 5 | 1,389 | 3 ft-lb | 5 ft-lb | 5 | 1,987 | 5 ft-lb | 7 ft-lb |
| 6 | 1,965 | 6 ft-lb | 8 ft-lb | 6 | 2,812 | 8 ft-lb | 11 ft-lb |
| 7 | 2,826 | 10 ft-lb | 13 ft-lb | 7 | 4,044 | 14 ft-lb | 19 ft-lb |
| 8 | 3,579 | 14 ft-lb | 19 ft-lb | 8 | 5,121 | 20 ft-lb | 27 ft-lb |
| 10 | 5,672 | 28 ft-lb | 37 ft-lb | 10 | 8,116 | 40 ft-lb | 53 ft-lb |
| 12 | 8,243 | 49 ft-lb | 65 ft-lb | 12 | 11,796 | 70 ft-lb | 92 ft-lb |
| 14 | 11,246 | 77 ft-lb | 103 ft-lb | 14 | 16,092 | 111 ft-lb | 148 ft-lb |
| 16 | 15,882 | 125 ft-lb | 167 ft-lb | 16 | 21,970 | 173 ft-lb | 231 ft-lb |
| 18 | 19,423 | 172 ft-lb | 229 ft-lb | 18 | 26,868 | 238 ft-lb | 317 ft-lb |
| 20 | 24,784 | 244 ft-lb | 325 ft-lb | 20 | 34,284 | 338 ft-lb | 450 ft-lb |

PUSHBEAM HEIGHT & UNDERCARRIAGE INSTALLATION

PUSHBEAM HEIGHT

The recommended pushbeam height for this undercarriage assembly is 10-1/2" from the center of the pushbeam to level ground. DO NOT exceed 12-1/2" in height for this undercarriage.



UNDERCARRIAGE INSTALLATION

NOTE: For easier assembly and installation, vehicle and all snowplow components should be on a smooth, level, hard surface, such as concrete.

1. Remove all accessories (including the grille guard), if applicable, from the front of the vehicle. These accessories should not be reinstalled while the snowplow is installed on the vehicle. Retain the accessories and fasteners for reinstallation if the snowplow is ever removed.
2. Remove the four fasteners that attach the bumper and the two inner fasteners that attach the skid plate to the frame.
3. Align the holes in the pushbeam with the holes in the bumper and frame. Reinstall the bumper and skid plate onto the pushbeam (Item 1) using existing hardware.

Torque the pushbeam hardware according to the torque chart.

NOTE: This undercarriage does not contain mount pockets for a light tower to be installed. When the snowplow is at its highest position, the vehicle headlamps clear the raised snowplow. No light tower or snowplow headlamps are needed for this installation.

NOTE: After five to ten hours of snowplow usage, retorque all undercarriage assembly fasteners.



Blizzard
PO Box 245038
Milwaukee, WI 53224-9538
www.blizzardplows.com

 A DIVISION OF DOUGLAS DYNAMICS, L.L.C.

Blizzard reserves the right under its product improvement policy to change construction or design details and furnish equipment when so altered without reference to illustrations or specifications used. Blizzard or the vehicle manufacturer may require or recommend optional equipment for snow removal. Do not exceed vehicle ratings with a snowplow. Blizzard offers a limited warranty for all snowplows and accessories. See separately printed page for this important information. The following are registered (®) or unregistered (™) trademarks of Douglas Dynamics, L.L.C.: BLIZZARD®, POWER HITCH™.

Printed in U.S.A.