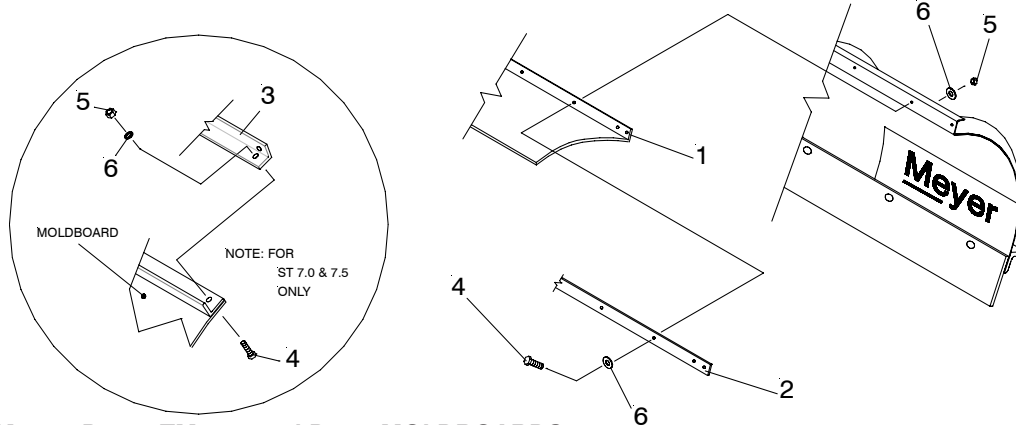


PARTS & INSTALLATION INSTRUCTIONS

MEYER POLYETHYLENE SNOW DEFLECTOR



D-6.0, TM- 6.0, D-6.5, TM- 6.5 and D-7.0 MOLDBOARDS:

Position Deflector (1) on Moldboard. Using holes in Reinforcement Bar (2) as a template, drill 5/16" holes in Deflector (1) and Moldboard. Attach using 1/4" x 1-1/4" Bolts (4), and Locknuts (5). Attach markers using 1/4-20 x 1-1/4" Bolts (4) and Locknuts (5).

ST-7.0. & ST-7.5 MOLDBOARDS:

Position Support Angle (3) as shown. Using the support angle as a template, drill 13/32" holes through top of Moldboard. Note: The second hole in from each end of Bar (2) is not used. Attach Support Angle (3) to Moldboard using 3/8" x 1-1/4" Bolts (4a), Flatwashers (6), and Locknuts (5a). Position Snow Deflector (1) over Support Angle (3), and using it as a template, drill 13/32" holes through Snow Deflector (1). Attach Reinforcement Bar (2) and Snow Deflector (1) to Support Angle (3) using 3/8" x 1-1/4" Bolts (4a), Flatwashers (6), and Locknuts (5a).
No drilling required for moldboards manufactured after June 2005.

D Series, DAG Series and AG Series 7.5 thru 9.0 MOLDBOARDS:

Position Reinforcement Bar (2), Using the Reinforcement Bar as a template, drill 13/32" holes through top of Moldboard. Note: The first hole from each end of Bar (2) is not used. Position Snow Deflector (1) on Moldboard and using the drilled holes, drill corresponding 13/32" holes through Snow Deflector (1). Attach Reinforcement Bar (2) and Snow Deflector (1) to Moldboard using 3/8" x 1-1/4" Bolts (4a), Flatwashers (6), and Locknuts (5a).
No drilling required for moldboards manufactured after June 2005.

STL-7.5, C-7.5, C-8, C-8.5, C-9, HM-9, & HM-10 MOLDBOARDS:

Position Reinforcement Bar (2), Using the Reinforcement Bar as a template, drill 13/32" holes through top of Moldboard. Note: The second hole in from each end of Bar (2) is not used except on HM-10. Position Snow Deflector (1) on Moldboard and using the drilled holes, drill corresponding 13/32" holes through Snow Deflector (1). Attach Reinforcement Bar (2) and Snow Deflector (1) to Moldboard using 3/8" x 1-1/4" Bolts (4a), Flatwashers (6), and Locknuts (5a).
No drilling required for moldboards manufactured after June 2005.

PARTS LIST (All Moldboards By Size unless specified)

Item	Qty	6.0'	6.5'	7.0'	ST 7.5	7.5'	8.0'	8.5'	9.0'	10.0'	Description
1	1	12036	12037	12038	12039	12186	12040	12041	12042	12043	• Carton (Deflector) • Deflector w/Decal • • Decal
	1	12044	12045	12046	12047	12047	12048	12049	12050	12051	
	1	22121	22121	22121	22121	22121	22121	22121	22121	22121	
2	1	12028	12486	12030	12487	12187	12497	12498	12031	12032	• Bar • Angle
3	1	-----	-----	12029	-----	-----	-----	-----	-----	-----	
4	1	08612	08612	08614	08614	08614	08614	08614	08614	08614	
4a	•	21835	21835	-----	-----	-----	-----	-----	-----	-----	• Hardware Bag • • Bolt 1/4-20 x 1-1/4" • • Bolt H 3/8-16x1-1/4" • • Locknut 1/4-20 • • Locknut 3/8-16 • • Flatwasher 3/8
5	•	-----	-----	20050	20050	20050	20050	20050	20050	20050	
5a	•	20312	20312	-----	-----	-----	-----	-----	-----	-----	
6	•	-----	-----	20314	20314	20314	20314	20314	20314	20314	
	•	-----	-----	20353	20353	20353	20353	20353	20353	20353	
	•	-----	-----	-----	-----	-----	-----	-----	-----	-----	

Parts indented are included in bag or assembly under which they are indented.

When ordering a snow deflector for the MAX™ moldboards, order the Deflector w/Decal only No other Hardware is needed.

Meyer Products reserves the right, under its continuing product improvement program, to change construction or design details, specifications and prices without notice or without incurring any obligations.