

PARTS & INSTALLATION INSTRUCTIONS

MEYER SNOW PLOW MOUNTING

1984-1987 ISUZU TROOPER II 4 x 4

IMPORTANT NOTICE

End user must be given this instruction sheet prior to delivery of this snow plow.

The equipment you have purchased should only be used on vehicles equipped with the manufacturer's snow plow preparation packages. Snow plowing without the original snow plow preparation package may damage your vehicle and the added weight of the equipment may impair the operation and control of the vehicle. Snow plowing with a vehicle that the manufacturer does not recommend for that purpose may void your new vehicle warranty. If your vehicle is not originally equipped with the snow plow preparation package, additional parts may be necessary before snow plowing. Owners of these vehicles should consult their dealers before purchase or installation of such parts.

CAUTION: The installation, on any vehicle, of these parts is not a full substitute for the original equipment snow plow preparation package.

WARNING: Lift arm extends beyond bumper of vehicle. To minimize damage from a front-end collision. Lift arm should be removed from vehicle when snow plow is not in use.

PARTS LIST

ITEM	PART NUMBER	QTY.	DESCRIPTION
	18026	1	MOUNTING CARTON
1	10941	1	• Lift Frame
2	10905	1	• Support Arm
3	10514	1	• Lift Arm
4	10590	1	• Clevis Frame
5	10721	1	• Side Member, L.H.
6	10720	1	• Side Member, R.H.
7	10656	2	• Light Bracket
8	10657	2	• Light Bracket Brace
9	13594	1	• A-Frame
10	12984	1	• Pivot Bar
11	12978	2	• Trip Spring
12	10925	2	• Bumper Extension Plate
	08547	1	• Hardware Bag - Mtg.
13	20002	2	• Bolts H 1/4-20 x 5/8" GR. 2
14	20066	10	• Bolt H 3/8-16 x 1-1/4" GR. 5
15	20140	4	• Bolt H 5/8-11 x 1-3/4" GR. 5
16	20144	1	• Bolt H 5/8-11 x 2-3/4" GR. 5
17	20147	1	• Bolt H 5/8-11 x 3-1/2" GR. 5
18	21988	4	• Bolt H 12mm x 1.25P x 30mm GR. 8.8
19	20524	2	• Hexnut, 1/4-20
20	20305	4	• Locknut, 3/8-16
21	20309	6	• Locknut, 5/8-11
22	21253	2	• Flatwasher, 1/4
23	20353	4	• Flatwasher, 3/8
24	20357	2	• Flatwasher, 5/8
25	20327	6	• Lockwasher, 3/8
26	21991	4	• Lockwasher, 12mm
27	10536	2	• Quick Disconnect Pin
28	21984	2	• Hair Pin Cotter
	08511	1	• Snow Plow Hardware Bag
29	11006	2	• Hinge Pin
30	21984	2	• Hair Pin Cotter
31	12150	2	• Eye Bolt
32	20318	4	• Nut, Estock 5/8-11
33	13598	2	• Pivot Bolt
34	13591	1	• King Bolt
35	20150	2	• Bolt 5/8-11 x 4-1/2 GR. 5
36	20309	5	• Locknut 5/8-11
	09916	1	• Snow Plow Marker Kit
37	08201	2	• Snow Plow Marker Assy.
38	12816	2	• Clamp
39	20005	2	• Bolt H 1/4-20 x 1
40	20312	2	• Locknut 1/4-20
—	20325	2	• Lockwasher 1/4
	09102	1	MOLDBOARD ASSY. TM-6.5
41	09100	1	• Cutting Edge - TM-6.5
42	21943	6	• Bolt C, 1/2-13 x 1-3/4 GR. 5
43	20307	8	• Locknut 1/2-13
44	20307	8	• Locknut 1/2-13

Parts indented are included in the carton, bag or assembly under which they are indented.

Meyer Products reserves the right, under its continuing product improvement program, to change construction or design details, specifications and prices without notice or without incurring any obligation.

GENERAL INFORMATION

CAUTION: Always disconnect battery before beginning installation.

DO NOT burn holes or weld vehicle frame. This may cause frame failure.

After first use retighten all mounting bolt connections to specified torque. All mounting bolt connections to be checked periodically for tightness.

Check contents against the parts list to determine all are correct and included; and also to familiarize yourself with them.

Locknuts are furnished. Do not tighten bolts and nuts until installation is complete (unless otherwise specified), then be sure to tighten all attaching parts per specified torque chart.

When ordering parts, furnish Part No., Name and Description. Also furnish Vehicle Model and Year, Type of Hydraulic Unit and Moldboard Size.

INSTALLATION INSTRUCTIONS

- A. Remove front bumper with bumper braces still attached, retaining all original parts.
- B. Secure Lift Frame (1) to weldnuts in front of vehicle frame using original vehicle bolts and flatwashers and a 5/8" flatwasher (24) between Lift Frame (1) and vehicle frame. Snug these bolts.

- C. Attach Clevis Frame (4) and sidemembers (5 & 6) to Lift Frame (1) as shown, using 5/8 x 1-3/4" bolts (15) and 5/8" locknuts (21). Fasten rear of each sidemember (5 & 6) to the lower holes of vehicle constant velocity joint housing using 12mm x 30mm bolts (18) and 12mm lockwashers (26).
- D. Put bumper (with original brackets still attached) into position and use holes "A" in Lift Frame (1) and "B" in truck frame as templates to mark and drill 3/8" holes in vehicle bumper bracket. Install using 3/8" x 1-1/4" bolt (14), 3/8" flatwasher (23) and 3/8" locknut (20).
- E. Tighten all bolts as specified in torque chart.
- F. Secure ends of bumper to vehicle fenders using Bumper Extension Plates (12), original vehicle hardware and 1/4 x 5/8" bolt (13), 1/4" flatwasher (22) and 1/4" Hexnut (19).
- G. Assemble Light Brackets (7) and Light Bracket Brace (8) to Lift Frame (1) with Bolts 3/8 x 1-1/4 (14) and lockwashers (25) to Weldnuts in Light Bracket Clip on

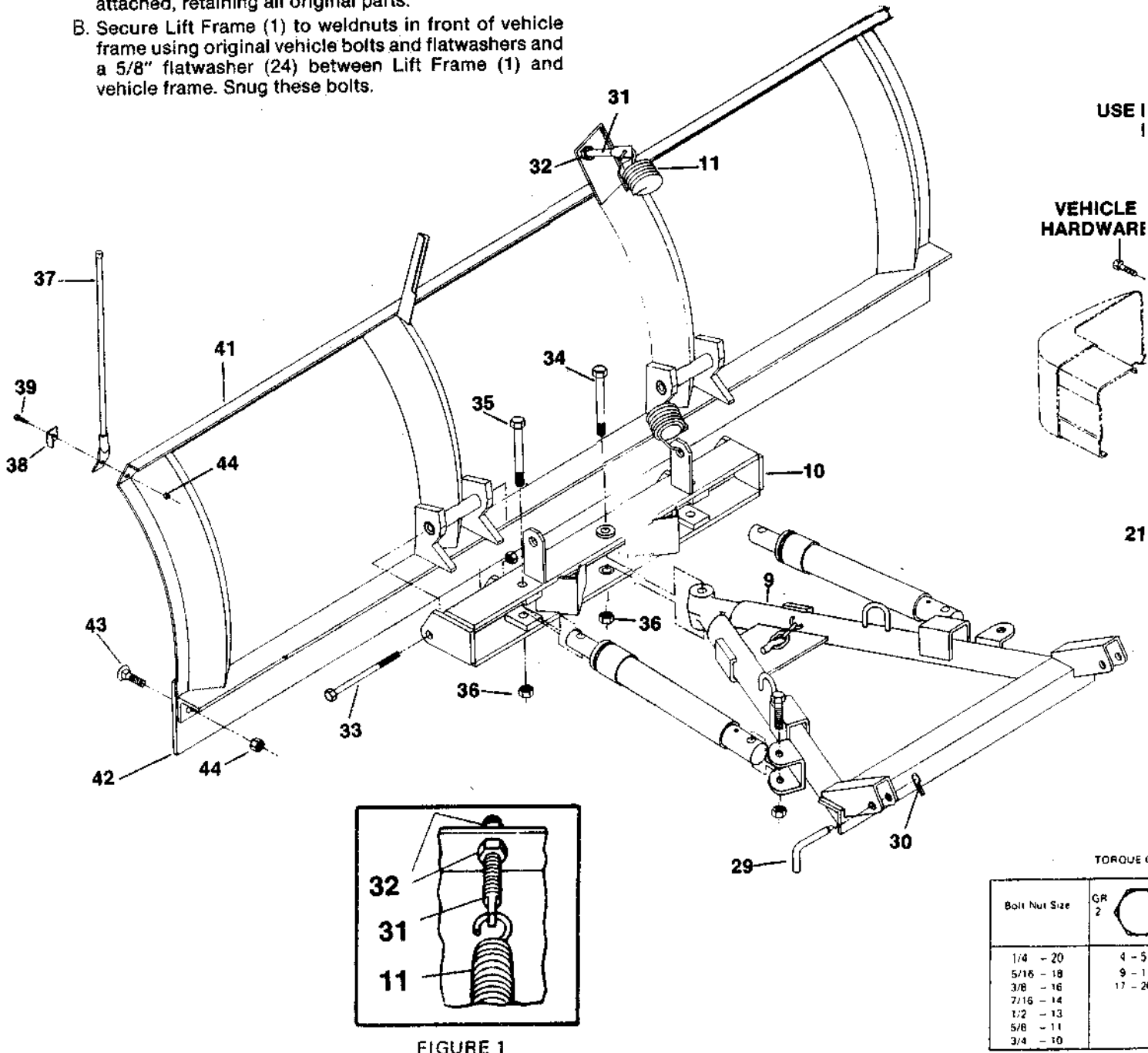


FIGURE 1

Lift Frame (1). Install Snow Plow Lights to Light Brackets (7) and Light Bracket Brace (8). Before tightening Light Bracket and Light Bracket Brace Bolts (14) open vehicle hood with caution and adjust Light Brackets (7 & 8) to allow 1" clearance between vehicle hood and Snow Plow Lights.

H. Snow Plow Lights must be adjusted to comply with Federal Regulations.

I. Install Plow Light Wiring per separate instructions.

J. Attach Electro-Touch unit to Support Arm (2) using 5/8" x 3-1/2" bolt (17) and 5/8" locknut (21) and to forward hole in Lift Arm (3) using 5/8" x 2-3/4" bolt (16) and 5/8" locknut (21). Secure this assembly to Lift Frame (1) using Quick-Disconnect Pins (27) and Hair Pin Cotter (28) in Lift Arm (3) and rear hole of Support Arm (2).

K. Install Electro-Touch wiring system per separate instructions.

L. Attach Pivot Bar (10) to Moldboard (41) using Pivot Bolts (33) coated with chassis lubricant, and 5/8" Locknut (36).

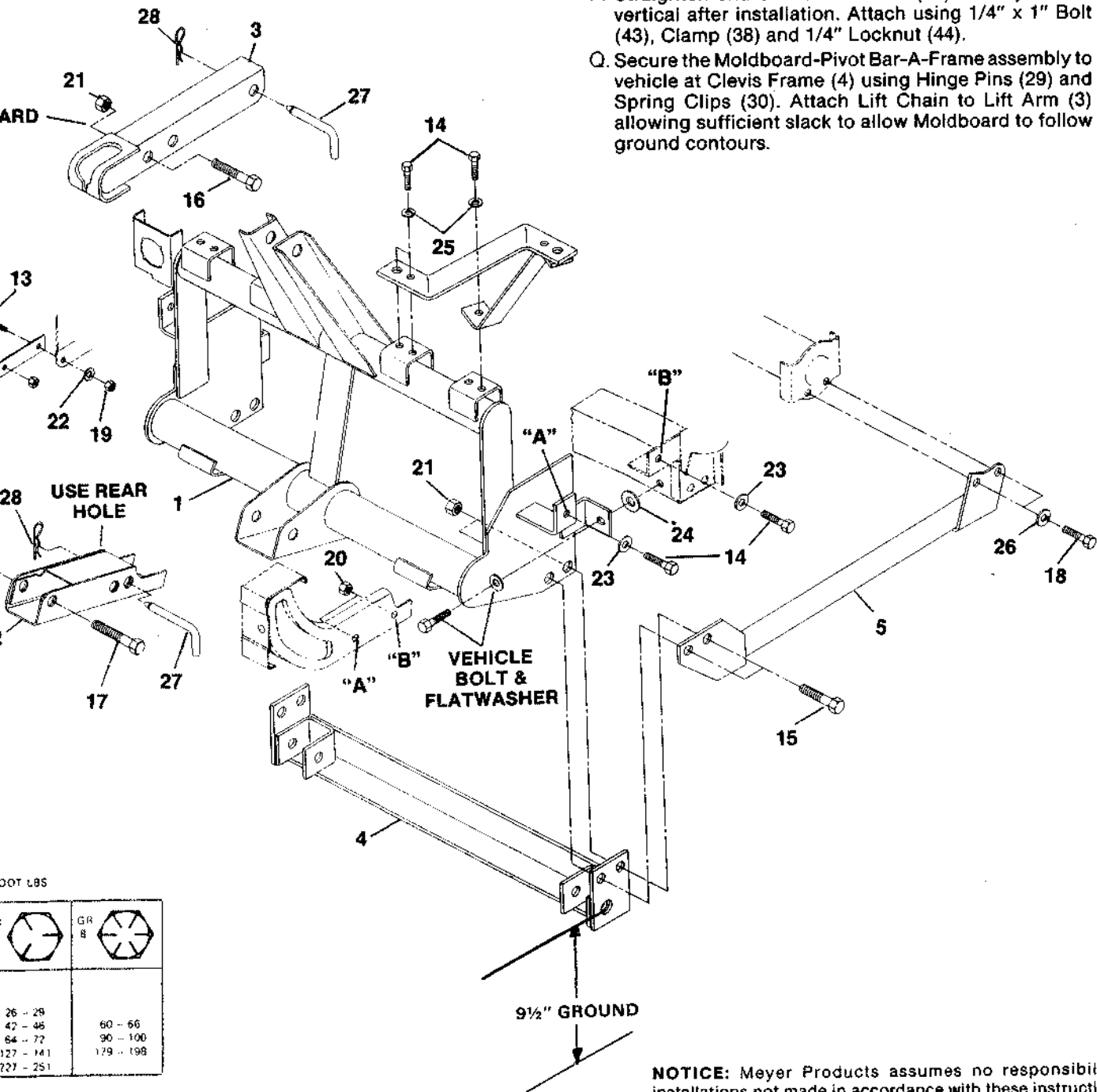
M. Attach Trip Springs (11) to Pivot Bar (10) and Moldboard (41) with Eye Bolts (31) and Locknuts (32). Flat End of Eye Bolt (31) must be in a vertical position, as shown in Figure 1, to hinge properly when Moldboard (41) trips. Proper tension is attained when Trip Spring (11) coils begin to separate and then tightening top Locknut (32) four additional turns. Tighten bottom Locknut (32) to secure Eye Bolt (31) in position. See Figure 1.

N. Assemble A-Frame (9) to Pivot Bar (10) using King Bolt (34) and 5/8" Locknut (36). Grease King Bolt (34) prior to installation.

O. Install Power-Angling Rams with fitting end to the A-Frame (9) Clevis using 5/8" x 3-1/4" Bolt and 5/8" Locknut (packed in hardware bag 08363 in Electro-Touch carton). Attach piston end of Ram to Pivot Bar (10) using 5/8" x 4-1/2" Bolt (35) and 5/8" Locknut (36).

P. Straighten end of Plow Markers (37) so they will be vertical after installation. Attach using 1/4" x 1" Bolt (43), Clamp (38) and 1/4" Locknut (44).

Q. Secure the Moldboard-Pivot Bar-A-Frame assembly to vehicle at Clevis Frame (4) using Hinge Pins (29) and Spring Clips (30). Attach Lift Chain to Lift Arm (3) allowing sufficient slack to allow Moldboard to follow ground contours.



DOT L85

	GR	
26 - 29	8	60 - 66
42 - 46		90 - 100
64 - 77		179 - 198
127 - 141		
227 - 251		

NOTICE: Meyer Products assumes no responsibility for installations not made in accordance with these instructions.