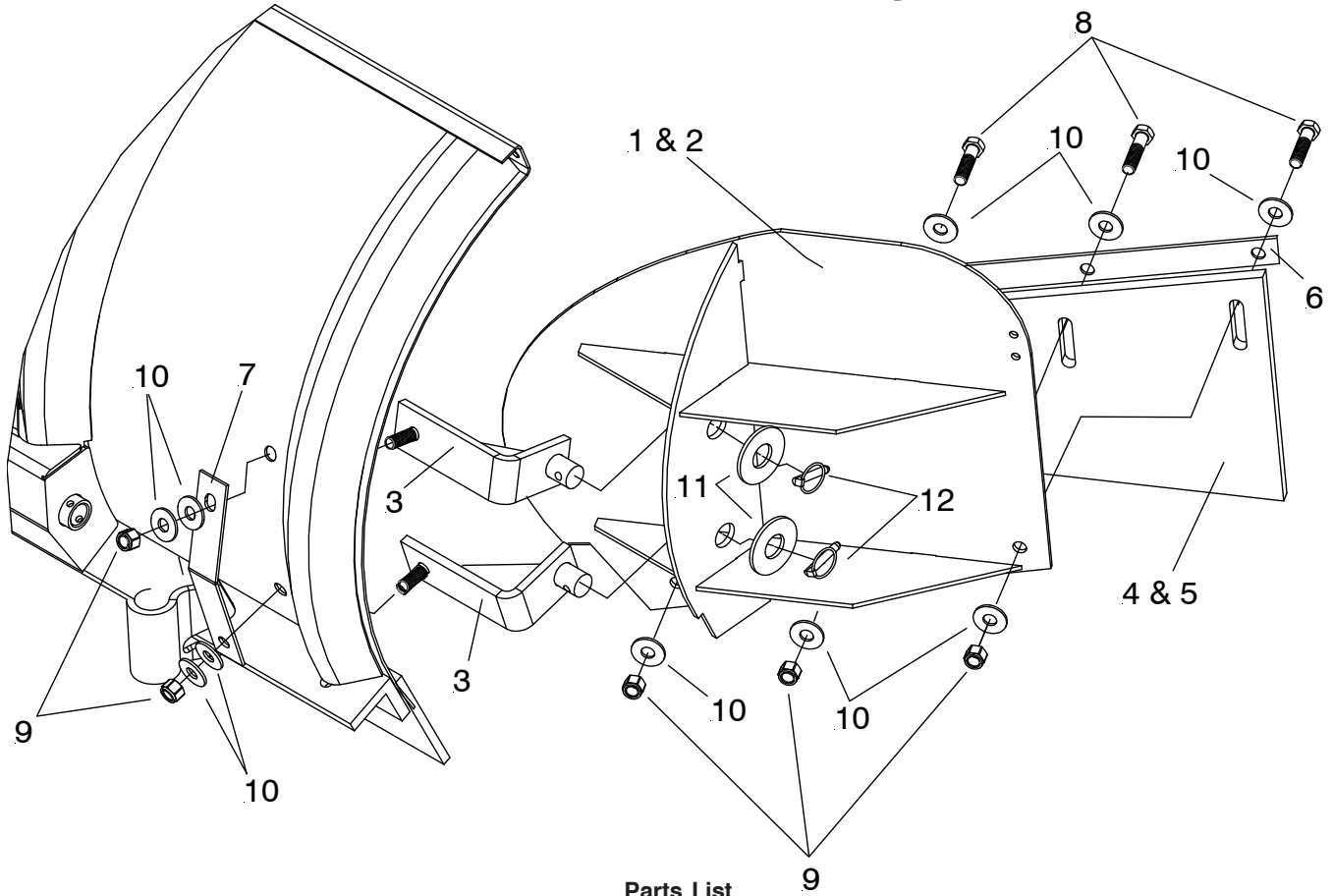


Parts & Installation Instructions

ST & C-Series (08888)

Steel Moldboard Wings



Parts List

Item	Part No.	Qty.	Description
	08888		Moldboard Wing Kit
1	19800	1	• RH (Passenger Side) Wing
2	19801	1	• LH (Driver Side) Wing
3	19797	4	• Wing Angle Bracket
4	19870	1	• LH (Driver Side) Wing Rubber Edge
5	19786	1	• RH (Passenger Side) Wing Rubber Edge
6	12787	2	• Strap
	08887	1	Hardware Bag
7	12691	2	•• Wing Bracket
8	20097	6	•• Bolt 1/2-13 x 2" Gr.5
9	20307	10	•• Locknut 1/2-13
10	20355	20	•• Flawasher 1/2"
11	20361	4	•• Flatwasher 1"
12	811000224	4	•• 5/16" Klik Pin

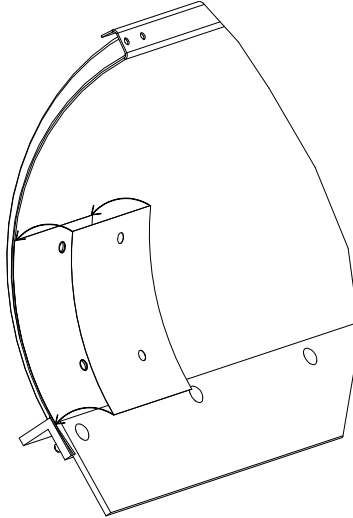
Parts indented are included in the assembly under which they are indented.

NOTE: The 08888 Wing Kit is not recommended to be used with a rubber or urethane cutting edge.

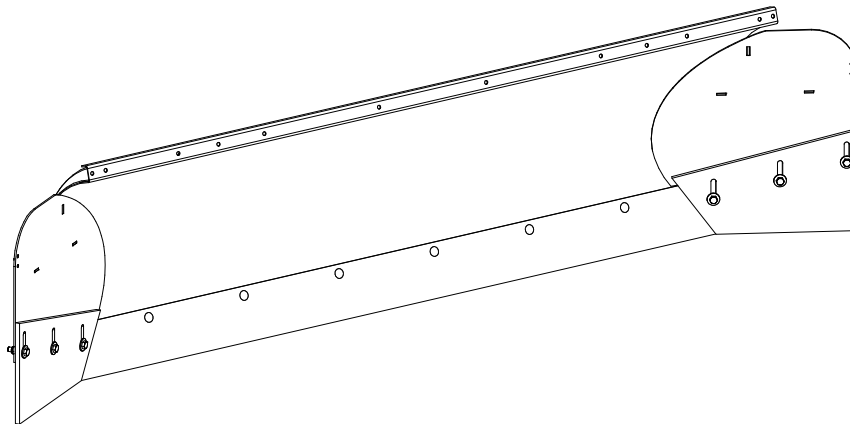
Meyer Products LLC reserves the right, under its continuing product improvement program, to change construction or design details, specifications and prices without notice or without incurring any obligation.

INSTALLATION INSTRUCTIONS

- A. Check that your dimensions match as marked on templates shown on page 3 & 4 before beginning installation. There could be printing differences.
- B. Use Passenger Side drilling template to mark and then drill holes for mounting brackets. Template should rest on top of cutting edge, align with edge of moldboard and lay flush against moldboard surface as shown below.

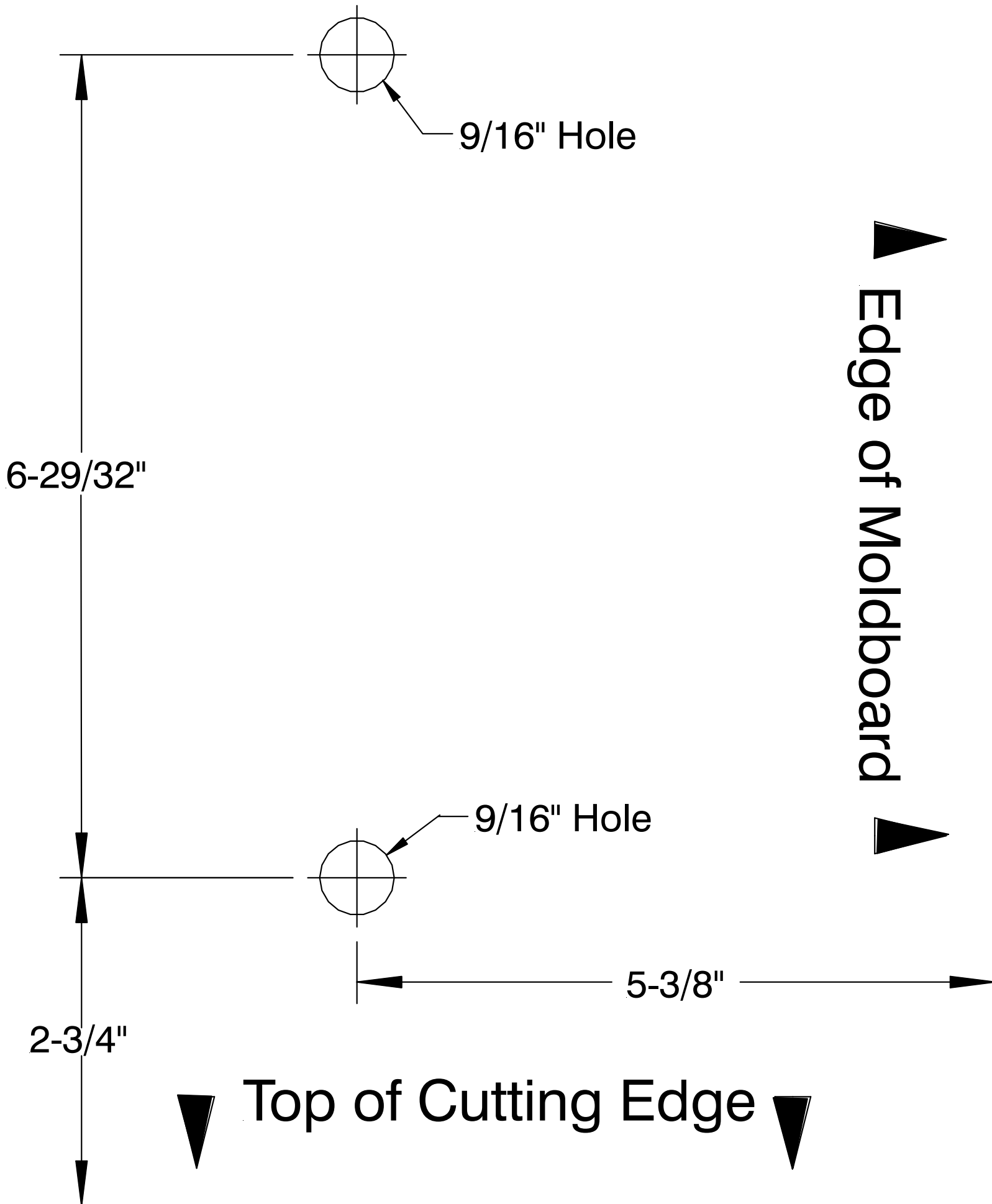


- C. Loosely mount Wing Angle Brackets (3) to front of moldboard and Wing Bracket (7) to rear of moldboard using 1/2" Flatwasher (10) and 1/2-13 Locknuts (9). **Do not tighten at this time.**
- D. Slide RH (passenger side) Wing (1) onto Wing Angle Brackets (3) and install 1" Flatwashers (11) and 5/16" Klik Pin (12).
- E. Adjust RH (passenger side) Wing (1) up or down until Wing Angle Brackets (3) are flush with moldboard and Wing Rib.
- F. Tighten 1/2"-13 Locknuts (9) at this time.
- G. Install RH (passenger side) Wing Rubber Edge (5) to RH (passenger side) Wing (1) using 1/2-13 x 2" Bolt (8), 1/2" Flatwasher (10). Strap (6) and 1/2-13 Locknuts (9). Adjust RH (passenger side) Wing Rubber Edge (5) so it will rest flat on the ground when moldboard is on the ground. Tighten Fasteners at this time.



- H. Repeat installation instructions for LH (Driver Side) Wing (2)

Driver Side Template



Passenger Side Template

