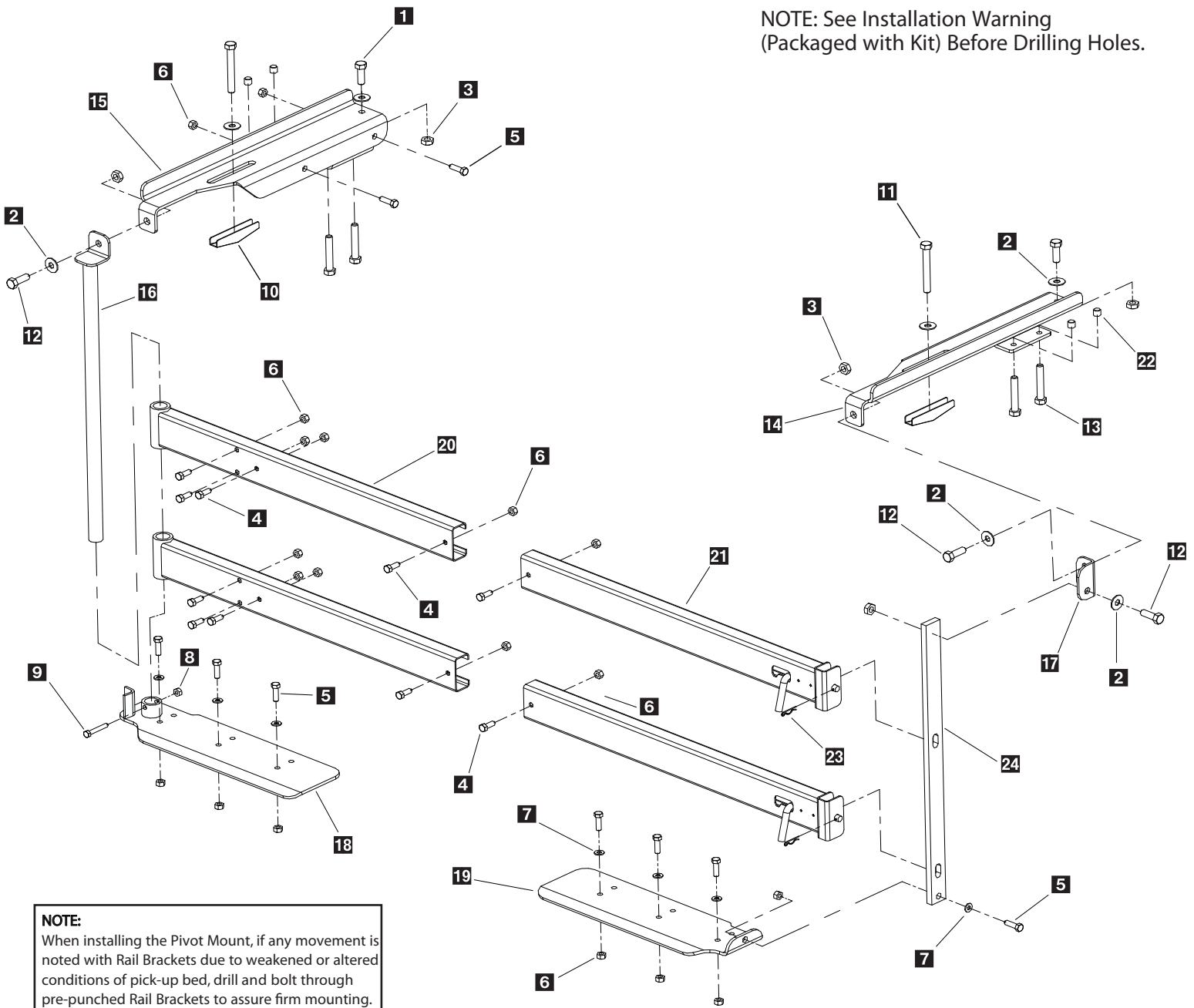


# Pivot Mount Parts Breakdown

Model #PMT-175



NOTE: See Installation Warning (Packaged with Kit) Before Drilling Holes.



**NOTE:**  
When installing the Pivot Mount, if any movement is noted with Rail Brackets due to weakened or altered conditions of pick-up bed, drill and bolt through pre-punched Rail Brackets to assure firm mounting.

Key	Part No.	Description	Qty.	Key	Part No.	Description	Qty.
1	D 4116	1/2-13 x 1-1/2" Hex Bolt	2	13	D 6144	1/2-13 x 3" Hex Bolt Full Thread	4
2	D 4119	1/2" Flat Washer	7	14	D 6200	Bed Rail Bracket Right	1
3	D 4120	1/2" Lock Nut	5	15	D 6201	Bed Rail Bracket Left	1
4	D 4121	3/8-16 x 1" Hex Bolt	16	16	D 6202	Pivot Tube Assembly	1
5	D 4122	3/8-16 x 1-1/2" Hex Bolt	13	17	D 6203	Angle Top	1
6	D 4124	3/8 Lock Nut	29	18	D 6204	Pivot Bumper Bracket	1
7	D 4125	3/8 Flat Washer	9	19	D 6205	Latch Bumper Bracket	1
8	D 6138	5/16 Lock Nut	1	20	D 6206	Pivot Channel Assembly	2
9	D 6139	5/16-18 x 2" Hex Bolt	1	21	D 6207	Latch Channel Assembly	2
10	D 6141	1/2" Toggle	2	22	D 6208	Rubber Tip Protector	4
11	D 6142	1/2-13 x 4" Hex Bolt Full Thread	2	23	D 6222	1/8" x 2-1/16" Hair Pin Clip	2
12	D 6143	1/2-13 x 1-1/4" Hex Bolt	3	24	D 6223	Latch Bar	1

# Pivot Mount Installation Instructions



## Model #PMT-175

Step 1: Insert upper & lower pivot rails into main frame of spreader. Line up the pre-punched holes on the pivot rail with the main frame, then bolt together. Holes are pre-determined and can be relocated if spreader is not centered on vehicle.

Step 2: Locate top bed rail mounting brackets and set on top of pickup bed rails; Center by moving out towards the bumper. maintain a minimum of 2" clearance between tailgate and spreader.

Step 3: Locate left and right bumper brackets. The left side or the pivot side will have a two piece system that will act as the hinge for the spreader. (See fig. D) The right side will have a two-piece system that will be the latching side. (See fig. H). Attach pivot tube and latch bar to the bumper plates using the posts as centering guides. Line up with the bed rail brackets. Be sure that the tailgate will open before locating any of these brackets permanently. Make sure bumper brackets are parallel to the lower main frame so that everything will be straight. After aligning all pieces, mark & drill holes using the bumper plates as a guide. (As seen in Fig. A) Once holes have been drilled bolt securely to bumper. Note: Use a minimum of 3 holes.

Step 3-A: If installing on a newer Chevrolet vehicle with a bumper that has raised ends, you will need to install one inch spacers supplied with kit PMT-175-C (see pg. 7-38) for illustration.

Step 4: Locate toggle bolt assembly and install on left and right upper bed rail brackets as seen in (Fig. B). Position toggle bolt (Fig. C) to keep in position while tightening. Pull up on the bracket to keep a slight amount of pressure on the toggle bolt. **\*NOTE\***: When tightening toggle bolt assembly, do not exceed 30 foot pounds of torque, or you may damage toggle assembly. Take the two 3" full threaded bolts and screw into bottom of bed rail brackets. Use rubber tip protectors on bolt end as seen in (Fig E). Torque bolts down using a **HAND RATCHET ONLY**- you may also want to use a small amount of blue removable thread locker. Do this only as a final assembly once you have proper tailgate clearance established.

**Step 4A: Please make sure toggle is positioned so front to back in line with vehicle, this is very important. If the toggle makes contact with the rear inside surface of the pickup box, you may cause an internal dent that will show on the exterior of the box. Also you can damage the paint which can be very costly to repair, not to mention a huge inconvenience for everyone. Please take your time during this step and be sure it is done correctly.**

Step 5: Now that the lower bumper brackets and upper bed rail brackets are mounted, you will now need to check both the pivot tube assembly and latch bar to see if these need to be cut down. Due to the variety of truck bumpers, bed rail heights, etc, we made these two parts intentionally too long. On the pivot side you will need to align the top of the pivot tube hole to the left side bed rail bracket hole. Trim off the amount needed with a cut off saw.

Step 6: Put this piece aside for now. Now that you have the pivot side assembly cut to length, mount spreader main frame assembly to truck. With an assistant, place pivot side of spreader on truck. Take pivot tube assembly and insert through pivot rails to the bumper plate locator tube. Bolt the upper pivot tube assembly to the bed rail bracket.

**Make sure bed rail bracket is secure.** Swing spreader until both support pads on lower main frame rail are completely on the bumper. Drill a 5/16" hole, (as seen in Fig D) and bolt lower portion of pivot tube assembly. This will now complete pivot side installation.

Step 7: The latching side will be done the same way, except that you will need to mount the locator bracket to the right side bed rail bracket (see Fig F, G, H). Once you have completed, trim flush with the top of the locator bracket. After cutting bar to proper length, drill a 1/2" hole in mounting bar. Bolt the upper portion and the lower portion of the latching bar.

Step 8: Locate latching rails and insert into spreader main frame, position the latch rails so they are latched to the latching bar. Center latching bar in the pocket of the end of the latch rail. (see Fig. F) This will insure proper latching when closing spreader.

Step 9: Using an assistant or a large vice grip to insure rails do not move, drill three 3/8" holes using the pre-punched holes as a guide. Repeat this process for the lower rail also. Bolt together. This completes the latch side of the pivot mount.

Step 10: Drill four more 3/8" holes as seen in (Fig I) to stiffen the whole frame/rail system. Bolt together. This will insure minimum frame deflection under extreme load conditions.

Step 11: Make sure spreader is level and clear from the tailgate when closed. You can make minor adjustments by loosening the bed rail brackets (one at a time) and trimming the unit out. Also at this time you may want to apply a small amount of removable thread locker to insure the bolts stay secure.

Step 12: Lube zerk fittings on pivot tubes.

Step 13: **IMPORTANT:**When installing the Pivot Mount, if any movement is noticed with the bed rail brackets due to weakness or altered conditions of pickup bed, drill and bolt thru the pre-punched holes located on the sides of the bed rail brackets and bolt securely.

Step 14: After first use, tighten all nuts and bolts on mount and spreader.

# Pivot Mount Installation Diagrams

Model #PMT-175 / PMT-175-C

