



Insta-Act® Hydraulic Kit

EZ-V® Snowplows

Parts List

Table of Contents

EZ-V Connector and Parts Box2

Fish-Stik® Hand-Held Control and Parts List.....3

Hose Routing and Large Bolt Bag4

Cylinder Components and Parts Lists5

EZ-V Insta-Act Hydraulic Power Unit Assembly and Parts List6

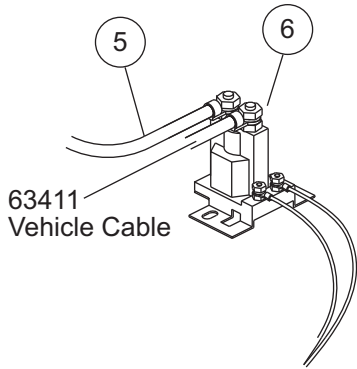
Small Bolt Bag and Backup Ring/O-Ring Kit7

Motor Manufacturer Identification and Service Parts8

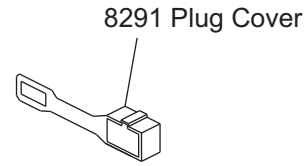
Harness ID Reference9

EZ-V Insta-Act HYDRAULIC KIT PARTS LIST

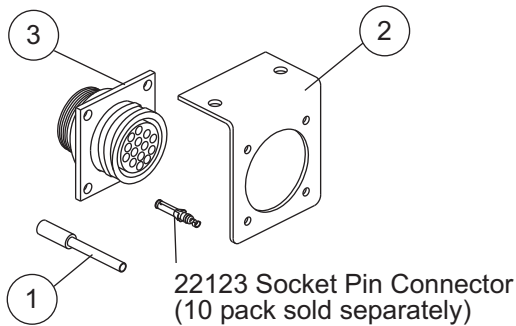
9828-2 EZ-V Insta-Act Hydraulic Kit					
Part	Qty	Description	Part	Qty	Description
66779	1	Hydraulic Unit	26358	1	Plow Control Harness, 7-pin
56600K	1	1-1/2" x 10" Cylinder Assembly	26346	1	Vehicle Control Harness, 7-pin
56546	2	2" x 10" Double-Acting Cylinder	8291	1	Plug Cover
21727-1	1	Breather – 3/8 NPT	56762	1	Parts Box Assembly – 9828-2
21294	1	Plow Cable Assembly	56496	1	EZ-V Connector Bagged Assembly
63411	1	Vehicle Cable Assembly			



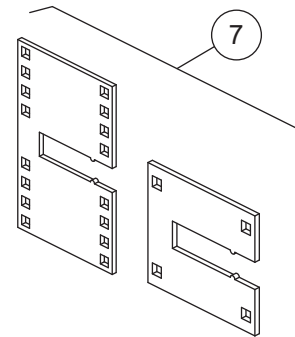
63411
Vehicle Cable



56496 - EZ-V® Snowplow Connector Bagged Assembly



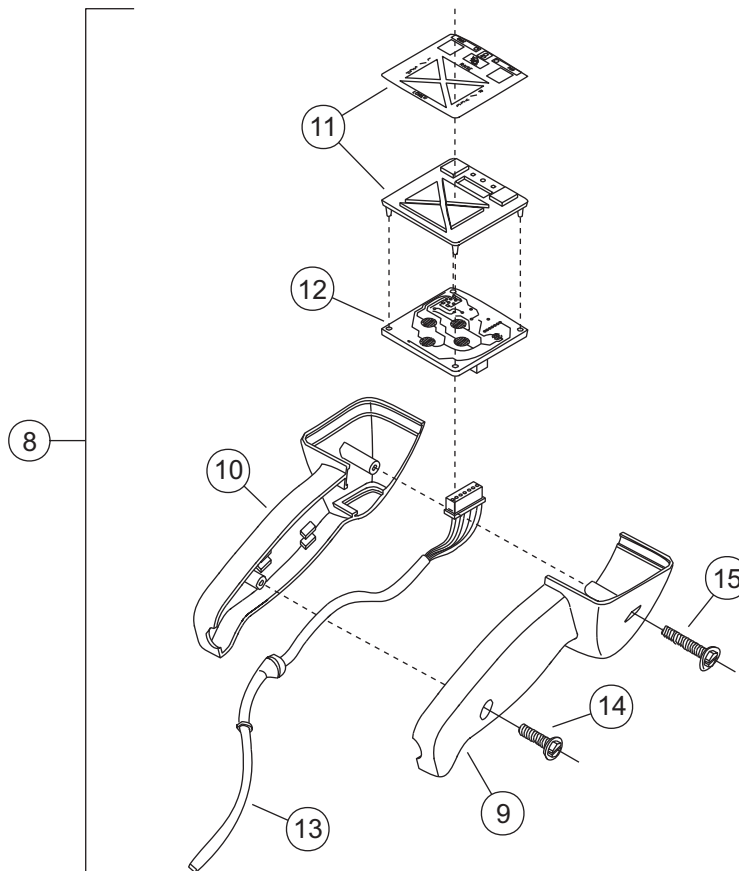
22123 Socket Pin Connector
(10 pack sold separately)



56496 – EZ-V Connector Bagged Assembly			
Item	Part	Qty	Description
1	66767	1	Pin Removal Tool
2	66634	1	Vehicle Harness Bracket
ns	80134	4	#6-32 x 1/4 Tapping Screw
ns	90597	4	Washer LK #6 EX ZP
ns	5800	2	#8-18 x 5/8 Hi Lo
3	56497	1	14-Pin Connector Housing
ns = not shown			

56762 Parts Box Assembly			
Item	Part	Qty	Description
-	66636	1	Fish-Stik® Assembly
5	22511	1	Battery Cable, 22" Red
6	5794K	1	Motor Relay
ns	8284	1	Cable Boot
-	4424	4	High Pressure Hose 1/4 x 36
-	56224	1	High Pressure Hose 1/4 x 18
7	56526	1	Panel Mount Set (long & short)
ns	69189	1	Fuse 5AFB NANO2
ns	56761	1	Bolt Bag for 9828-2
ns = not shown			

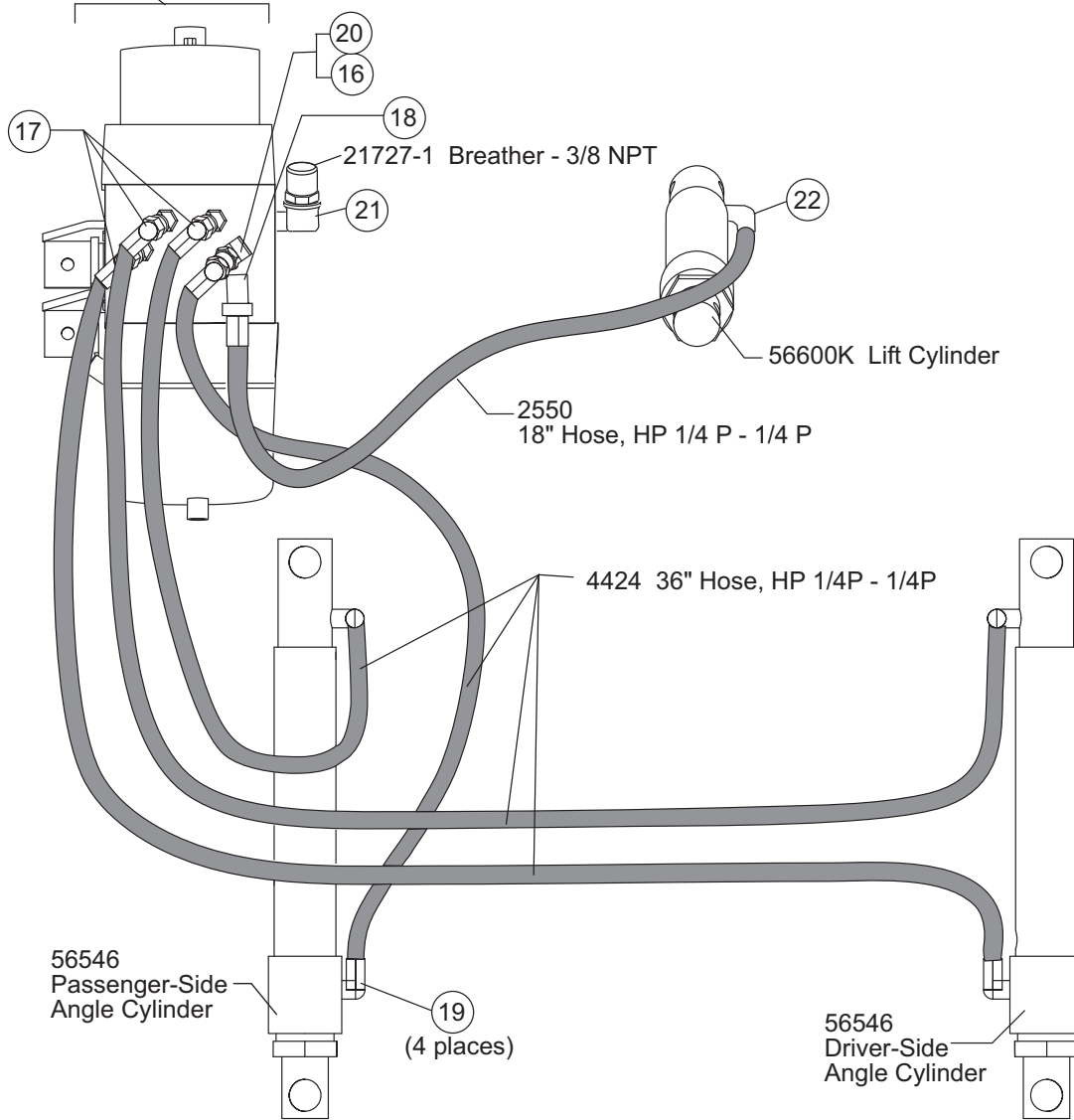
Fish-Stik® HAND-HELD CONTROL



66636 – Fish Stik® Parts List							
Item	Part	Qty	Description	Item	Part	Qty	Description
8	66636	1	Fish-Stik Assembly	13	66633	1	EZ-V Coiled Cord
9	49320	1	Control Body - Right	14	93173	1	#8-18 x 3/4 Tapping Screw
10	49321	1	Control Body - Left	16	93174	1	#8-18 x 1-1/4 Tapping Screw
11	66794	1	EZ-V® Keypad Assembly	ns	69189	1	Fuse 5AFB NANO2
12	66793	1	EZ-V Assembly PCB	ns	69190	1	Fuse 5AFB NANO2 (5 pack)
ns = not shown							

66779
EZ-V® Insta-Act® Hydraulic Power Unit

HOSE ROUTING



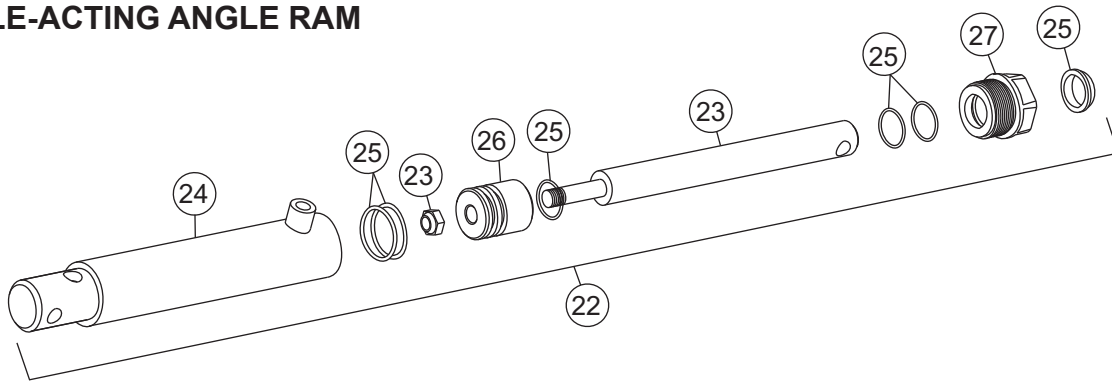
56761 Bolt Bag Assembly Large

Item	Part	Qty	Description	Item	Part	Qty	Description
ns	22260	4	Clevis Pin – 1 x 4-3/4	20	8476	1	1/4 NPT x 45° Street Elbow
ns	6814	2	Clevis Pin – 1 x 3-5/16	21	21726	1	3/8 NPT 90° Street Elbow
ns	90601	6	Pin, Cotter 1/4 x 1-1/2	22	20316K	1	9/16" O-Ring to 1/4" NPT 90° Elbow
16	66562	1	1/4" Straight Adapter Union (male)	ns	8329K	1	Dielectric Grease Tube
17	8127	3	45° Adapter Union (male) 1/4 NPTF/NPSM	ns	59223	9	Cable Tie – Black 3/16 x 8
18	2318	1	1/4 NPT x 90° Union Elbow	ns	8324	8	Cable Tie – Black 3/16 x 14
19	2780K	4	1/4 NPT x 90° Street Elbow	ns	*		EZ-V Small Bolt Bag

ns = not shown

* available as part of service kit only

DOUBLE-ACTING ANGLE RAM

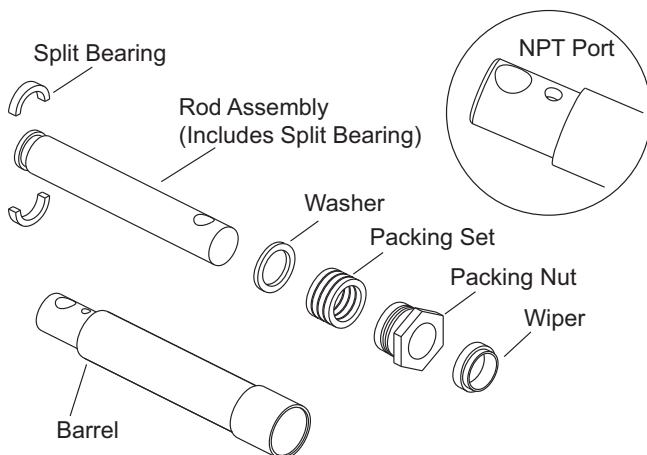


Angle Cylinder Parts List		
Item	Part	Description
22	56546	Double Acting Ram
23	66394	Cylinder Rod Kit
24	66376	Barrel 2 x 10
<i>For Pistons w/ one seal groove use:</i>		
25	56669	Seal Kit, 2" Double Acting Ram
<i>For Pistons w/ two seal grooves, use:</i>		
25	56678	Seal Kit w/ Piston, 2" Double Acting Ram
<i>For Piston w/ one seal groove use:</i>		
26	56549	Piston 2"
<i>For Piston w/ two seal grooves use:</i>		
26	56678	Seal Kit w/Piston, 2" Double Acting Ram
27	48985	Gland Nut 1-1/2"

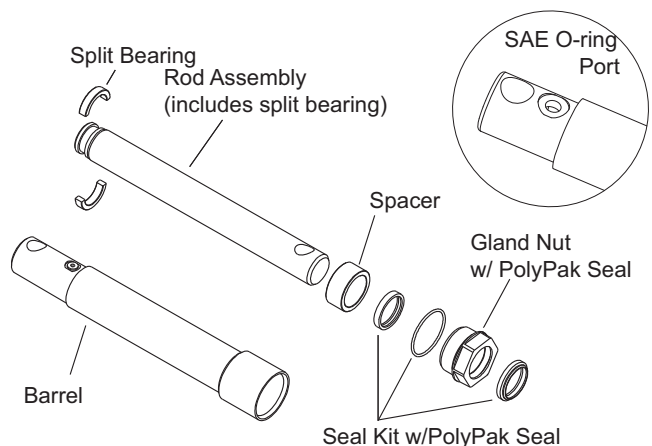
Lift Cylinder Kit Parts List		
Part	20116K	56600K
Description	1-1/2 x 10 Cylinder w/NPTF Port/Packing Nut	1-1/2 x 10 Cylinders w/ O-Ring/Gland Nut
Barrel	N/A	56602
Split Bearing	20118	20118K
Rod Assembly	20618	26981
Washer	338	
Packing Set	339K	
Packing Nut	25944	
Wiper	341K	
Spacer		56537
Gland Nut		48985
PolyPak Seal Kit		56556

LIFT CYLINDER COMPONENTS

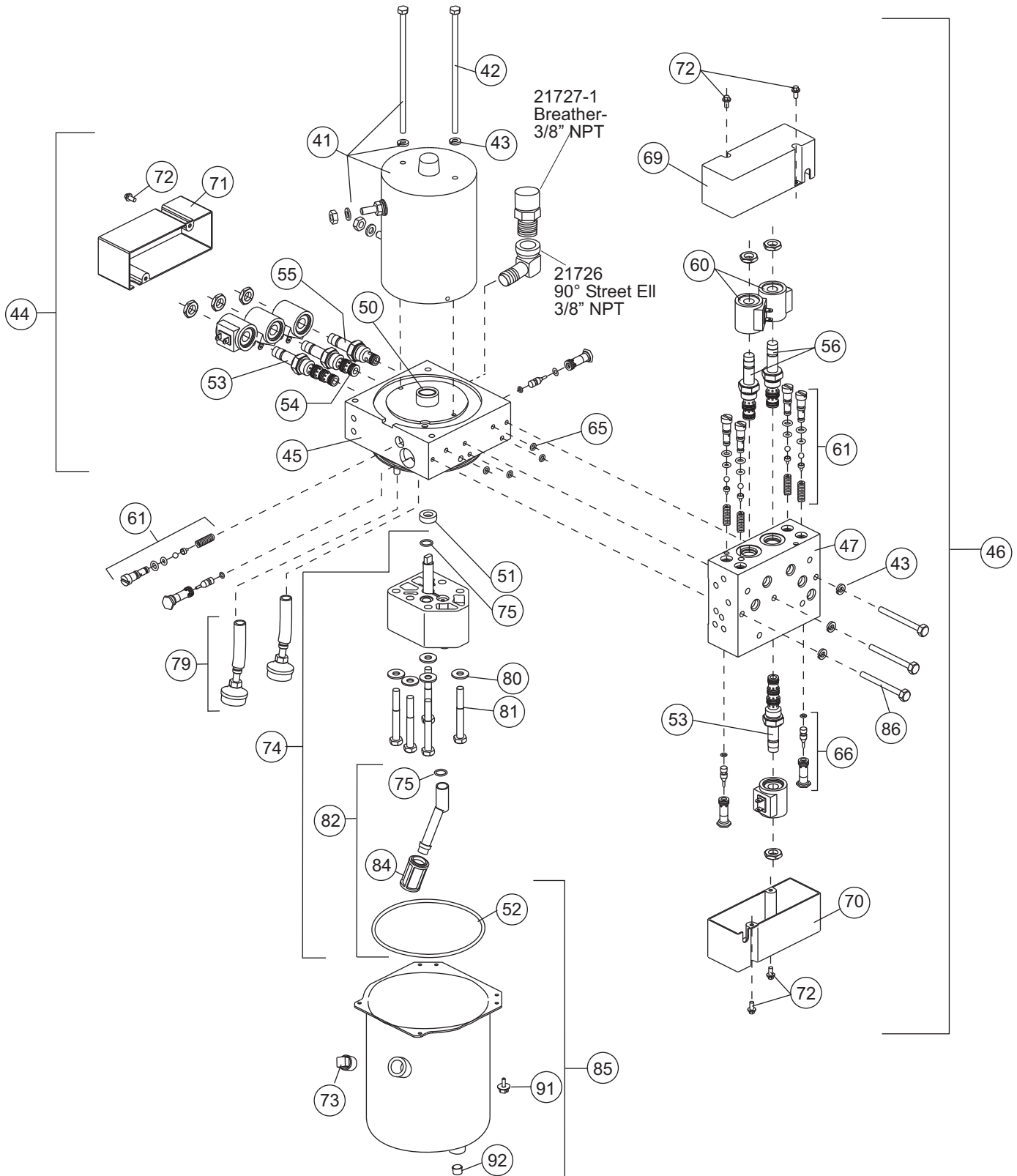
Cylinder Equipped w/ NPT Port/Packing Nut



Cylinder Equipped w/ O-ring Port/Gland Nut



EZ-V® Insta-Act® HYDRAULIC POWER UNIT ASSEMBLY



66779 EZ-V® Insta-Act® Hydraulic Power Unit Parts List							
Item	Part	Qty	Description	Item	Part	Qty	Description
41	21500	1	Motor Assembly	66	66785K	4	Pilot-Operated Check Valve
42		2	See Page 8	69	66620	1	Cover Assembly EZ-V 3-3 Way
43	91201	5	1/4 Spring Lock Washer	70	66621	1	Cover Assembly EZ-V 4 Way
44	66773	1	Primary Valve Manifold Assy w/coils, cartridges, covers	71	66619	1	Cover Assembly 4-4-2 Way
45	66775	1	Primary Manifold Assy w/o coils, cartridges, covers	72	90650	6	Cover Screw
46	66771	1	Secondary Valve Manifold Assy w/ coils, cartridges, covers	73	7621	1	Plug 3/8 NPTF SQ
47	66772	1	Secondary Manifold Assy w/o coils, cartridges, covers	74	21501	1	Hydraulic Pump Kit
50		1	Fiber Thrust Washer – See Page 8	75	56274	2	O-Ring 0 13
51	66515	1	Pump Shaft Seal	79	66405	2	Return Screen Assembly
52	66519	1	O-Ring 2-250	80	90311	5	1/4 Flat Washer
53	7637K	2	Cartridge 40 w/ Jam Nut	81	90080	5	5/16 -18 x 2-1/2 Hex Cap Screw G5
54	66783K	1	Cartridge 43 w/ Jam Nut	82	66763	1	Inlet Fitting/Filter Kit
55	7634K	1	Cartridge 20 w/ Jam Nut	84	7053K	1	Suction Filter
56	7636K	2	Cartridge 30 w/ Jam Nut	85	21830	1	Reservoir Kit
60	7639K	6	Coil w/ Spade Terminals	86	66597	3	1/4 -20 x 2-1/2 Hex Cap Screw G5
61	7629K	3	Relief Valve Kit – 2 Sets	91	66607	4	10-24 x 5/16 Machine Screw
65	25731	4	O-Ring - 010	92	92095	1	Plug 1/4 NPTF HX SQ Thread Seal
				ns	66781	1	Back-Up/O-Ring Kit - V
				ns		1	Brush Kit See Page 8
				ns	7635	1	Seal Kit– Cartridge 20
				ns	7638	1	Seal Kit– Cartridge 30, 31, 33, 40 & 43
EZ-V® Small Bolt Bag							
Part	Qty	Description	Part	Qty	Description		
21355	2	1/4-20 x 3 Hex Cap Screw G5	92842	2	5/16-24 Hex Jam Nut G5		
90311	4	1/4" Flat Washer	91402	2	10-32 Hex Machine Screw Nut		
91202	2	5/16 Spring Lock Washer	56436	1	Control Bracket		
91242	2	10 Spring Lock Washer	80135	3	6-32 x 1 Tapping Screw		
91331	2	1/4-20 Hex Locknut GB	91230	3	6 Spring Lock Washer		
66130	2	Rubber Grommet	93157	2	8-32 x 3/8 Tapping Screw		
4302	1	In-Line Connector - Insulated	91231	2	8 Spring Lock Washer		
66781 – Backup Ring/O-Ring Kit							
Part	Qty	Description	Part	Qty	Description		
25622	1	O-Ring – 006	56274	2	O-Ring – 013		
55371	5	O-Ring – 008, 90 Durometer	66519	1	O-Ring 2-250		
56776	4	O-Ring – 008, 70 Durometer, Red	56315	1	Backup Ring – 006		
25731	9	O-Ring – 010	66628	4	Backup Ring – 008		
66627	4	O-Ring – 011	56569	4	O-Ring – 906		
ns = not shown							

Motor Manufacturer Identification and Service Parts
 Photos show terminal positions and end caps for brand identification.



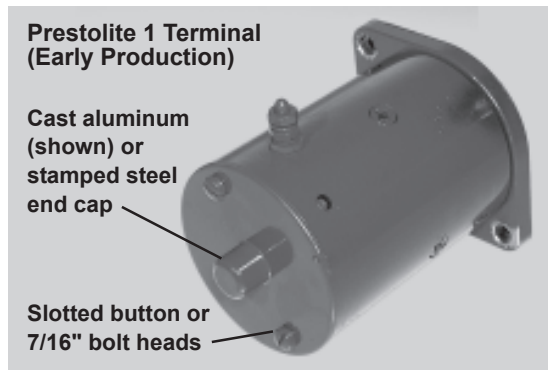
PART #	QTY.	DESCRIPTION
56665	1	Brush Kit - BOSCH 2 Terminal
22342K	1	Motor Cap Screws – MOD HYD
90359	2	Washer SP LK 1/4
21535	1	Washer, Fiber Thrust 5/8 (drive end)



PART #	QTY.	DESCRIPTION
56666	1	END CAP W/ O-RING – PRESTOLITE 2 Terminal
56667	1	Brush Kit – PRESTOLITE 2 TERMINAL
27044K	1	Thru-Bolt Kit – PRESTOLITE 2 TERMINAL (Includes cap screws and special washers.)
56668	1	Thrust Washer KIT – PRESTOLITE 2 Terminal (Includes retaining ring for early production.)

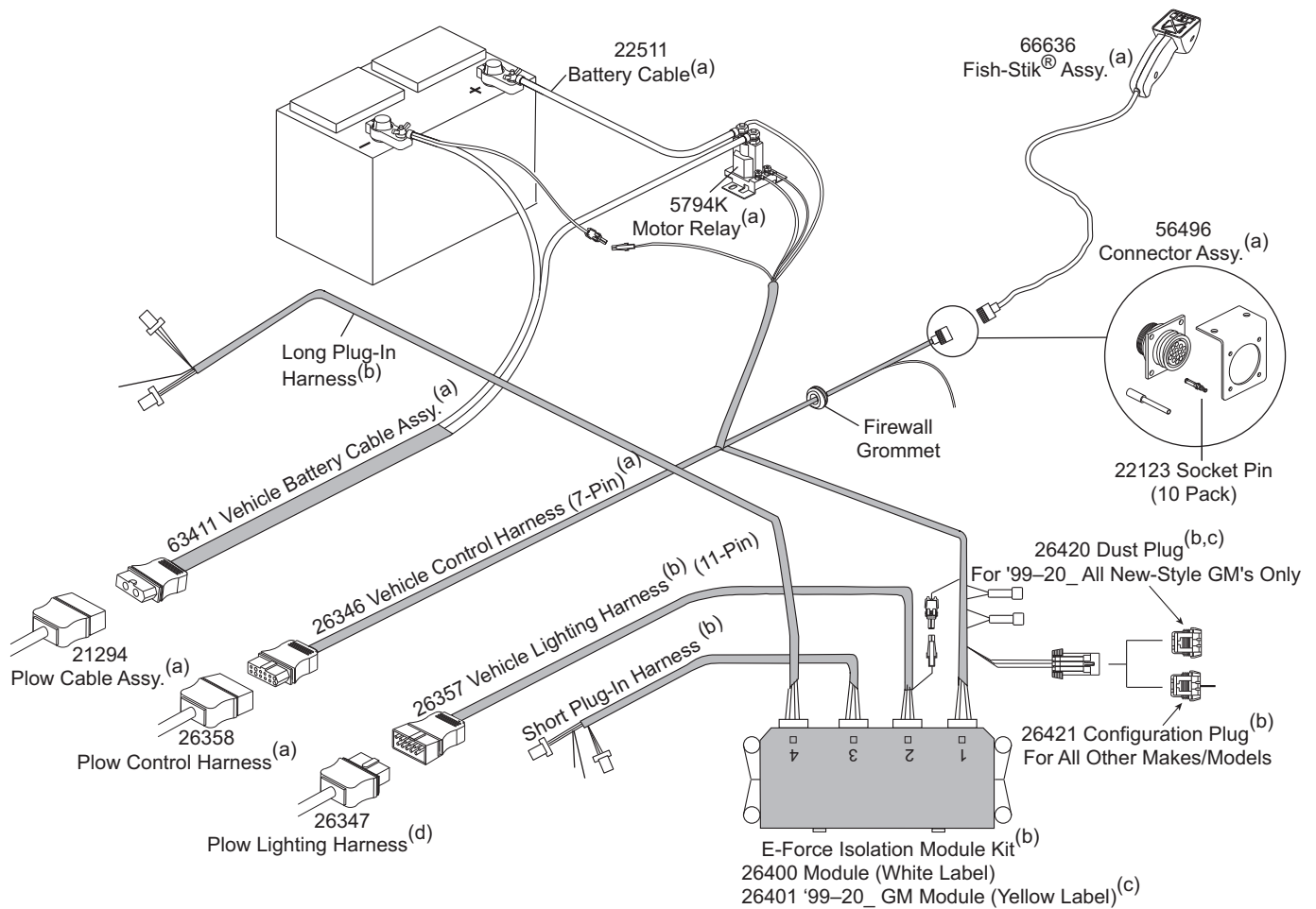


PART #	QTY.	DESCRIPTION
21548	1	Brush Kit – BOSCH 1 Terminal
22342K	1	Motor Cap Screws – MOD HYD
90359	2	Washer SP LK 1/4
21535	1	Washer, Fiber Thrust 5/8 (drive end)



PART #	QTY.	DESCRIPTION
7619	1	Brush Kit – PRESTOLITE 1 Terminal

Harness Wiring Diagram EZ-V® w/ Insta-Act® 9828-2 and Isolation Module Lighting Kit 8435



- (a) Packed in 9828-X hydraulic kit.
- (b) Packed in Peculiar Light Kit.
- (c) Packed in Peculiar Light Kit #8437 only.
- (d) Packed in 8435 Light Kit.

Copyright © 2013 Douglas Dynamics, LLC. All rights reserved. This material may not be reproduced or copied, in whole or in part, in any printed, mechanical, electronic, film or other distribution and storage media, without the written consent of Fisher Engineering. Authorization to photocopy items for internal or personal use by Fisher Engineering outlets or snowplow owner is granted.

Fisher Engineering reserves the right under its product improvement policy to change construction or design details and furnish equipment when so altered without reference to illustrations or specifications used. Fisher Engineering or the vehicle manufacturer may require or recommend optional equipment for snow removal. Do not exceed vehicle ratings with a snowplow. Fisher Engineering offers a limited warranty for all snowplows and accessories. See separately printed page for this important information. The following are registered (®) trademarks of Douglas Dynamics, LLC: EZ-V®, FISHER®, Fisk-Stik®, Insta-Act®.

Printed in U.S.A.