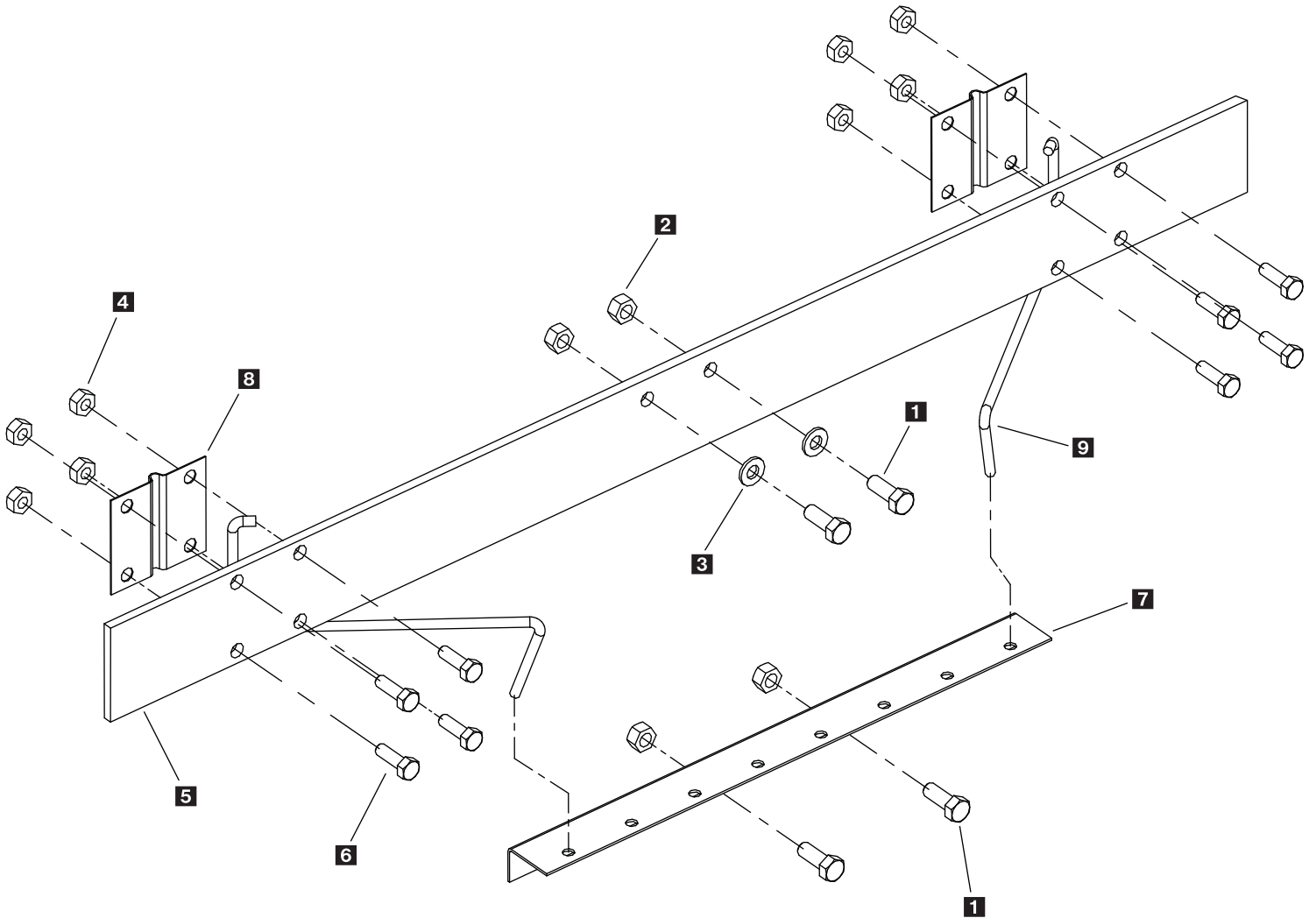


Adjustable Deflector Parts Breakdown

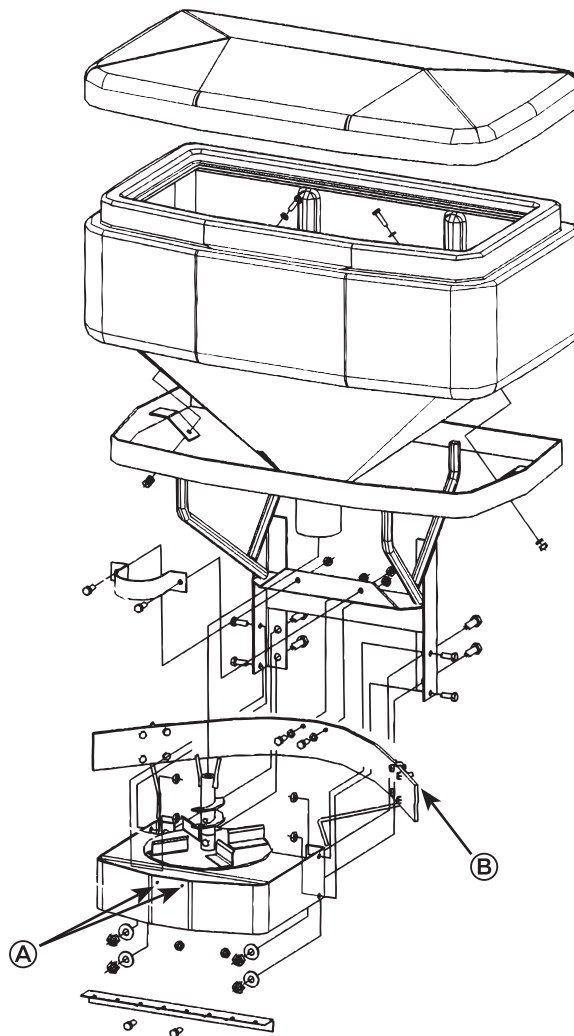
Model #ADF-020 For SP-575 and SP-1075



Key	Part No.	Description	Qty.
1	D 4121	3/8" - 13 x 1" Hex Bolt	2
2	D 4124	3/8" - Locknuts	2
3	D 4125	3/8" - Flatwashers	2
4	D 6138	5/16" - 18 Locknut	10
5	D 6154	36" Deflector	1
6	D 6166	5/16" - 18 x 1" Hex Bolt	10
7	D 6179	Deflector Adjustment Bracket	1
8	D 6180	Adjustment Bar Mounting Bracket	2
9	D 6181	Adjustment Bar	2

Adjustable Deflector Installation Instructions

Model #ADF-020 For SP-575 and SP-1075



SPREADER ASSEMBLY (575 Shown)

INSTALLATION

Step 1: Install deflector adjustment bar as seen in Figure A. If needed, drill two 3/8" holes in front apron of drive enclosure. Bolt bracket to drive enclosure.

Step 2: Remove original deflector.

Step 3: Mount adjustment bar and mounting bracket on back side of 36" deflector. See Figure B.

Step 4: Install 36" deflector assembly.

OPERATION

Step A: To adjust deflector position, simply insert adjustment bars into holes on deflector adjustment bracket until desired spread pattern is achieved.