



PARTS & INSTALLATION INSTRUCTIONS MEYER V - 66 QUIK LIFT®

PART LIST

Item	Part No.	Qty.	Description
	15770	1	Lift and P.A. Ass'y. (Complete) 12 volt
1	15840	1	• Lift Ass'y. (Unit only) 12 volt
2	15783	1	• Harness and Fuse Assembly
3	15370	1	• Starter Solenoid - 12 Volt
4	07071	1	• Ram L.H. with Hose & Fittings
	05437	1	•• Ram 1-1/2" x 12"
5a	22141	1	•• Hose Ass'y. 1/4 x 45" Lg.
6a	21857	1	•• 1/4 x 90 Degree Elbow
7a	15741	1	•• Coupler 1/4 - Male Half (22146)
8a	22143	1	• Coupler Cap
9	07072	1	• Ram R.H. with Hose & Fittings
	05437	1	•• Ram 1-1/2" x 12"
5b	22144	1	•• Hose Ass'y. 1/4 x 45" Lg.
6b	21857	1	•• 1/4 x 90 Degree Elbow
7b	15741	1	•• Coupler 1/4 - Female Half (22145)
8b	22142	1	• Coupler Plug
10	15811	1	• Pigtail Assembly
11	15671	1	• Power Cable - 63" - RED
12	15672	1	• Ground Cable - 42" - BLACK
13	05024	1	• Power Cable - 36"
14	15669	1	• Weather Plug - Solenoid Wires
15	36248	1	• Weather Plug - Power Cables
16	08473	1	• Relief Valve Kit - Reservoir
	15765	1	• Hardware Bag
17	07273	1	•• Tap Connector
18	15102	1	•• Bolt 5/16-18 x 1-1/2" Gr.2
19	15673	1	•• Control Switch Bracket
20	15675	1	•• Clamp Plate
21	15676	1	•• Backup Plate
22	20312	2	•• Locknut 1/4-20
23	20863	2	•• Machine Screw 1/4-20 x 1" RND. HD.
24	21398	2	•• S. Tapping Screw 1/4-14 x 3/4"
25	21400	1	•• Washer INT/Ext Tooth 5/16
26	21832	1	•• Bushing - Split
27	21953	1	•• Decal - Danger (Mount on Dashboard)
28	22173	1	• Control Switch Assembly
	08688	1	• Hardware Bag (P.A. Rams)
29	20150	2	•• Bolt H 5/8-11 x 4-1/2" Gr. 5
30	20151	2	•• Bolt H 5/8-11 x 4-3/4" Gr. 5
31	20309	4	•• Locknut 5/8-11
*	08642	1	Kit Bracket (Floor Mount) * Optional
32	15677	1	•• Bracket Floor
33	21398	4	•• Hex Head Self Tapping SCrew 1/4-14 x 3/4"
34	20325	4	•• Lockwasher 1/4"

Parts indented are included in the carton, bag or assembly under which they are indented. When ordering parts, furnish Part No., Name, and Description. Also furnish Vehicle Model and Year. Type of Hydraulic Unit and Moldboard Size.

Meyer Products reserves the right, under its continuing product improvement program, to change construction or design details, specifications and prices without notice or without incurring any obligation.

Meyer Products
18513 Euclid Ave. • Cleveland, Ohio 44112-1084
Phone 486-1313 (Area Code 216)
email • warranty@meyerproducts.com



Diamond Equipment
6 Angell Lane • Damariscotta, ME 04543-9720
Phone 563-2227 (Area Code 207)
www.diamondplow.com • email info@diamondplow.com

GENERAL INFORMATION

CAUTION: Always disconnect battery prior to installation.

SAFETY PRECAUTIONS should be used when **Quik Lift®** is in a **RAISED** position. **LOWER** plow to the ground when vehicle is **PARKED**.

OVERHAUL and SERVICE information is covered on separate instructions.

Note:

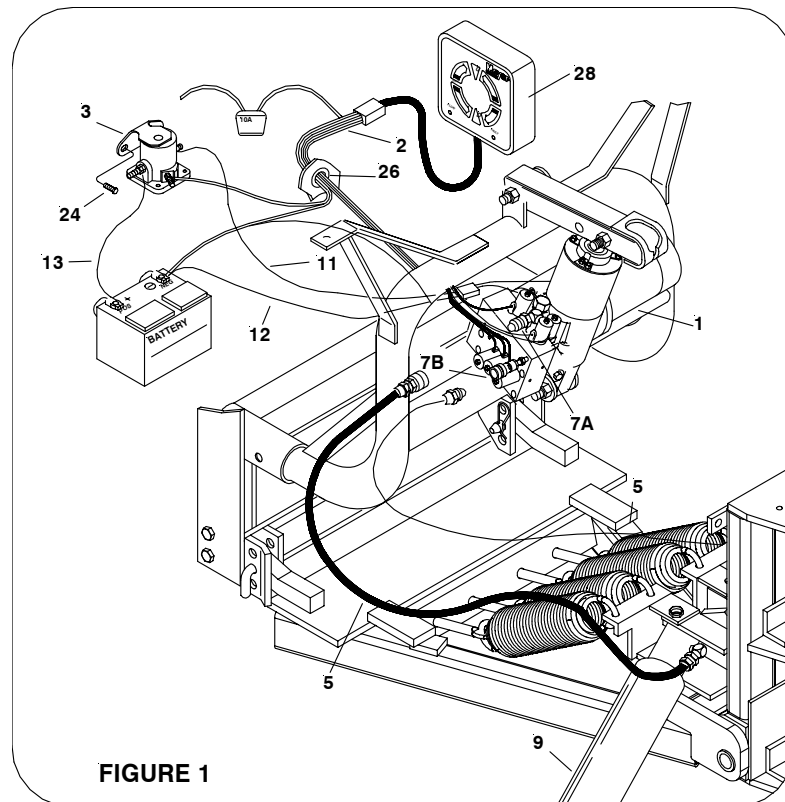
1. Connect ground cable to negative side of battery for a solid connection to ground.
2. Caution: Route all cables away from moving engine parts, Manifolds, and sharp sheet metal.
3. For weather protection, tape all electrical connections at front of vehicle.
4. The vehicle must be equipped with a "Heavy Duty Battery" (70 Amp, Hr. Min.), 550 C.C.A. and "Alternator" (60 Amp. Min.) to obtain maximum performance.
5. Follow these instructions explicitly. Warranty does not apply to a Meyer product which has been negligently or improperly assembled or installed.

INSTALLATION INSTRUCTIONS

- A. Install the V-66 Lift Assembly (1) to Lift Frame (Using bolts supplied in the mounting carton), with the Electric Motor toward the left hand side (Driver's side); attach the lift ram in the outer hole of the Lift Arm.

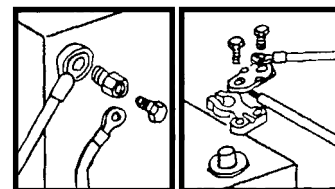
NOTE: If V-66 is to be used on the older style (fixed) mountings, the unit may require being rotated 180 degrees with the Electric Motor to the right hand side (Passenger Side) of the vehicle.

- B. Remove shipping plug from filler hole and install Relief Valve Kit (16). Tighten to 100 - 125 in. lbs.
- C. Install Coupler Cap and Plug (8a,b) onto Power Angling Block per illustration.
- D. Install Pigtail (10) to Lift Unit (1) with the red leg to the (+) motor stud and black leg to the (-) motor stud as per figure 2A. Attach the other black leg of Pigtail (10) to the base of the Lift Unit (1) as per figure 2 using bolt (18) and lockwasher (25). Place lockwasher (25) between cable terminal and base so it bites into paint for proper ground.
- E. When Lift (1) is removed, Protect the sockets from corrosion by using Weather Plugs (14&15).



ADDITIONAL BATTERY CONNECTORS:

- a. When attaching cables to battery with side post terminals, use M.P. Adaptor Part # 21976 and attach as shown in figure 1.
- b. Figure 2 illustrates the method of using a repair type terminal connector which is original equipment on some vehicles.



□□□. 1

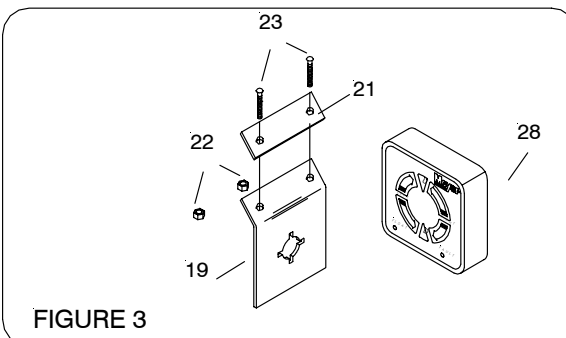
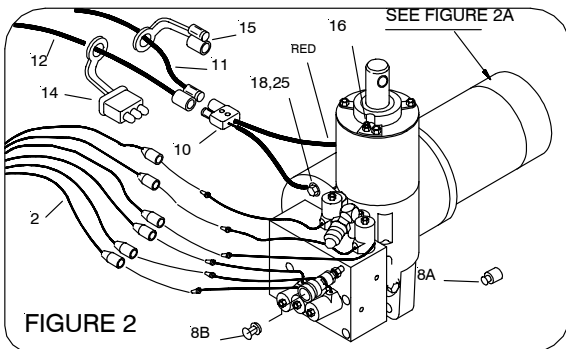
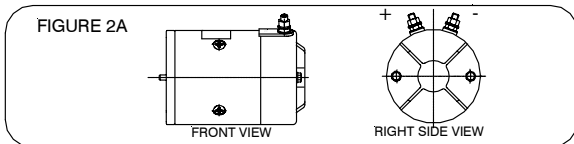
□□□. 2

Warning:

Lift Arm extends beyond bumper of vehicle. To minimize damage from a front-end collision, lift arm should be removed from the vehicle when snow plow is not in use.

- F. Choose a convenient location for the control switch. If the desired location is the dashboard, install Bracket (19) by drilling 2 holes in the dashboard and secure using Round head Machine Screws (23) and Locknuts (22). Install Back-up Plate (21) behind dash for added stiffness. See figure 3. Also apply Danger Decal (27) to Dashboard.
- G. To mount control to shift lever, use Bracket (19), Clamp Plate (20), Round Head Machine Screws (23) and Locknuts (22). See figure 3.
- H. See separate instructions for plow light installation.

V-66 COLOR CODES:	
RAISE	GREY
LOWER	BLACK
LEFT EXTEND	YELLOW
LEFT RETRACT	BROWN
RIGHT EXTEND	PINK
RIGHT RETRACT	PURPLE



- I. Use Bushing (26) where Harness (2) is routed through firewall and radiator support panel. Requires 7/8" diameter hole. Be certain to route all wiring around hot or moving engine parts, any sharp sheet metal. Protection must be provided to guard against wire damage at these points. All excess or loose wire must be neatly secured using wire ties. Fused lead from wiring Harness (2) must be attached to terminal in fuse panel that is activated only when the ignition key is "on." The five colored wires in Harness (2) must be routed through grill to V-66 unit.
- J. Install Starter solenoid (3) to metal surface in engine compartment using Screws (24). (Solenoid must be grounded to operate). Slide Weather Plugs (14&15) over Power Cable (11) and Ground Cable (12). Attach Red Power Cable (11) to large terminal on Starter solenoid (3) and route plug-end to front grill area of truck. Attach Black Ground Cable (12) to negative (-) terminal of battery and route plug-end to front grill area. Attach 36" Power Cable (13) to positive (+) terminal of battery and remaining large terminal on Starter Solenoid (3). Attach small white wire from harness (2) to small terminal on Starter Solenoid (3).

POWER ANGLING CYLINDERS

Attach Power Angling Cylinders (4 & 9) to Pivot Assembly and Moldboard Wings using Bolts (29 & 30) and Locknuts (31).

Make certain Ram (4) with hose (5) and Male-half of coupler (7) is on Drivers's side and Ram (9) with Hose (5) and Female-half of coupler (7) is on Passenger-side.

Note when the Moldboard assembly is removed from the vehicle, to prevent contamination to the Couplers and Hydraulic system, the L.H. and R. H. Power Angling hoses must be re-attached by plugging the Coupler (7a, 7b) together. Also where the power angling hoses were uncoupled at the hydraulic unit, attach coupler Cap (8a) and Plug (8b) to the female and male halves of coupler.

Power angling cylinders furnished with the Quick Lift® have **not** been factory filled. It will be necessary to fill and add fluid to Reservoir or to bleed the Power Angling Cylinders, proceed as follows:

- a. Remove Relief Valve (16) from Reservoir to add fluid during charging and bleeding.
- b. Temporarily loosen hose connections at the R.H., L.H. Power angling Cylinders. Base end of cylinder must be higher than rod end to enable trapped air to escape.
- c. Angle the plow in both directions until fluid leaks out at both points in a steady flow.
- d. Retighten the hose connections

Proper Fluid level is 1-1/2" below filler hole. Oil level should be checked with the lift arm fully retracted (down).