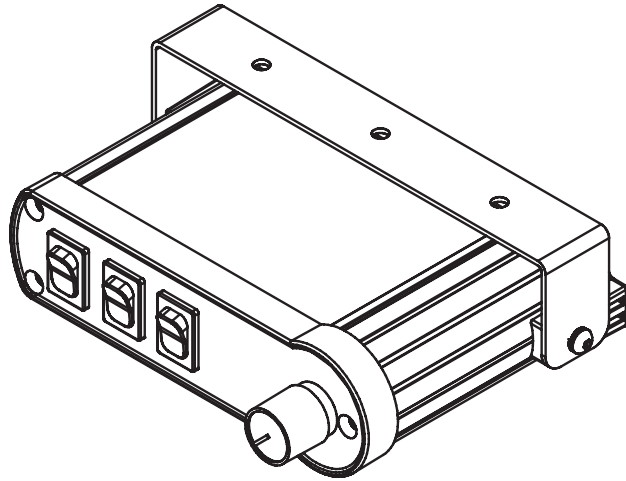


# Installation Instructions

## Part No. 22800 Speed Controller

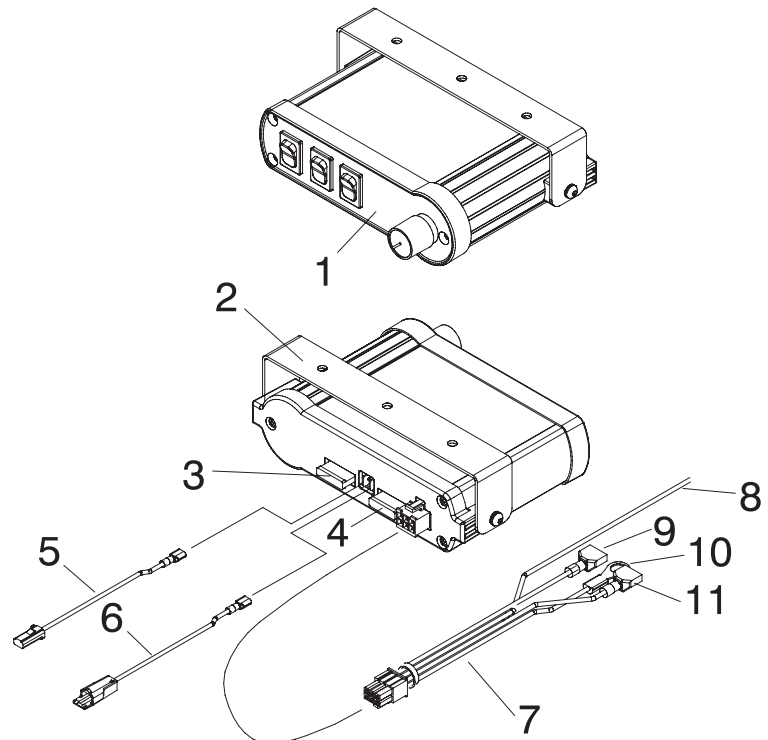
### Installation & Operation



#### INSTALLATION INSTRUCTIONS (2 wire harness)

- A. Choose a convenient location to mount controller (1). Mount mounting bracket (2) inside vehicle cab using three #10 x 1/2" pan phillips head screws provided.
- B. Connect Black wire (10) from pigtail (7) to ground. Black wire must be grounded before connecting any other wires.  
**CAUTION:** Controller will be damaged if this is not followed.
- C. Connect Blue wire (8) from pigtail (7) to brake light.
- D. Connect White wire (9) from pigtail (7) to vibrator white wire if equipped.
- E. Connect Red wire (11) from pigtail (7) to a 12 volt keyed accessory.
- F. Connect White jumper wire (5) to connector marked (Motor White wire) on the back of the controller (1) and to matching connector on spreader harness.
- G. Connect Red jumper wire (6) to connector marked (Battery Red wire) on the back of the controller (1) and to matching connector on spreader harness.

- #3 30 Amp fuse  
#4 10 Amp fuse



**Meyer Products LLC assumes no responsibility for installations not made in accordance with these instructions.**

Meyer Products LLC reserves the right, under its continuing product improvement program, to change construction or design details, specifications and prices without notice or without incurring any obligation.

Meyer Products LLC  
18513 Euclid Ave. • Cleveland, Ohio 44112-1084  
Phone 486-1313 (Area Code 216)  
email warranty@meyerproducts.com

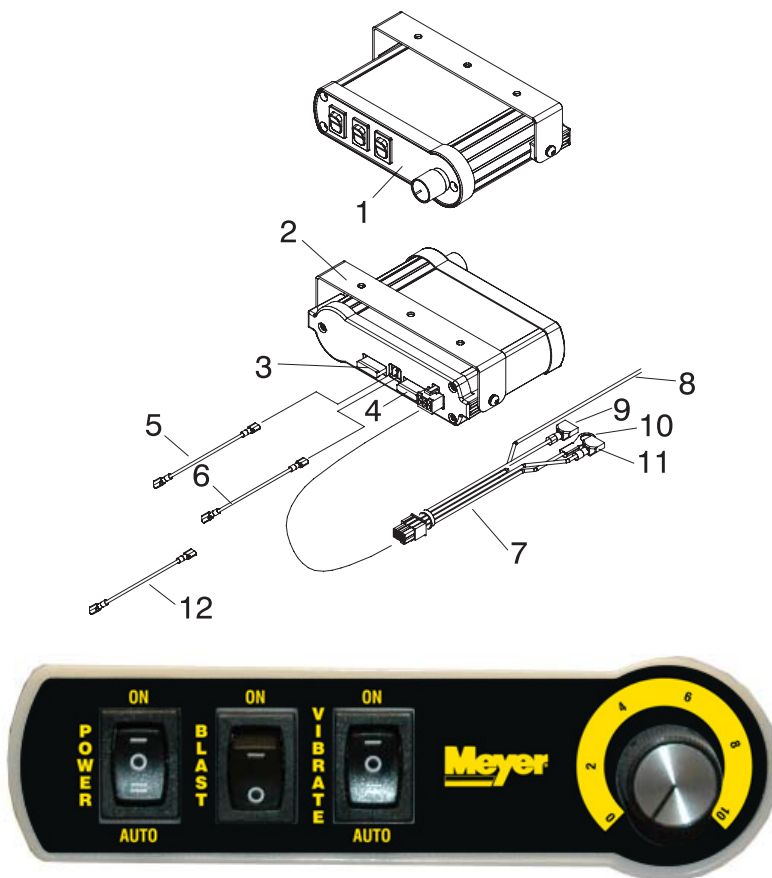
Meyer New England  
#6 Angell Lane • Damariscotta, ME 04543-9720  
Phone 563-2227 (Area Code 207)  
www.diamondplow.com • email info@diamondplow.com

## INSTALLATION INSTRUCTIONS (4 wire harness)

- A. Choose a convenient location to mount controller (1). Mount mounting bracket (2) inside vehicle cab using three #10 x 1/2" pan phillips head screws provided.
- B. Connect Black wire (10) from pigtail (7) to ground. Black wire must be grounded before connecting any other wires.  
CAUTION: Controller will be damaged if this is not followed.
- C. Connect Blue wire (8) from pigtail (7) to brake light.
- D. Connect White wire (9) from pigtail (7) to vibrator white wire if equipped.
- E. Connect Red wire (11) from pigtail (7) to a 12 volt keyed accessory.
- F. Connect White jumper wire (5) to connector marked (Motor White wire) on the back of the controller (1) and to matching connector (white wire) on spreader harness.
- G. Connect Red jumper wire (6) to connector marked (Battery Red wire) on the back of the controller (1) and to matching connector (red wire) on spreader harness.
- H. Connect brown and black wires on spreader harness together using Black jumper wire (12).

#3 30 Amp fuse

#4 10 Amp fuse



## SPREADER CONTROLLER OPERATION

The controller is equipped with a power on switch, blast switch, vibrate switch and rotary speed control. Once the ignition key is turned to the ON position, the controller face plate will illuminate white indicating that the controller is ready for operation. During operation, face plate color will vary depending on the mode of operation and status of the controller. If the vehicle ignition is shut off while the controller power switch is in the ON or AUTO position the controller will turn off. Once the vehicle ignition is turned back on the controller will not illuminate or turn on unless the controller power switch is first turned off.

To start the spreader, be sure that the vehicle engine is running to prevent battery from wearing down, flip the power switch to position I for normal mode or position II for auto mode. Once power switch is ON, the spreader will power up with 5 full blast for approximately one second then drop to wherever the dial has the speed set at. Adjust the speed of the spreader by rotating the dial clockwise for faster and counterclockwise for slower. The face plate will illuminate greener as the speed increases and will change completely to green at maximum speed.

If auto mode is selected, the face plate color will change to amber, the spreader will power up with 5 full blast for approximately one second then drop to wherever the dial has the speed set at. In this mode, if the brake is applied for more than 5 seconds, the spreader will stop and once the brake pedal is released, spreader will resume its operation.

The blast switch provides momentary full power override. During operation if blast switch is depressed, spreader will go on to full speed and the face plate color will change to blue.

If vibrator switch is flipped to the ON position I, vibrator motor will be activated as long as the switch is maintained at position I and the face plate will illuminate purple. If vibrator auto mode is selected at position II, vibrator motor will activate for 10 seconds every 60 seconds and will cycle the motor ON and OFF as long as the switch is maintained at AUTO position II. Face plate will change color to purple whenever the vibrator motor is activated.

In case there is an overload condition, the face plate will change to red color and the spreader will stop. The Power ON / OFF or AUTO switch will need to be turned OFF to reset the controller.

**Meyer Products LLC assumes no responsibility for installations not made in accordance with these instructions.**