

4-Piece Cutting Edge Kits

V-Plow Snowplows with Center Cutting Edge Gap Setter (Spacer Plate)

INSTALLATION INSTRUCTIONS

⚠ WARNING

Blade can drop unexpectedly. Place T-frame on jack stands. Failure to do so could result in serious personal injury.

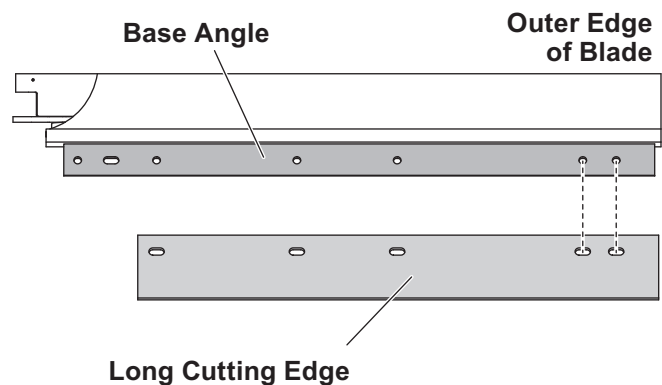
⚠ CAUTION

Read this document before installing the 4-piece cutting edge kit.

⚠ CAUTION

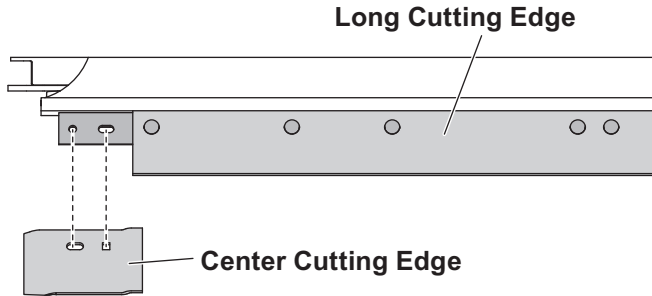
Use standard methods and practices when attaching snowplow and installing accessories, including proper personal protective safety equipment.

1. Park the vehicle on a smooth, level, hard surface, such as concrete. With the wings in the straight position, raise the blade, then turn the control OFF.
2. From the side of the blade assembly, place jack stands under the T-frame.
3. Turn the control ON, then lower the blade onto the jack stands. Turn the control OFF. Turn the vehicle ignition to the "OFF" position and remove the key.
4. Remove and discard the existing cutting edges and fasteners from the blade.
5. Align one of the long, flat cutting edge sections with the outer edge of the blade and the holes in the base angle. The pair of slots in the cutting edge should be on the outside of the blade.



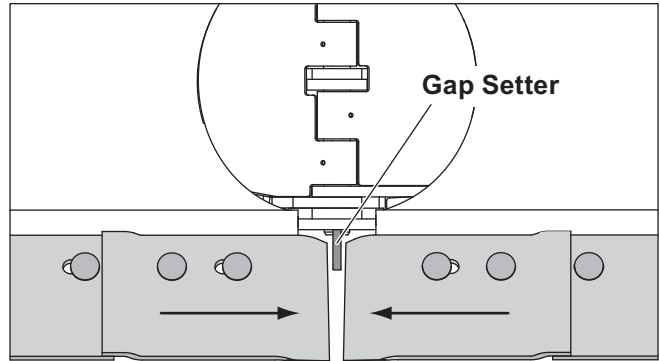
6. Insert the supplied carriage bolts through the outer five cutting edge slots and through the base angle. Attach a locknut to each of the carriage bolts and torque to 150 ft-lb.
7. Repeat Steps 1–6 on the opposite side.

8. Align one center cutting edge with the remaining two holes in the base angle. The tab on the center cutting edge will overlap the long, flat cutting edge section.



9. Insert carriage bolts through the two holes in the center cutting edge and through the base angle. Attach locknuts to the carriage bolts, but do not tighten them yet.
10. Repeat Steps 8 and 9 on the opposite side.

11. Slide both center cutting edges inward until they contact the gap setter (spacer plate), located on the T-frame.



12. Torque the center cutting edge fasteners to 150 ft-lb.
13. Turn the vehicle ignition and the snowplow control ON. Raise the blade slightly from the jack stands. Turn the control OFF and remove the jack stands.
14. Standing 8' clear of the blade, lower the blade to the ground. Turn the control OFF.
15. Level the T-frame according to the instructions in the snowplow Installation Instructions or Owner's Manual.

The company reserves the right under its product improvement policy to change construction or design details and furnish equipment when so altered without reference to illustrations or specifications used. This equipment manufacturer or the vehicle manufacturer may require or recommend optional equipment for snow removal. Do not exceed vehicle ratings with a snowplow. The company offers a limited warranty for all snowplows and accessories. See separately printed page for this important information.