



MOUNT KIT

Dodge Ram 2500/3500

2010 - ___

Installation Instructions

⚠ CAUTION

Read this document before installing the snowplow.

⚠ CAUTION

See your FISHER® outlet/website for specific vehicle application recommendations before installation. The eMatch tool has specific vehicle and snowplow requirements.

SAFETY DEFINITIONS

⚠ WARNING

Indicates a potentially hazardous situation that, if not avoided, could result in death or serious personal injury.

⚠ CAUTION

Indicates a potentially hazardous situation that, if not avoided, may result in minor or moderate injury. It may also be used to alert against unsafe practices.

NOTE: Indicates a situation or action that can lead to damage to your snowplow and vehicle or other property. Other useful information can also be described.


WARNING/CAUTION AND INSTRUCTION LABELS


Become familiar with and inform users about the warning/caution labels on the back of the blade and the instruction label on the headgear.

NOTE: If labels are missing or cannot be read, see your sales outlet.


Warning/Caution Label


⚠ WARNING


 Lower blade when vehicle is parked.


 Do not exceed GVWR or GAWR including blade and ballast.

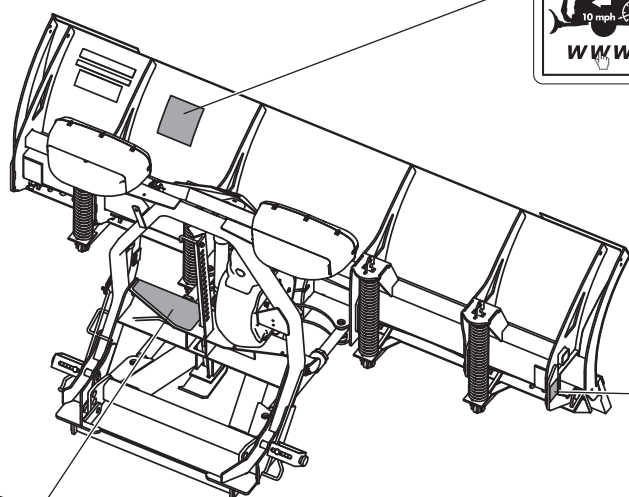
⚠ CAUTION

 Read Owner's Manual before operating or servicing snowplow.

 Transport speed should not exceed 45 mph (72 km/h). Further reduce speed under adverse travel conditions.

 Plowing speed should not exceed 10 mph (16 km/h).

 See your sales outlet/Web site for specific vehicle application recommendations. 59903



Multiple Pinch Points Label

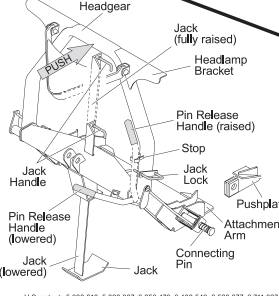
⚠ WARNING



Multiple Pinch Points

**XLSTM™ Blades Only
(both sides)**

Instruction Label



1. Push **Pin Release Handle** down to pull out **Connecting Pins**.
2. Drive vehicle slowly to engage **Pushplates** into **Attachment Arms**.
3. Stand in front of blade. Fully raise **Pin Release Handle** to release **Connecting Pins**.
4. Push **Headgear** toward vehicle to allow **Connecting Pins** to fully engage **Pushplates**. If unable to push **Headgear** from in front of blade, stand in front of **Headgear** on driver side and push **Headlamp Bracket**.
5. Pull out **Jack Lock**. Push **Pin Release Handle** into **Stop**.
6. While holding **Jack Lock** out, use **Jack Handle** to raise **Jack** fully. Release **Jack Lock**.
7. Attach all electrical connectors.

U.S. patents 5,638,618; 5,899,907; 6,253,470; 6,498,549; 6,828,671; 6,711,837; 6,828,757; 6,944,978; 7,400,058; 7,430,821; 7,681,334; 7,737,576; 7,797,859;
CAN patents 2,184,922; 2,229,793; 2,354,297; 2,356,036; 2,632,102; 2,639,052;
and other patents pending.

Read Owner's Manual for complete instructions.

1. Place control in Lower/Float to put blade down.
2. Pull and hold **Jack Lock** out. **Jack** will drop to ground. Then pull **Pin Release Handle** away from **Stop** and **Jack Lock**. Release **Jack Lock**. Verify that **Jack** is locked by trying to lift **Jack**.

ATTACH
DETACH

SAFETY PRECAUTIONS

Improper installation and operation could cause personal injury and/or equipment and property damage. Read and understand labels and the Owner's Manual before installing, operating, or making adjustments.

⚠ WARNING

Lower the blade when vehicle is parked. Temperature changes could change hydraulic pressure, causing the blade to drop unexpectedly or damaging hydraulic components. Failure to do this could result in serious personal injury.

⚠ WARNING

The driver shall keep bystanders clear of the blade when it is being raised, lowered, or angled. Do not stand between the vehicle and the blade or within 8 feet of a moving blade. A moving or falling blade could cause personal injury.

⚠ WARNING

Keep hands and feet clear of the blade and A-frame when mounting or removing the snowplow. Moving or falling assemblies could cause personal injury.

⚠ WARNING

Do not exceed GVWR or GAWR including the blade and ballast. The rating label is found on the driver-side vehicle door cornerpost.

⚠ WARNING

To prevent accidental movement of the blade, always turn the control OFF whenever the snowplow is not in use. The power indicator light will turn OFF.

⚠ WARNING

Remove blade assembly before placing vehicle on hoist.

⚠ CAUTION

Refer to the eMatch tool for minimum vehicle recommendations and ballast requirements.

PERSONAL SAFETY

- Remove ignition key and put the vehicle in park or in gear to prevent others from starting the vehicle during installation or service.
- Wear only snug-fitting clothing while working on your vehicle or snowplow.
- Do not wear jewelry or a necktie, and secure long hair.
- Wear safety goggles to protect your eyes from battery acid, gasoline, dirt, and dust.
- Avoid touching hot surfaces such as the engine, radiator, hoses, and exhaust pipes.
- Always have a fire extinguisher rated BC handy, for flammable liquids and electrical fires.

FIRE AND EXPLOSION

⚠ WARNING

Gasoline is highly flammable and gasoline vapor is explosive. Never smoke while working on vehicle. Keep all open flames away from gasoline tank and lines. Wipe up any spilled gasoline immediately.

Be careful when using gasoline. Do not use gasoline to clean parts. Store only in approved containers away from sources of heat or flame.

CELL PHONES

A driver's first responsibility is the safe operation of the vehicle. The most important thing you can do to prevent a crash is to avoid distractions and pay attention to the road. Wait until it is safe to operate Mobile Communication Equipment such as cell phones, text messaging devices, pagers, or two-way radios.

VENTILATION

⚠ WARNING

Vehicle exhaust contains lethal fumes. Breathing these fumes, even in low concentrations, can cause death. Never operate a vehicle in an enclosed area without venting exhaust to the outside.

NOISE

Airborne noise emission during use is below 70 dB(A) for the snowplow operator.






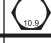


VIBRATION

Operating snowplow vibration does not exceed 2.5 m/s² to the hand-arm or 0.5 m/s² to the whole body.

TORQUE CHART

⚠ CAUTION

Read instructions before assembling. Fasteners should be finger tight until instructed to tighten according to the torque chart. Use standard methods and practices when attaching snowplow, including proper personal protective safety equipment.

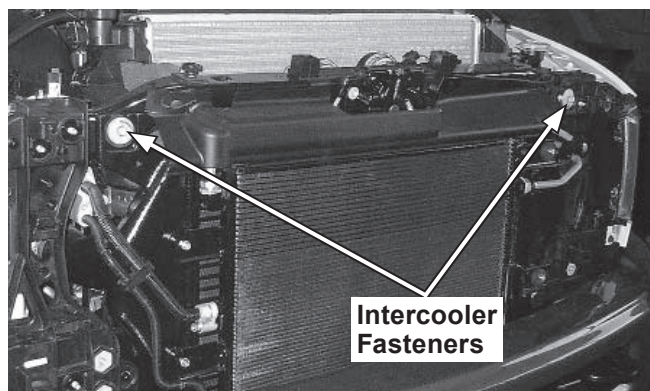
Recommended Fastener Torque Chart					
Inch Fasteners Grade 5 and Grade 8					
Size	Torque (ft-lb)		Size	Torque (ft-lb)	
	 Grade 5	 Grade 8		 Grade 5	 Grade 8
1/4-20	8.4	11.9	9/16-12	109	154
1/4-28	9.7	13.7	9/16-18	121	171
5/16-18	17.4	24.6	5/8-11	150	212
5/16-24	19.2	27.3	5/8-18	170	240
3/8-16	30.8	43.6	3/4-10	269	376
3/8-24	35.0	49.4	3/4-16	297	420
7/16-14	49.4	69.8	7/8-9	429	606
7/16-20	55.2	77.9	7/8-14	474	669
1/2-13	75.3	106.4	1-8	644	909
1/2-20	85.0	120.0	1-12	704	995
Metric Fasteners Class 8.8 and 10.9					
Size	Torque (ft-lb)		Size	Torque (ft-lb)	
	 Class 8.8	 Class 10.9		 Class 8.8	 Class 10.9
M6 x 1.00	7.7	11.1	M20 x 2.50	325	450
M8 x 1.25	19.5	26.9	M22 x 2.50	428	613
M10 x 1.50	38.5	53.3	M24 x 3.00	562	778
M12 x 1.75	67	93	M27 x 3.00	796	1139
M14 x 2.00	107	148	M30 x 3.50	1117	1545
M16 x 2.00	167	231	M33 x 3.50	1468	2101
M18 x 2.50	222	318	M36 x 4.00	1952	2701
These torque values apply to fasteners except those noted in the instructions.					

INSTALLATION INSTRUCTIONS

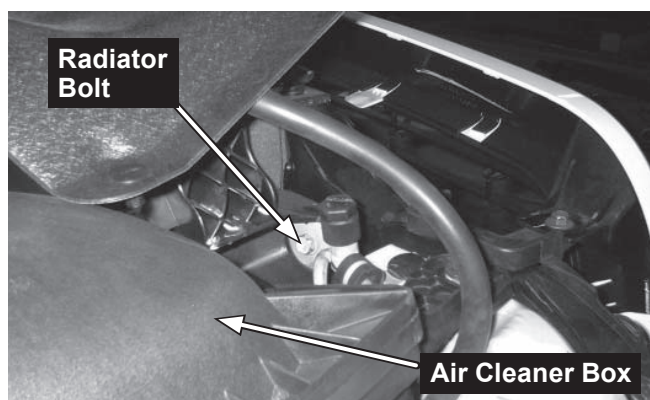
NOTE: For easier assembly and installation, the vehicle and all snowplow components should be on a smooth, level, hard surface, such as concrete.

1. Remove the license plate bracket and retain for the vehicle owner. Remove the bumper from the bumper brackets. Retain the fasteners.
2. Remove the bumper brackets from the frame. Retain the fasteners.

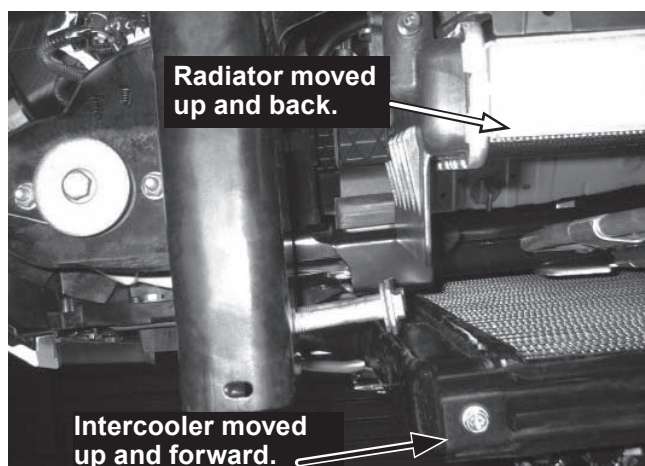
On Diesel applications, you must first remove the top two intercooler fasteners, then push the intercooler up and out to provide clearance for removing the bumper bracket bolt assembly.



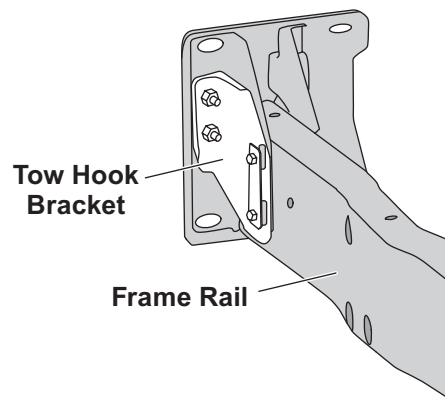
On model year 2011 and later vehicles, the radiator may need to be moved rearward to allow removal of the bumper bracket bolt. This is due to an added plastic and foam air-management structure on these vehicles. To move the radiator, remove the upper radiator bolts. The air cleaner box may have to be removed to access the passenger-side radiator bolt.



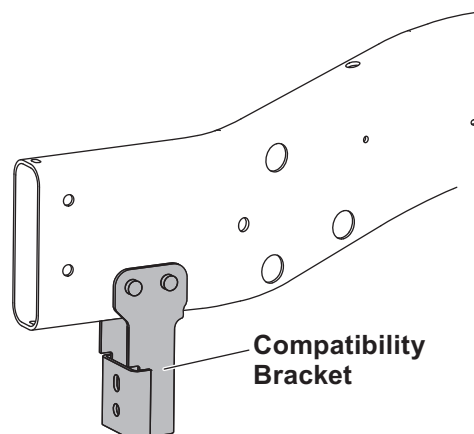
From underneath the truck, gently push the radiator up to clear the hooks that secure its lower section and move it rearward.



Vehicles equipped with tow hooks will need the tow hooks and tow hook brackets removed. These cannot be reinstalled with the snowplow mount in place. Retain the tow hooks, brackets, and fasteners for reinstallation if the mount is removed.



3. Remove the compatibility brackets from the frame, if so equipped (see illustration below). Save the brackets and hardware for the vehicle owner.

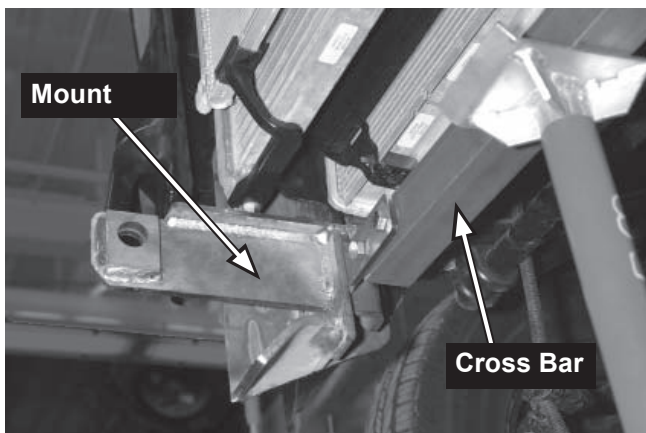


4. Install the first mount by holding the front portion of the mount in place and securing it with the previously removed bumper bracket bolt assembly.

On vehicles with compatibility brackets: Use the 5/8" x 4-1/2" cap screw and 5/8" locknut, inserting into the rear of the mount. Hand tighten the fastener.

The 1/2" x 1-1/2" cap screws with handles are **not** used for this application.

Continue to Step 5.

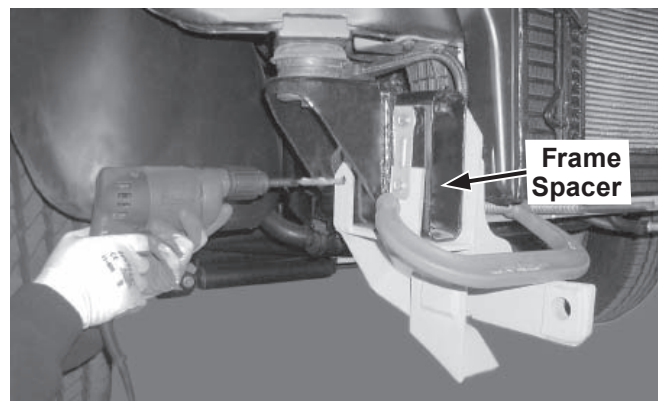


On vehicles without compatibility brackets: Clamp the rear portion of the mount into position on the truck frame, making sure the mount is tight against the bottom of the frame.

⚠ CAUTION

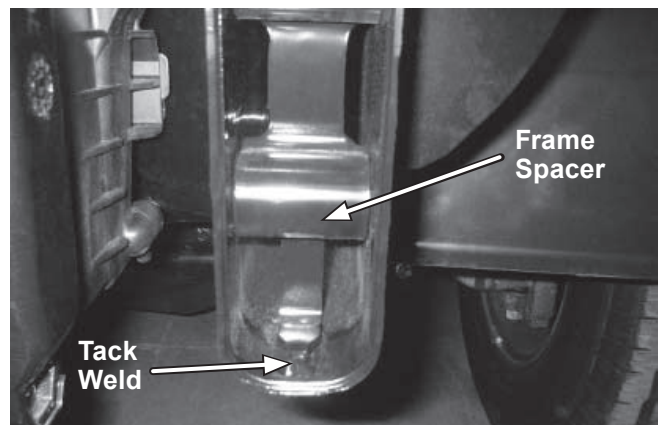
Before drilling any holes, check both sides of the material for any wires, fuel lines, fuel tanks, etc., that may be damaged by drilling.

Using the 11/16" diameter holes in the mounts as guides, drill an 11/16" diameter hole through the inner wall of the frame rail. On some models, including Diesels, access to the inner frame rail will be blocked. For these instances, use the hole in the outer tab of the mount as a guide to drill through the outer wall of the frame, then proceed through the inner wall.



Use the hole in the bottom rear of the mount as a guide to drill a 17/32" hole through the bottom of the frame rail.

Pull up and forward on the bottom tab of the frame spacer, creating enough room to install the 1/2" cap screws with handles. On some vehicle model years, the frame spacer is tack welded in position. This tack weld will need to be removed or broken to allow the tab to pull up out of its slot in the frame.



Insert one 1/2" x 1-1/2" cap screw with handle past the opening in the front frame spacer and into the truck frame. Do not put a washer on this cap screw. Fasten with a 1/2" locknut.

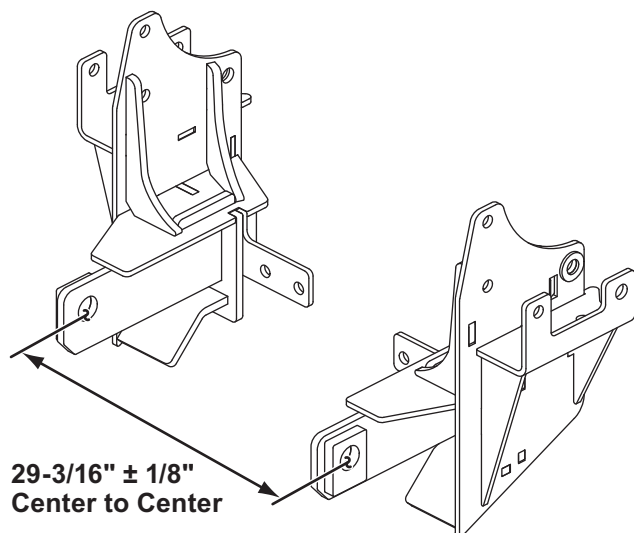
Insert a 5/8" nut with handle through the frame opening and align with the drilled hole in the inner frame wall. Insert the 5/8" x 1-3/4" cap screw through the drilled hole and thread it into the nut with handle. Hand tighten the fasteners.

Place the frame spacer back into its original position.

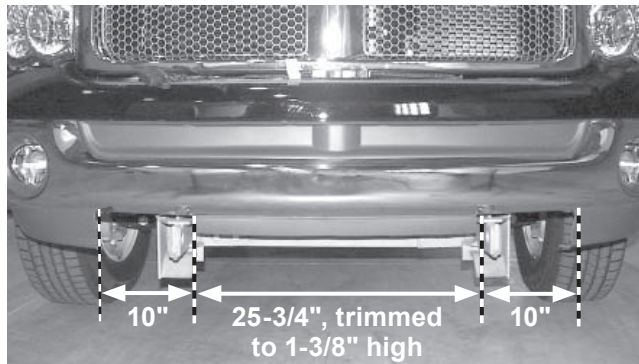
NOTE: Do not use a 5/8" x 4-1/2" cap screw for this application. Using this long fastener will crush the truck frame when torqued.

5. Install the other mount as described in Steps 1–4.
6. Install the cross bar with the horizontal leg on the bottom, as shown in the first photo in Step 4, using four 1/2" x 1-1/2" cap screws and 1/2" locknuts. Hand tighten the fasteners.

Measure the distance between the connecting pin doublers. The distance should be $29\text{-}3/16" \pm 1/8"$ from center to center. Take a second measurement farther back on the mount to ensure that the mounts are parallel.



7. Remove or notch the air dam to allow sufficient clearance for the mounts and for mounting the blade assembly. Suggested modification is shown below.



8. Remove the bolt assembly from the front of the mount. Reattach the bumper brackets again using the bolt assembly, making sure to install the assembly from the inside of the frame. Verify that the bumper brackets are between the frame and the mount tabs.
9. Reposition and secure the air cleaner box, radiator, and intercooler, if they were moved in Step 2.
10. Reattach the bumper to the bumper brackets using existing hardware.
11. Tighten all fasteners according to the torque chart.

NOTE: After five to ten hours of snowplow usage, retorque all mount assembly fasteners.



Fisher Engineering
50 Gordon Drive
Rockland, ME 04841-2139
www.fisherplows.com

A DIVISION OF FISHER, LLC

Fisher Engineering reserves the right under its product improvement policy to change construction or design details and furnish equipment when so altered without reference to illustrations or specifications used. Fisher Engineering or the vehicle manufacturer may require or recommend optional equipment for snow removal. Do not exceed vehicle ratings with a snowplow. Fisher Engineering offers a limited warranty for all snowplows and accessories. See separately printed page for this important information. The following are registered (®) or unregistered (™) trademarks of Douglas Dynamics, LLC: FISHER®, Minute Mount® 2, XLS™.

Printed in U.S.A.