



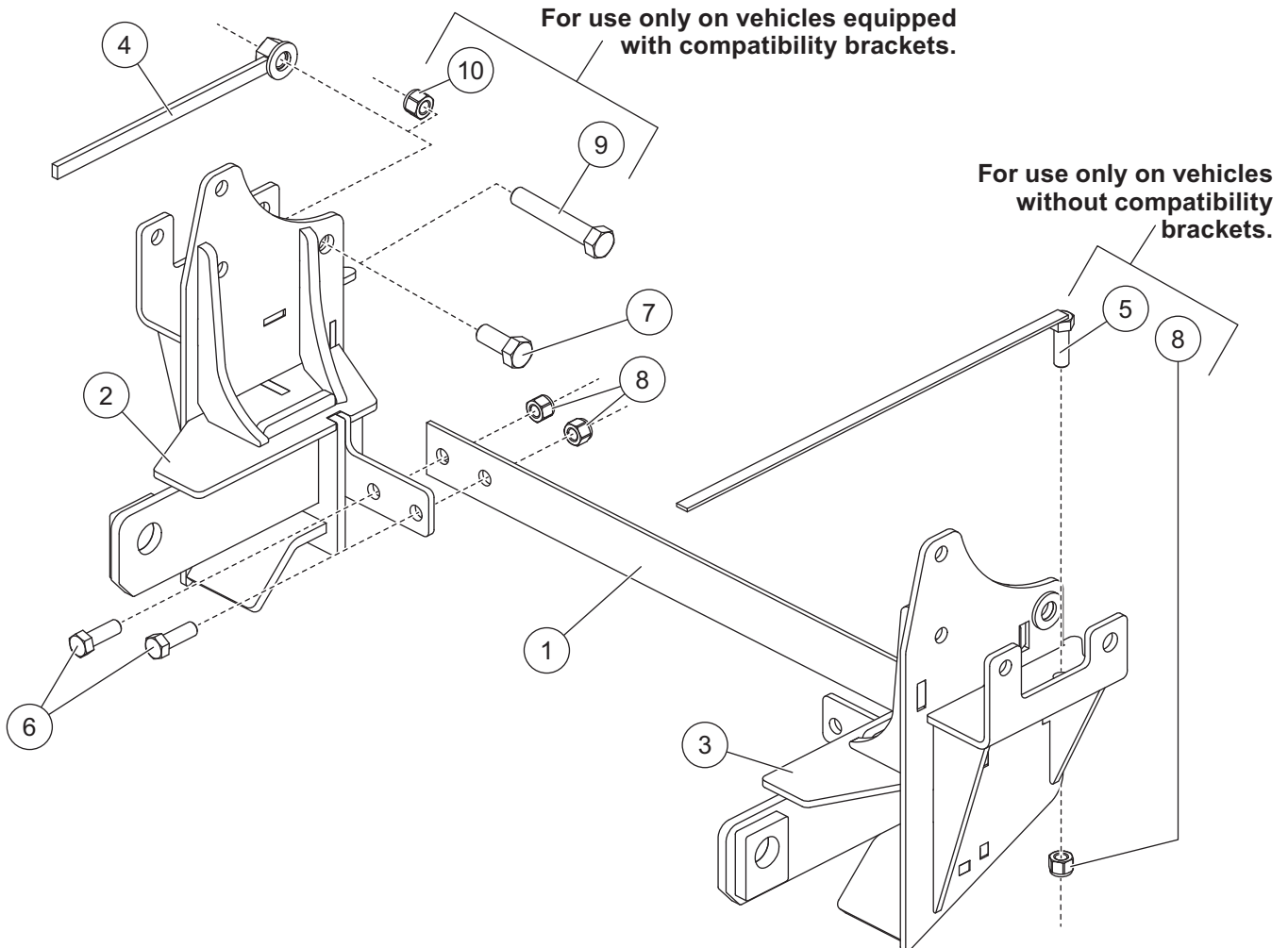
Minute² SYSTEM

MOUNT KIT

Dodge Ram 2500/3500

2010–18

Parts List



7191 Mount Kit							
Item	Part	Qty	Description	Item	Part	Qty	Description
1	67696	1	Cross Bar	5	22314	2	1/2-13 x 1-1/2 Hex Cap Screw G5 with Handle
2	41369	1	Mount PS	ns	41371	1	Bolt Bag
3	41368	1	Mount DS				
4	B31109	2	5/8 Nut with Handle				
41371 Bolt Bag							
6		4	1/2-13 x 1-1/2 Hex Cap Screw G5	9		2	5/8-11 x 4-1/2 Hex Cap Screw G8
7		2	5/8-11 x 1-3/4 Hex Cap Screw G8	10		2	5/8-11 Hex Locknut GB
8		6	1/2-13 Hex Locknut GB				
ns = not shown				G = Grade			

Copyright © 2019 Douglas Dynamics, LLC. All rights reserved. This material may not be reproduced or copied, in whole or in part, in any printed, mechanical, electronic, film, or other distribution and storage media, without the written consent of Fisher Engineering. Authorization to photocopy items for internal or personal use by Fisher Engineering outlets or snowplow owner is granted.

Fisher Engineering reserves the right under its product improvement policy to change construction or design details and furnish equipment when so altered without reference to illustrations or specifications used. Fisher Engineering or the vehicle manufacturer may require or recommend optional equipment for snow removal. Do not exceed vehicle ratings with a snowplow. Fisher Engineering offers a limited warranty for all snowplows and accessories. See separately printed page for this important information. The following are registered (®) trademarks of Douglas Dynamics, LLC: FISHER®, Minute Mount® 2.

Printed in U.S.A.