



8100, 8611

POWER PLOW™ Snowplow

Blade Assembly 77750, 77755

Big Box Assembly 77850-1

Parts List

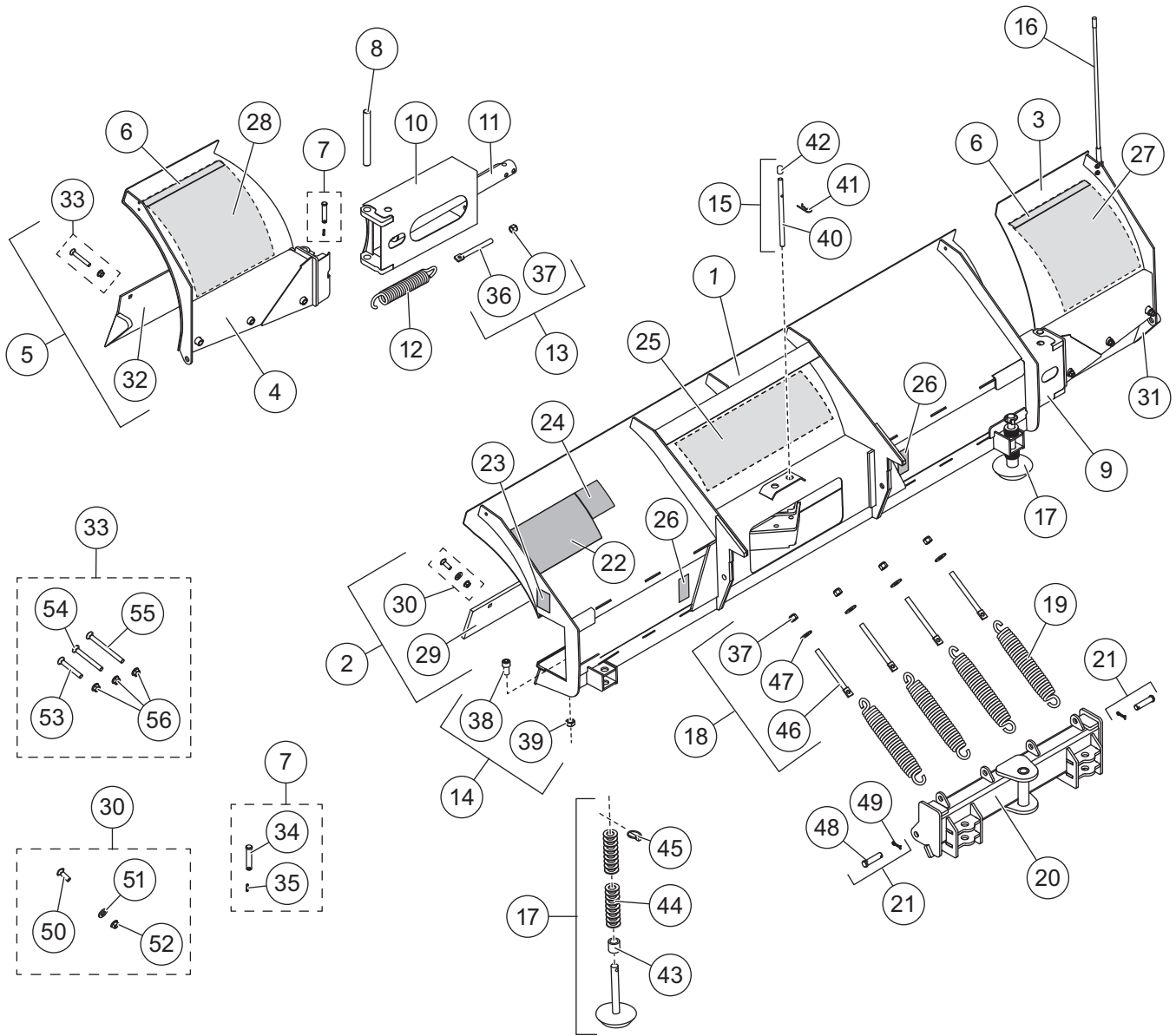


TABLE OF CONTENTS

8100/8611 POWER PLOW™ BLADE ASSEMBLIES	4
8100 Blade Components	4
8611 Blade Components	6
A-FRAME ASSEMBLY	8
HEADGEAR ASSEMBLY	10
HYDRAULIC AND ELECTRICAL COMPONENTS	12
Hydraulic Unit Components	12
Lift and Angle Rams Components	14
Hoses and Fittings	15
Electrical Components	16
VEHICLE-SIDE HARNESS DIAGRAM	17
HEADLAMPS	18

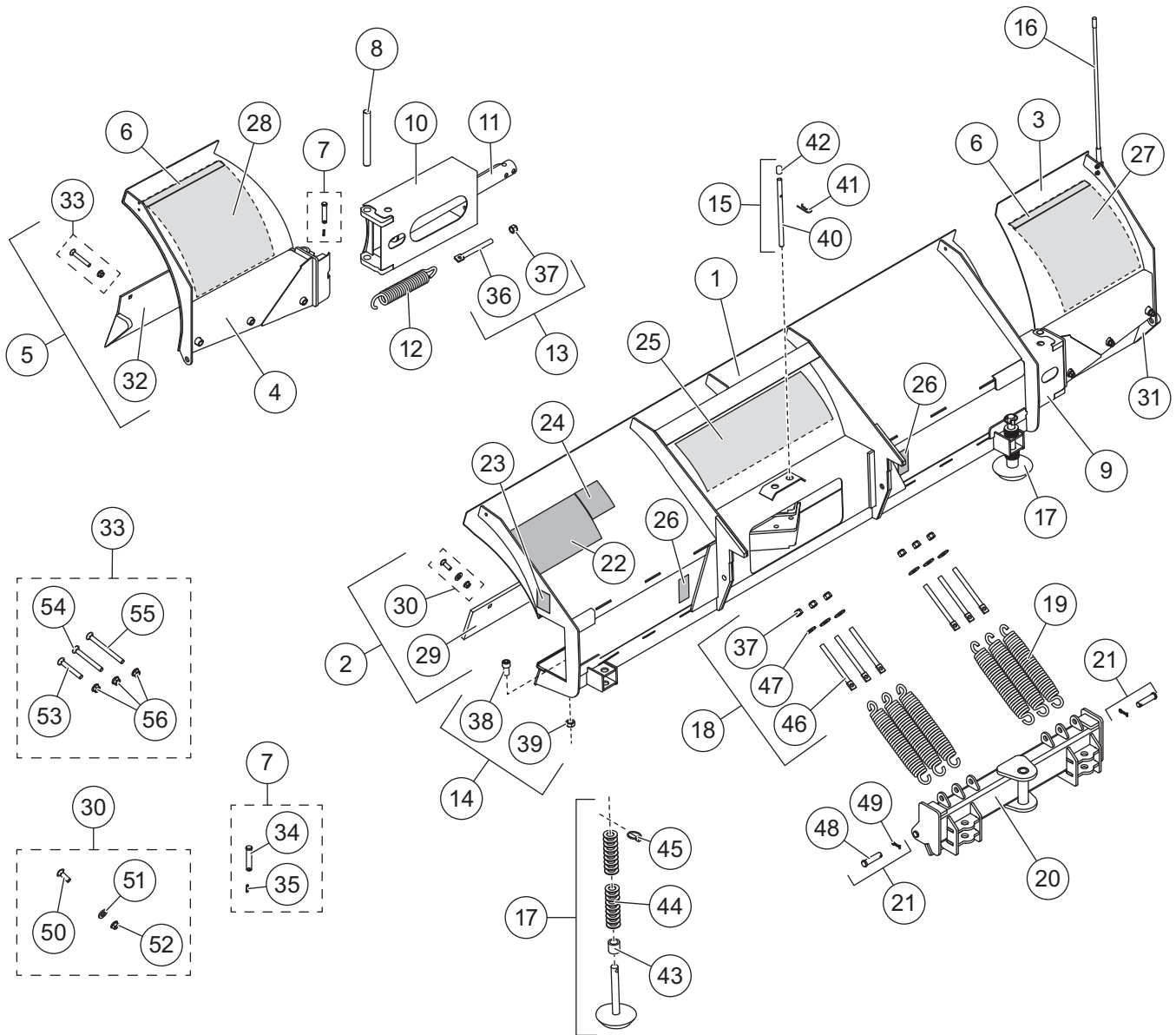
8100 POWER PLOW™ BLADE ASSEMBLY

8100 Blade Components



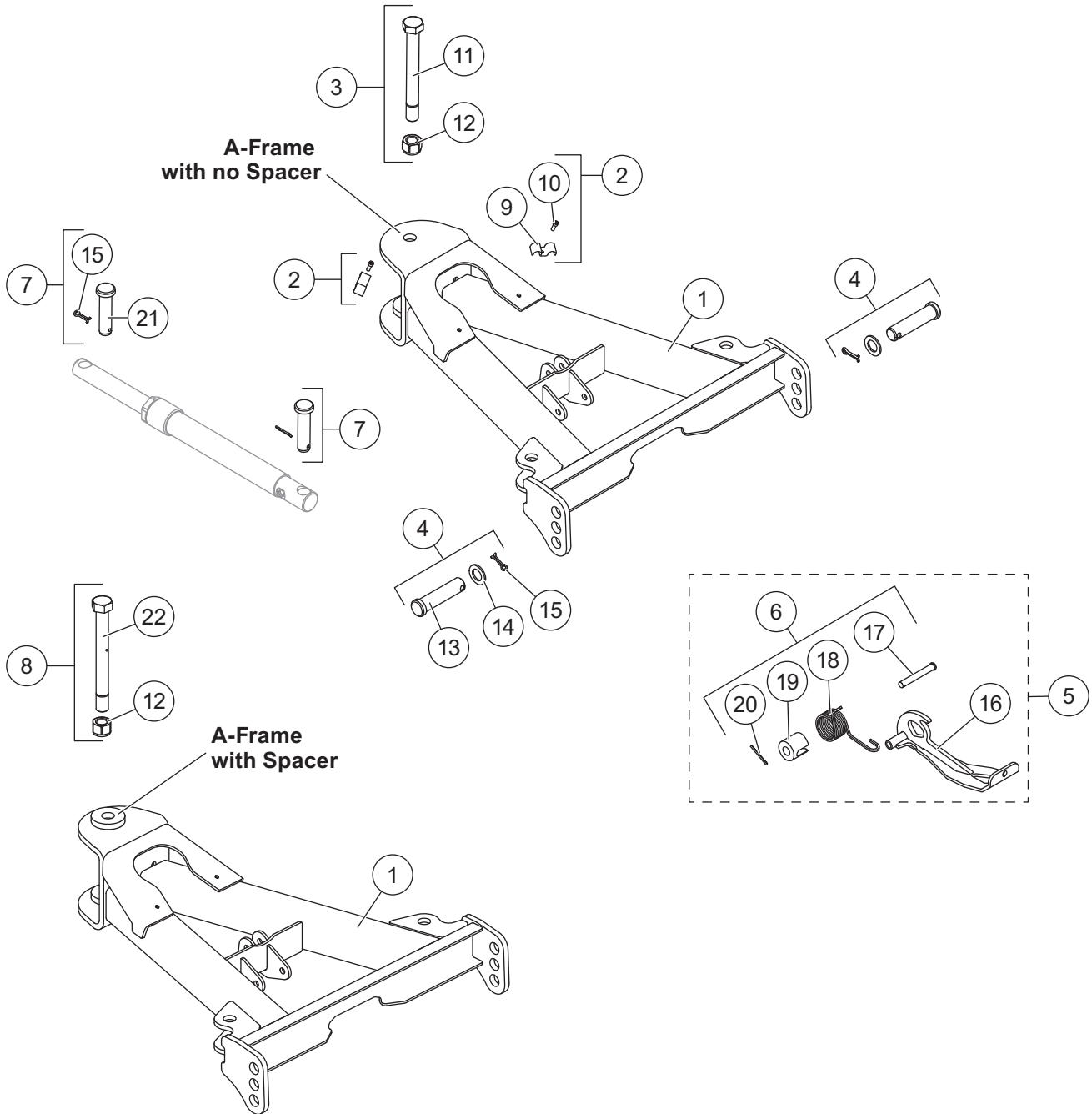
8611 POWER PLOW™ BLADE ASSEMBLY

8611 Blade Components



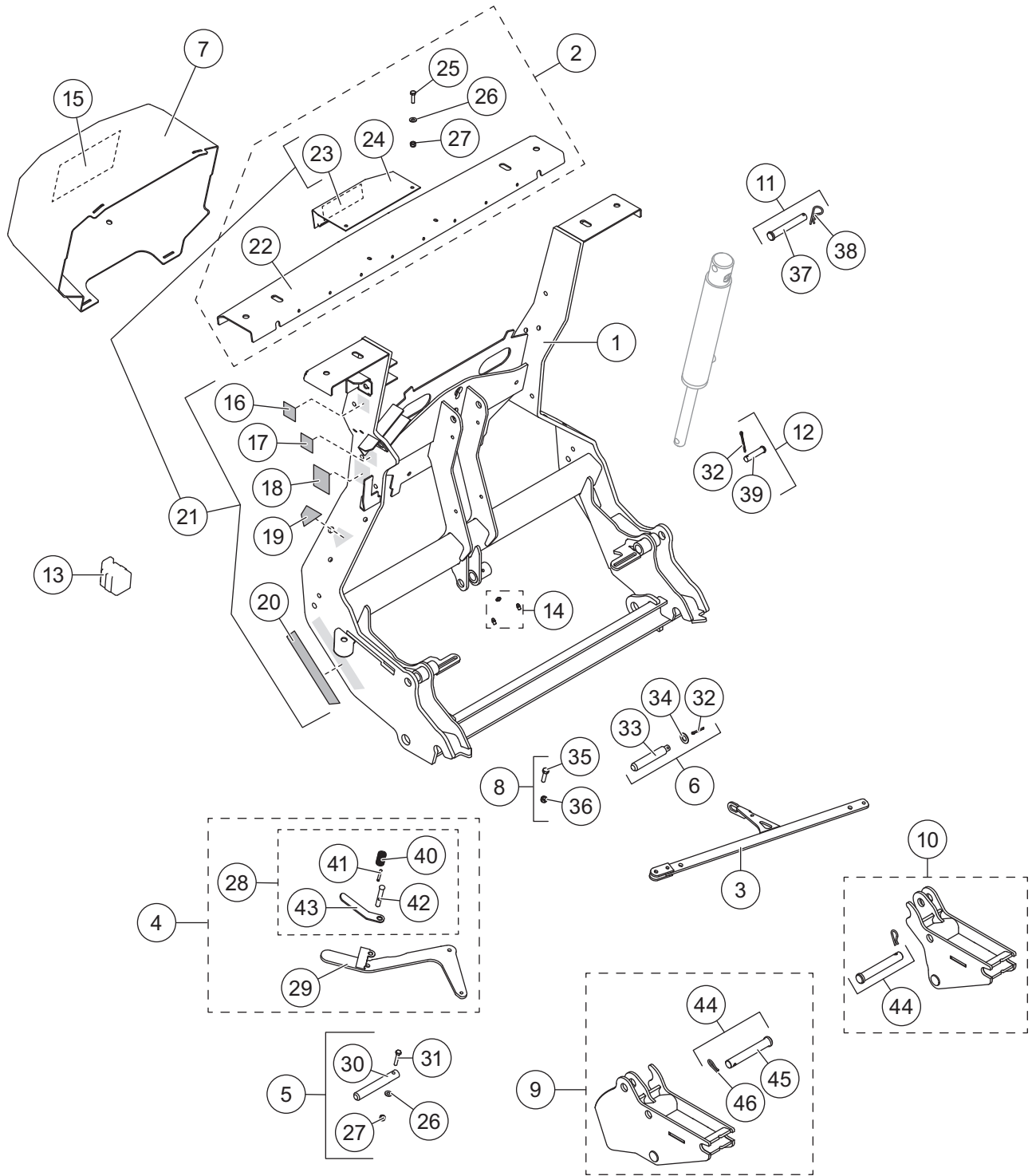
A-FRAME ASSEMBLY

A-Frame Components



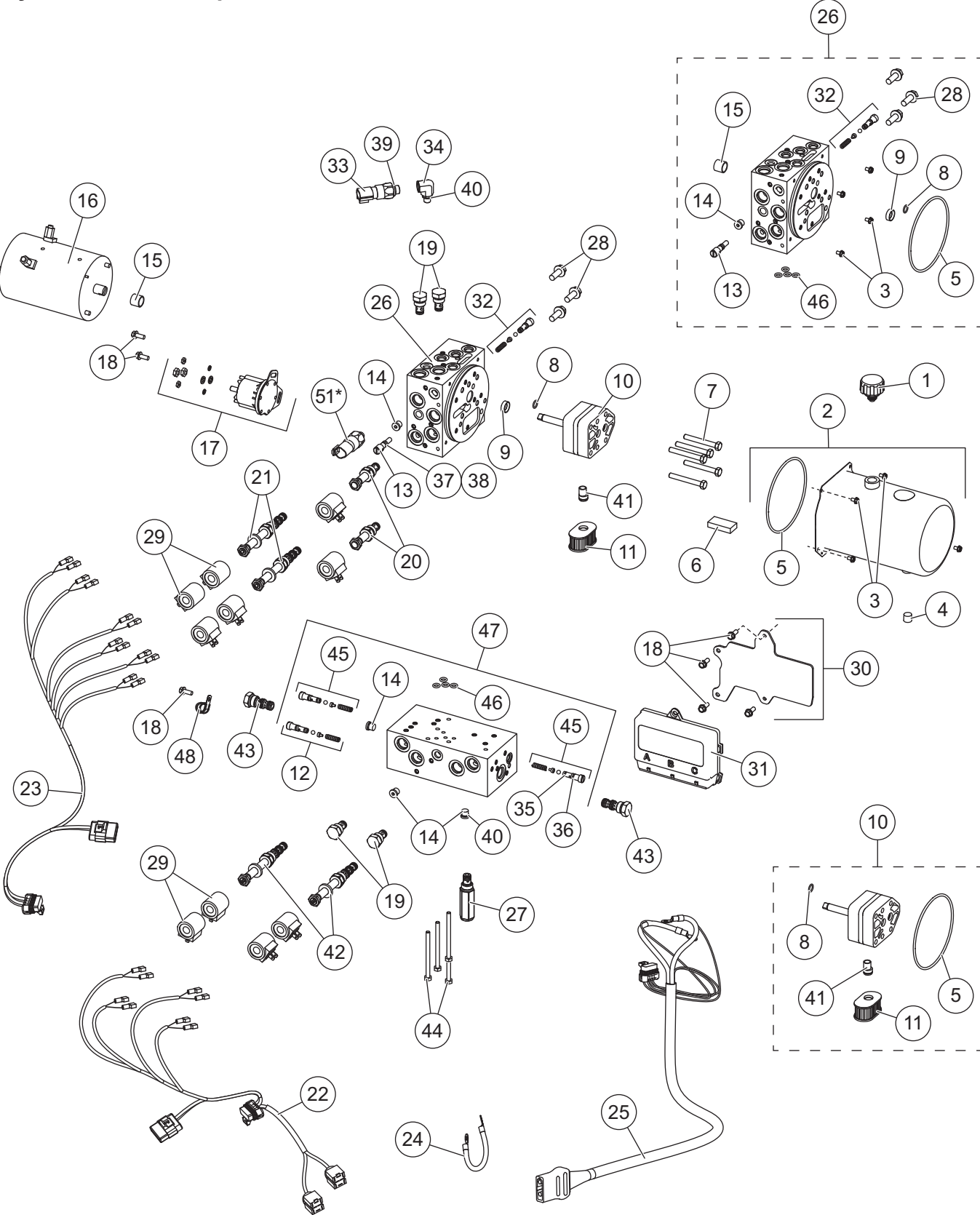
HEADGEAR ASSEMBLY

Headgear Components



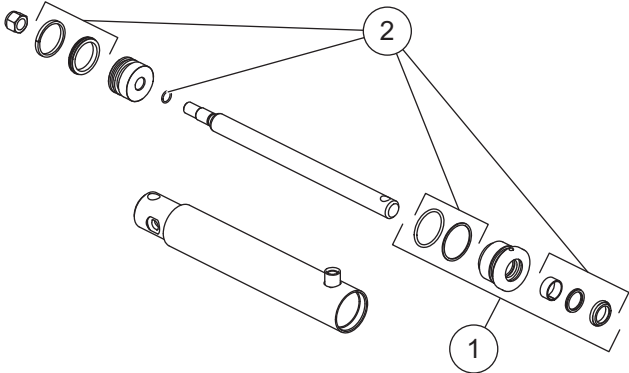
HYDRAULIC AND ELECTRICAL COMPONENTS

Hydraulic Unit Components

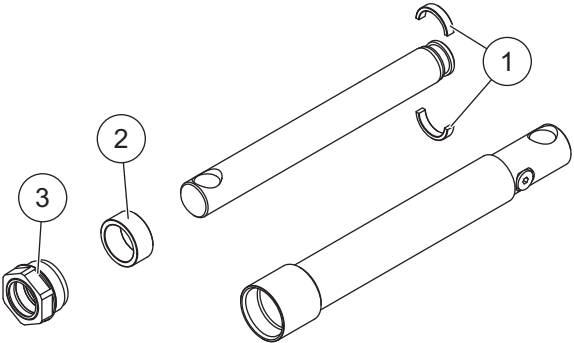


HYDRAULIC AND ELECTRICAL COMPONENTS

Lift and Angle Ram Components



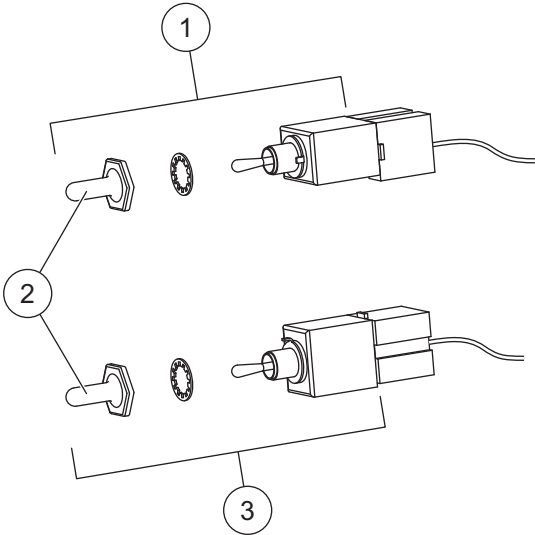
84420 Lift Ram Assembly 2 x 9-3/4 DA			
Item	Part	Qty	Description
1	49499	1	Gland Assembly 1"
2	48520	1	Seal Kit 2" DA Ram



84421 Angle Ram Assembly 1-1/2 x 12			
Item	Part	Qty	Description
1	57879	1	Split Bearing Kit
2	56537	1	Spacer
3	48985	1	Gland Nut Assembly

HYDRAULIC AND ELECTRICAL COMPONENTS

Electrical Components

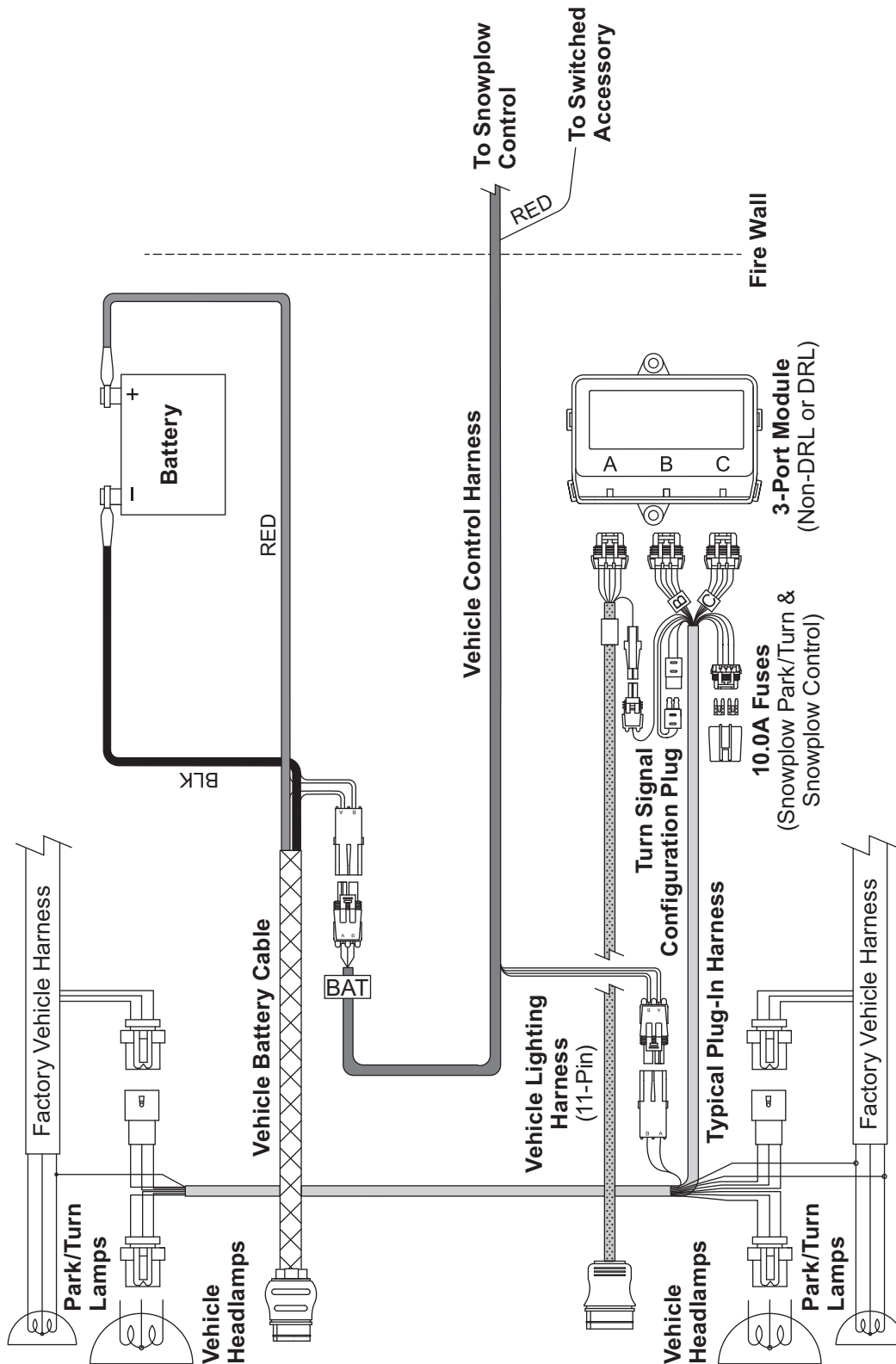


Plow-Side Electrical Components							
Item	Part	Qty	Description	Item	Part	Qty	Description
1	40575	1	Toggle Switch (MOM-ON, OFF, ON)	3	40576	1	Toggle Switch (MOM-ON, OFF, MOM-ON)
2	48259	2	Switch Boot				
Vehicle-Side Electrical Components							
*	42014	1	Vehicle Battery Cable	ns	48325	2	Plug Cover
*	28587	1	Vehicle Control Harness				
ns = not shown							

* For diagram see Vehicle-Side Harness Diagram.

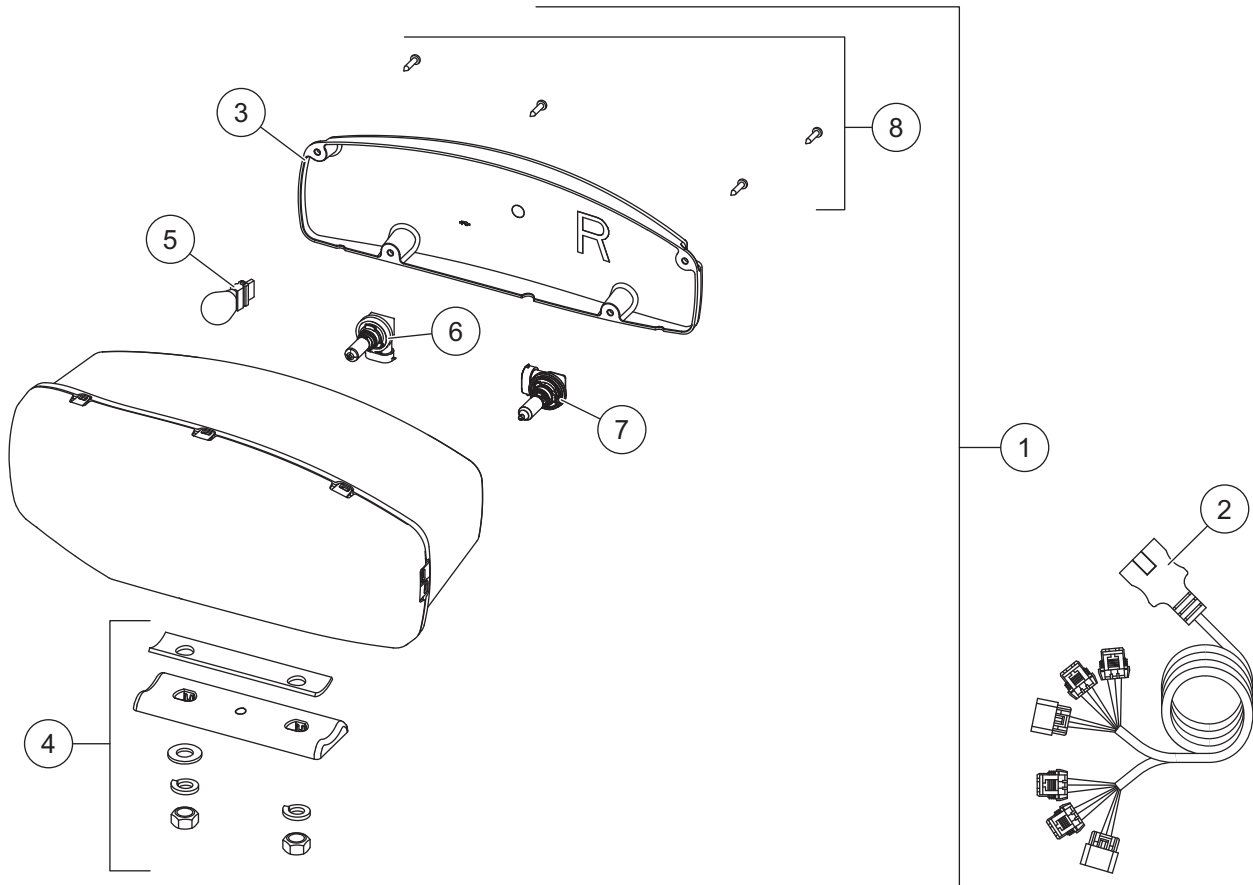
VEHICLE-SIDE HARNESS DIAGRAM

Vehicle-Side Harness Diagram



HEADLAMPS

Headlamp Components



38800 Headlamp Kit H9/H11 (Pair)							
Item	Part	Qty	Description	Item	Part	Qty	Description
1	38802	1	Headlamp Service Kit H9/H11 – PS	2	38807	1	Harness Service Kit H9/H11
ns	38801	1	Headlamp Service Kit H9/H11 – DS				
Item 1	38801/38802 Headlamp Service Kit H9/H11 – PS/DS						
3	38803	1	Rear Cover Kit H9/H11 – PS	6	38811	1	H11 Headlamp Bulb Service Kit
ns	38812	1	Rear Cover Kit H9/H11 – DS	7	38809	1	H9 Headlamp Bulb Service Kit
4	38804	1	Mounting Hardware Kit H9/H11	8	38808	1	Cover Screws Service Kit H9/H11 (pkg of 4)
5		1	Park/Turn Bulb (trade no. 4157NAK)				
ns = not shown							



TrynEx International, LLC
531 Ajax Drive
Madison Heights, MI 48071-2429
www.snowexproducts.com

 A DIVISION OF DOUGLAS DYNAMICS, LLC

Copyright © 2018 Douglas Dynamics, LLC. All rights reserved. This material may not be reproduced or copied, in whole or in part, in any printed, mechanical, electronic, film, or other distribution and storage media, without the written consent of TrynEx International, LLC. Authorization to photocopy items for internal or personal use by TrynEx International outlets or snowplow owner is granted.

TrynEx International reserves the right under its product improvement policy to change construction or design details and furnish equipment when so altered without reference to illustrations or specifications used. TrynEx International or the vehicle manufacturer may require or recommend optional equipment for snow removal. Do not exceed vehicle ratings with a snowplow. TrynEx International offers a limited warranty for all snowplows and accessories. See separately printed page for this important information. The following are registered (®) or unregistered (™) trademarks of Douglas Dynamics, LLC: Automatix®, POWER PLOW™, Scrape Maxx™, SECURITY GUARD™, SnowEx®.

Printed in U.S.A.