



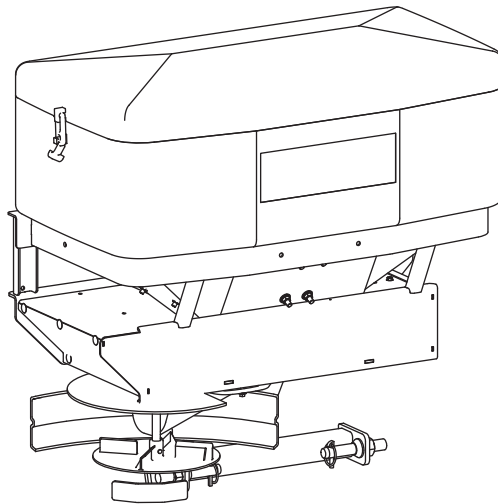
PRO-FLO™ 525

Hopper and Drive Components

PRO-FLO™ 525

Low-Profile Tailgate Spreader #91800

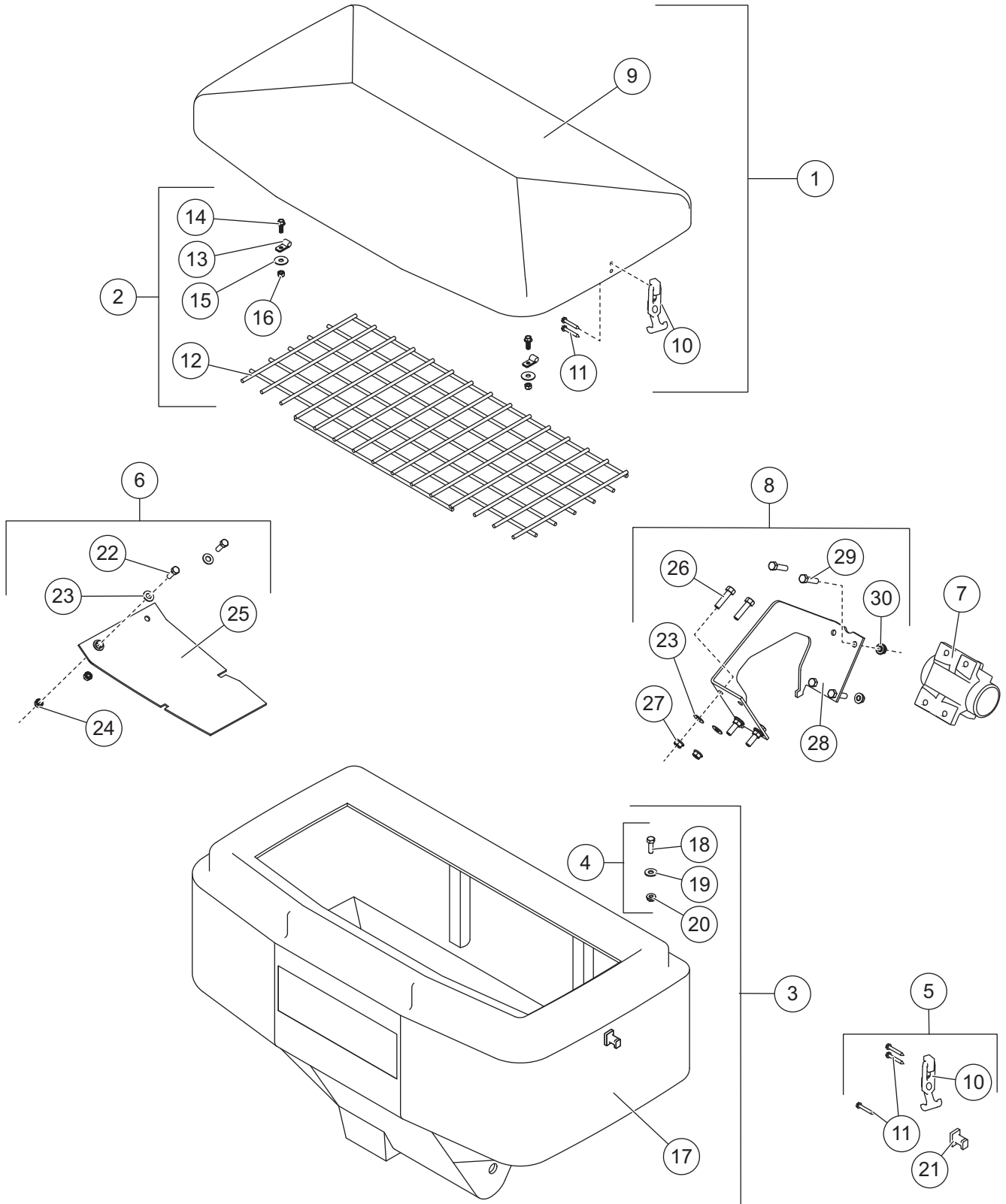
Parts List



This Parts List is for WESTERN® PRO-FLO 525 Low-Profile Tailgate Spreaders with serial numbers beginning with 150601 through 160729.

PRO-FLO™ 525 LOW-PROFILE TAILGATE SPREADER

HOPPER, VIBRATOR & BAFFLE



PRO-FLO™ 525 LOW-PROFILE TAILGATE SPREADER

Hopper, Vibrator & Baffle							
Item	Part	Qty	Description	Item	Part	Qty	Description
1	75630	1	Lid Kit	5	75612	1	Hopper Strap Kit
2	75655	1	Top Screen Kit 30 x 14	6	75657	1	Baffle Kit
3	75906	1	Hopper Kit PRO-FLO 525*	7	75673	1	Vibrator, DC-80
4	75659	1	Hopper Hardware Kit	8	75658	1	Vibrator Mount Kit
Item 1				75630 Lid Kit			
9		1	Lid Assembly	11		4	#10 x 3/4 Hex Washer-Head Tapping Screw SS
10		2	Flexible Draw Latch				
Item 2				75655 Top Screen Kit 30 x 14			
12		1	Top Screen 30 x 14	15		2	1/4 x 1 Washer
13		2	5/16 Clamp	16		2	1/4 Hex Locknut SS
14		2	1/4-20 x 3/4 Hex Cap Screw Serrated Flange SS				
Item 3				75906 Hopper Kit PRO-FLO 525*			
4	75659	1	Hopper Hardware Kit	17		1	Hopper 5.25 ft ³ – Red
Item 4				75659 Hopper Hardware Kit			
18		4	5/16-18 x 1 Hex Cap Screw	20		4	5/16-18 Serrated Flange Nut
19		4	5/16 Flat Washer				
Item 5				75612 Hopper Strap Kit			
10		2	Flexible Draw Latch	21		2	Latch Keeper
11		6	#10 x 3/4 Hex Washer-Head Tapping Screw SS				
Item 6				75657 Baffle Kit			
22		2	5/16-18 x 1-1/4 Hex Cap Screw SS	24		2	5/16-18 Hex Locknut SS
23		2	3/8 Flat Washer SS	25		1	Material Baffle
Item 8				75658 Vibrator Mount Kit			
23		4	3/8 Flat Washer SS	28		1	Vibrator Mount Bracket
26		4	3/8-16 x 1 Hex Cap Screw SS	29		4	3/8-16 x 1-1/2 Hex Cap Screw
27		4	3/8-16 Serrated Flange Nut	30		4	3/8-16 Hex Locknut
SS = Stainless Steel				G = Grade			

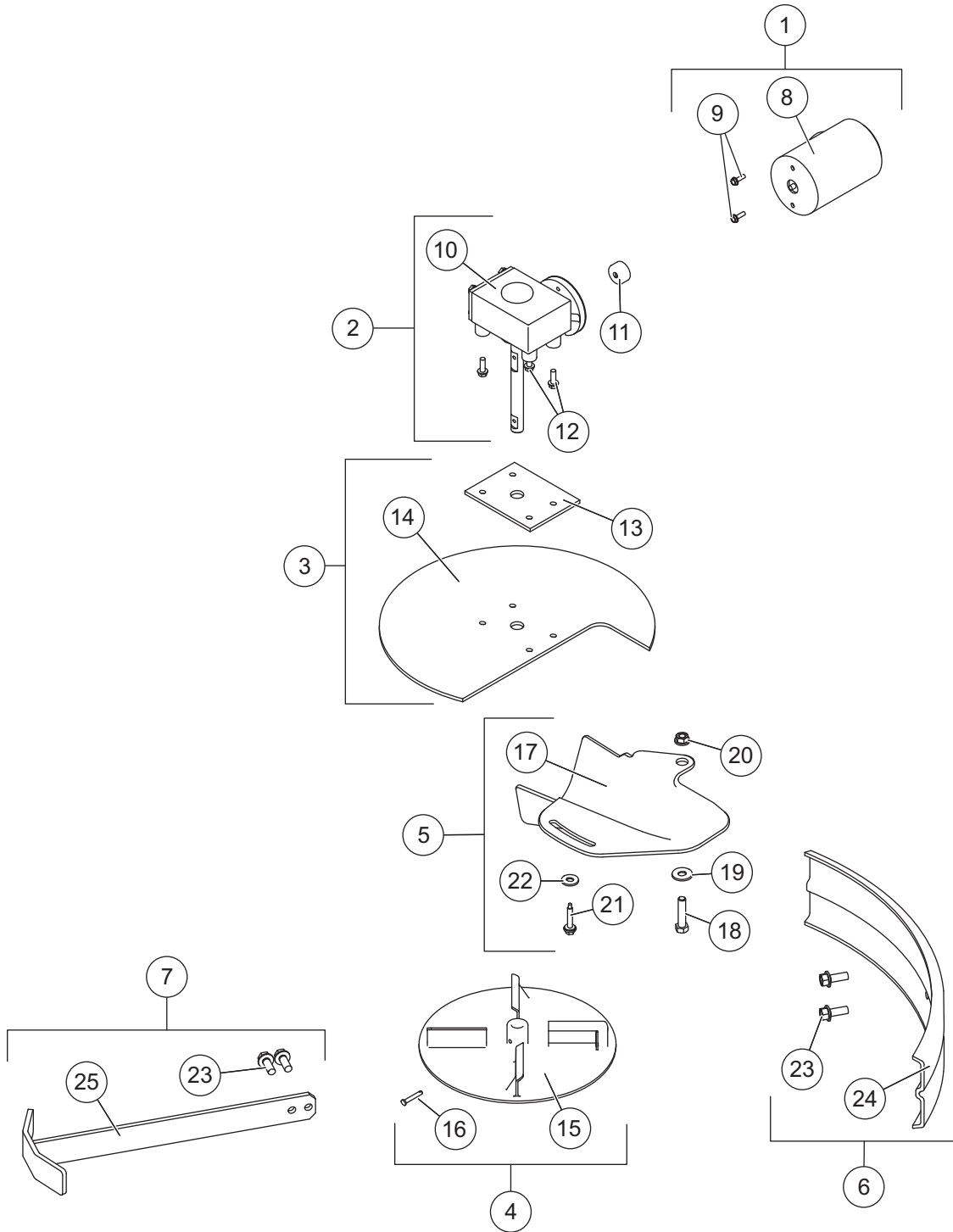
* Hopper ships with two latch keepers installed.

PRO-FLO™ 525 LOW-PROFILE TAILGATE SPREADER

Frame, Auger & Hitch							
Item	Part	Qty	Description	Item	Part	Qty	Description
1	75902	1	Frame Kit PRO-FLO 525	8	75654	1	Hitch Kit
2	75667	1	Side Cover Kit	9	75666	1	Lift Arm Pin Kit
3	75558	1	Spinner Drive Cover Kit	10	42526	1	Label – Identity, PRO-FLO 525
4	75661	1	Auger Kit	11	75621	1	Label – Warning, Hands and Feet
5	75660	1	Bearing Kit	12	75669	1	Label – Warning, Rotating Auger
6	75901	1	Motor Kit	13	75623	1	Label – Warning, Read Manual
7	75670	1	Auger Transmission Kit				
Item 1				75902 Frame Kit PRO-FLO 525			
10	42526	1	Label – Identity, PRO-FLO 525	13	75623	1	Label – Warning, Read Manual
11	75621	1	Label – Warning, Hands and Feet	14		1	Main Frame
12	75669	1	Label – Warning, Rotating Auger				
Item 2				75667 Side Cover Kit			
15		1	Drive Cover	16	79334	6	1/4 x 3/4 x 1/2 Push Retainer Nylon
Item 3				75558 Spinner Drive Cover Kit			
16	79334	6	1/4 x 3/4 x 1/2 Push Retainer Nylon	17		1	Spinner Drive Cover
Item 4				75661 Auger Kit			
18		1	2-5/8 x 14 x 1-3/8 Auger	20		1	5/16-18 x 3/8 Socket Head Set Screw
19		1	5/8 Flat Washer Nylon				
Item 5				75660 Bearing Kit			
21	68662	1	5/8 Bearing 4-Bolt Flange	22		4	3/8-16 Serrated Flange Nut
Item 6				75901 Motor Kit			
23		1	Motor 12V DC, 3 x 3.8	24		2	#10-32 x 5/8 Hex Cap Screw Serrated Flange w/Patch
Item 7				75670 Auger Transmission Kit			
25		4	1/4-20 x 3/4 Hex Cap Screw Serrated Flange SS	26		1	Transmission 30:1 Worm Gear
				27	79332	1	Motor Drive Coupler
Item 8				75654 Hitch Kit			
28		1	Hitch	31		4	1/2-13 Serrated Flange Nut
29		4	1/2-13 x 1-1/2 Hex Cap Screw	32	75620	1	Hitch Pin
30		4	1/2 Split Lock Washer				
Item 9				75666 Lift Arm Pin Kit			
33		2	7/8 x 5-1/2 Lift Arm Pin	34		2	5/16 x 1-9/16 Linch Pin
SS = Stainless Steel							

PRO-FLO™ 525 LOW-PROFILE TAILGATE SPREADER

SPINNER ASSEMBLY & MATERIAL CHUTE

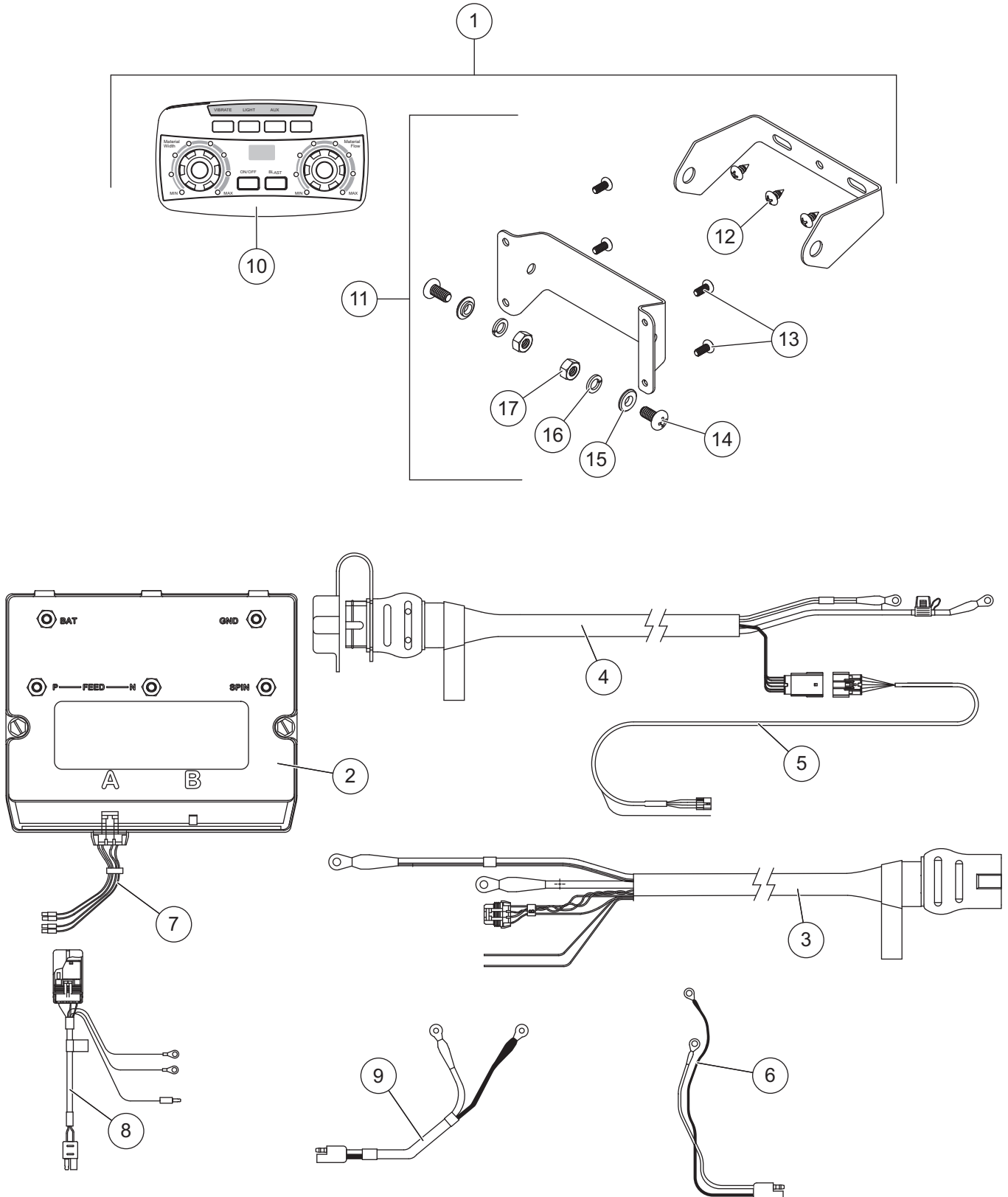


PRO-FLO™ 525 LOW-PROFILE TAILGATE SPREADER

Spinner Assembly & Material Chute							
Item	Part	Qty	Description	Item	Part	Qty	Description
1	75901	1	Motor Kit	5	75662	1	Material Chute Kit
2	75640	1	Spinner Transmission Kit	6	75665	1	Deflector Kit
3	75663	1	CE Guard Kit	7	75672	1	Protector Foot Kit
4	75618	1	Spinner Kit				
Item 1				75901 Motor Kit			
8		1	Motor 12V DC, 3 x 3.8	9		2	#10-32 x 5/8 Hex Cap Screw Serrated Flange w/Patch
Item 2				75640 Spinner Transmission Kit			
10		1	Transmission 8:1 Worm Gear	12		4	1/4-20 x 3/4 Hex Cap Screw Serrated Flange SS
11	79332	1	Motor Drive Coupler				
Item 3				75663 CE Guard Kit			
13		1	CE Guard Spacer	14		1	CE Guard
Item 4				75618 Spinner Kit			
15		1	Spinner, 10" Poly	16		1	3/16 x 1-1/4 Detent Clevis Pin
Item 5				75662 Material Chute Kit			
17		1	Material Chute	20		1	1/2-13 Serrated Flange Nut
18		1	1/2-13 x 1-1/2 Hex Cap Screw	21		1	1/4 x 1-1/2 Driller w/R-M Washer
19		1	1/2 Flat Washer, Hardened	22		1	5/16 Flat Washer
Item 6				75665 Deflector Kit			
23		2	3/8-16 x 1 Hex Cap Screw Serrated Flange Type F	24		1	Deflector
Item 7				75672 Protector Foot Kit			
23		2	3/8-16 x 1 Hex Cap Screw Serrated Flange Type F	25		1	Spinner Protector Foot
SS = Stainless Steel							

PRO-FLO™ 525 LOW-PROFILE TAILGATE SPREADER

ELECTRICAL COMPONENTS



PRO-FLO™ 525 LOW-PROFILE TAILGATE SPREADER

Electrical Components							
Item	Part	Qty	Description	Item	Part	Qty	Description
1	52450	1	Spreader Control Kit	6	78398	1	Spinner Motor Harness
2	52375	1	Spreader Module, 5-Post	7	69893	1	10-Pin Connector w/4 Wires
3	72092	1	Spreader Harness, 7-Pin*	8	78382	1	Vibrator Harness Assembly
4	72090	1	Vehicle Harness, 7-Pin*	9	78397	1	Auger Motor Harness
5	69902	1	Vehicle Control Harness				
Item 1				52450 Spreader Control Kit			
10	52452	1	Spreader Control	14		2	1/4-20 x 1/2 Pan Head Machine Screw SS – Black
11	52345	1	Control Bracket Kit				
12		3	#10 x 3/8 Pan Head Tapping Screw SS	15		2	1/4 Shoulder Washer SS – Black
13		4	#8 x 3/8 Pan Head Machine Screw	16		2	1/4 Lock Washer SS
				17		2	1/4-20 Hex Nut G5 – Black
SS = Stainless Steel				G = Grade			

* For spreaders with 8-pin harnesses, order the 52348 harness kit (contains both spreader and vehicle harnesses).

PRO-FLO™ 525 LOW-PROFILE TAILGATE SPREADER



Western Products
PO Box 245038
Milwaukee, WI 53224-9538
www.westernplows.com

 A DIVISION OF DOUGLAS DYNAMICS, LLC

Copyright © 2019 Douglas Dynamics, LLC. All rights reserved. This material may not be reproduced or copied, in whole or in part, in any printed, mechanical, electronic, film, or other distribution and storage media, without the written consent of Western Products. Authorization to photocopy items for internal or personal use by Western Products outlets or spreader owner is granted.

Western Products reserves the right under its product improvement policy to change construction or design details and furnish equipment when so altered without reference to illustrations or specifications used. Western Products or the vehicle manufacturer may require or recommend optional equipment for spreaders. Do not exceed vehicle ratings with a spreader. Western Products offers a limited warranty for all spreaders and accessories. See separately printed page for this important information. The following are registered (®) or unregistered (™) trademarks of Douglas Dynamics, LLC: PRO-FLO™ 525, WESTERN®.

Printed in U.S.A.