

BOSS PRODUCTS
A Division of Northern Star Industries, Inc.
P.O. Box 787 Iron Mountain MI 49801-0787
www.bossplow.com

**2000 – 2004 DODGE DAKOTA
SPORT DUTY UNDERCARRIAGE
MOUNTING INSTRUCTIONS
(PART NO. LTA04919)**

DRIVEN TO BE THE BEST

MSC04923-1

WARNING

Many newer trucks are now equipped with air bags. DO NOT under any circumstances disable, remove or relocate any sensors or other components related to the operation of the air bags.

For recommended vehicle models refer to the Boss Snowplow Application Chart and Selection Guide.

To comply with Federal Regulations and to assure a safe vehicle, the Front Gross Axle Weight Rating (FGAWR), Rear Gross Axle Weight Rating (RGAWR), and the Gross Vehicle Weight Rating (GAWR) must not be exceeded at any time.

Due to the variety of equipment that can be installed on this vehicle, it is necessary to verify that the Front Gross Axle Weight Rating (FGAWR), Rear Gross Axle Weight Rating (RGAWR), and the Gross Vehicle Weight Rating (GAWR) are not exceeded at any time. This may require weighing the vehicle and adding ballast as necessary. It may also limit payload capacity of the vehicle. It is the operator's responsibility to verify that these ratings are not exceeded.

2000 - 2004 DODGE DAKOTA SPORT DUTY UNDERCARRIAGE MOUNTING INSTRUCTIONS

The mounting procedure outlined below covers the 2000 - 2004 Dodge Dakota trucks. You will need to refer to the illustrations and familiarize yourself with each of the undercarriage components and their relative position to each other. Then proceed as follows:

1. Disconnect fog lamps from bumper if equipped on vehicle.
2. Cut rubber portion of air deflector attached to bumper and discard. Open vehicle hood and remove four vertical bumper bolts from existing Bumper Brackets (BB). Remove bolts from two outer bumper brackets if equipped on vehicle. Remove bumper.
3. Clamp existing Bumper Bracket (BB) to frame rail. Remove two existing Nuts (AA) from Bumper Bracket (BB). Use chisel and hammer between head of existing Bolts (CC) and Bumper Bracket (BB) to force them loose. Use caution to prevent damage to parts. Unclamp and remove Bumper Bracket (BB). Repeat process on opposite side of vehicle.
4. Assemble driver side Push Beam Support Plate (62B), existing Bolts (CC), Nuts (AA), and Bumper Bracket (BB) onto frame rail. Make sure Bumper Bracket is between inside of frame rail and Push Beam Support Plate (62B). Move Push Beam Support Plate (62B) up until horizontal gusset touches bottom of frame rail. Align two horizontal holes on Push Beam Support Plate (62B) vertical tab with outside horizontal frame rail holes. DO NOT INSERT OUTSIDE BOLTS YET! Tighten existing Nuts (AA) to hold Push Beam Support Plate (62B) in place. Repeat process on passenger side.
5. Insert Bolt Bars (101) through square slot on slanted front of vehicle crossmember. Manipulate Bolt Bars through horizontal slotted holes on crossmember and outside holes on Angle Bracket Assembly (75). Finger tighten ½" Split Lock Washers (F) and ½"-13 Gr 5 Nuts (G) on each side. Insert two ½"-13 X 1-1/2" Hex Head Bolts (A) through inside holes of Angle Bracket Assembly. Finger tighten ½" Split Lock Washers (F) and ½"-13 Gr 5 Nuts (G) on each side.

6. Assemble Push Beam Assembly (62) between Push Beam Support Plates (62A & 62B) using four ½"-13 X 1-1/2" Hex Head Bolts (A) and ½" -13 Hex Head Nylon Lock Nuts (B) on each side.
NOTE: The proper height adjustment for Push Beam Assembly (62) is 14-1/2" from the ground to the center of the pin receiving hole (see Figure 2). Leave hardware finger tight. Assemble Angle Bracket Assembly (75) onto tabs on back side of Push Beam Assembly (62) using two ½"-13 X 1-1/2" Hex Head Bolt, GR8, Yellow Zn (C) and ½"-13 Hex Head Top Lock Nut, GRC, Yellow Zn (D) on each side.
7. With all components in place, begin tightening hardware. Angle Bracket Assembly (75) should be tightened first. Make sure Angle Bracket Assembly (75) is attached to correct holes in Push Beam Assembly (62) tabs. Angle Bracket Assembly (75) arms should be level with ground.
8. Center bumper on vehicle with brackets aligned. Mark position of Push Beam Support Plates (62A & 62B) on plastic air dam. Remove bumper and notch air dam to allow bumper to fit over Push Beam Support Plates (62A & 62B). Reinstall bumper on vehicle. Air dam has to be forced on top of Push Beam Assembly (62) hooks or notched to allow clearance. Make sure outside bumper brackets (if equipped) slide between outside of frame rail and outside vertical tab on Push Beam Support Plates (62A & 62B).
9. Insert two ½"-13 X 1-1/2" Hex Head Bolts (A) through horizontal mounting holes on driver side Push Beam Support Plate (62B) vertical tab, outside bumper bracket, and outside wall of frame rail. If outside bumper brackets are not equipped, use provided ½" Flat Washers (E) to fill gap between outside of frame rail and Push Beam Support Plate (62B) vertical tab. Assemble ½"-13 Hex Head Lock Nuts (B) onto ½"-13 X 1-1/2" Hex Head Bolts (A). Repeat process on passenger side. Tighten remaining hardware. It is important that all hardware be properly torqued (see Figure 3) to assure a safe operating plow. Re-tighten all fasteners after 2 hours of plowing.
10. Reconnect fog lamps if equipped.

Installation Notes:

- A. No headlight adapter is required for Dakota vehicles with a two headlamp system. Vehicles with a four headlamp system should use headlight adapter MSC04597.
- B. Check for hood swing clearance with the plow attached to the truck. The grill is attached to the hood on the Dakota which may cause interference between the grill and the plow lights/light bar. If interference exists move the light bar to the forward mounting position. See Boss Snowplow owner's manual for further details.

2000 - 2004 DODGE DAKOTA SPORT DUTY UNDERCARRIAGE INSTALLATION PROCEDURE

REF. NO.	DESCRIPTION	PART NO.	QTY.
62	Push Beam Assembly	PBA04920	1
62A	Push Beam Support Plate, Passenger Side	PBA04905	1
62B	Push Beam Support Plate, Driver Side	PBA04904	1
75	Angle Bracket Assembly	LTA04903	1
101	Bolt Bar	LTA04914	2
	FASTENER KIT, DAKOTA, 00-04	HDW04915	1

Includes:

A	1/2" - 13 x 1- 1/2" Hex Head Bolt, Yellow Zn	HDW01728	14
B	1/2" - 13 Hex Head Nylon Lock Nut, Yellow Zn	HDW01748	12
C	1/2" - 13 x 1- 1/2" Hex Head Bolt, GR8, Yellow Zn	HDW05553	4
D	1/2" - 13 Hex Head Top Lock Nut, GRC, Yellow Zn	HDW05554	4
E	1/2" Flat Washer	HDW05501	8
F	1/2" Split Lock Washer, Yellow Zn	HDW01732	4
G	1/2" - 13 Gr 5 Nut, Yellow Zn	HDW02410	4

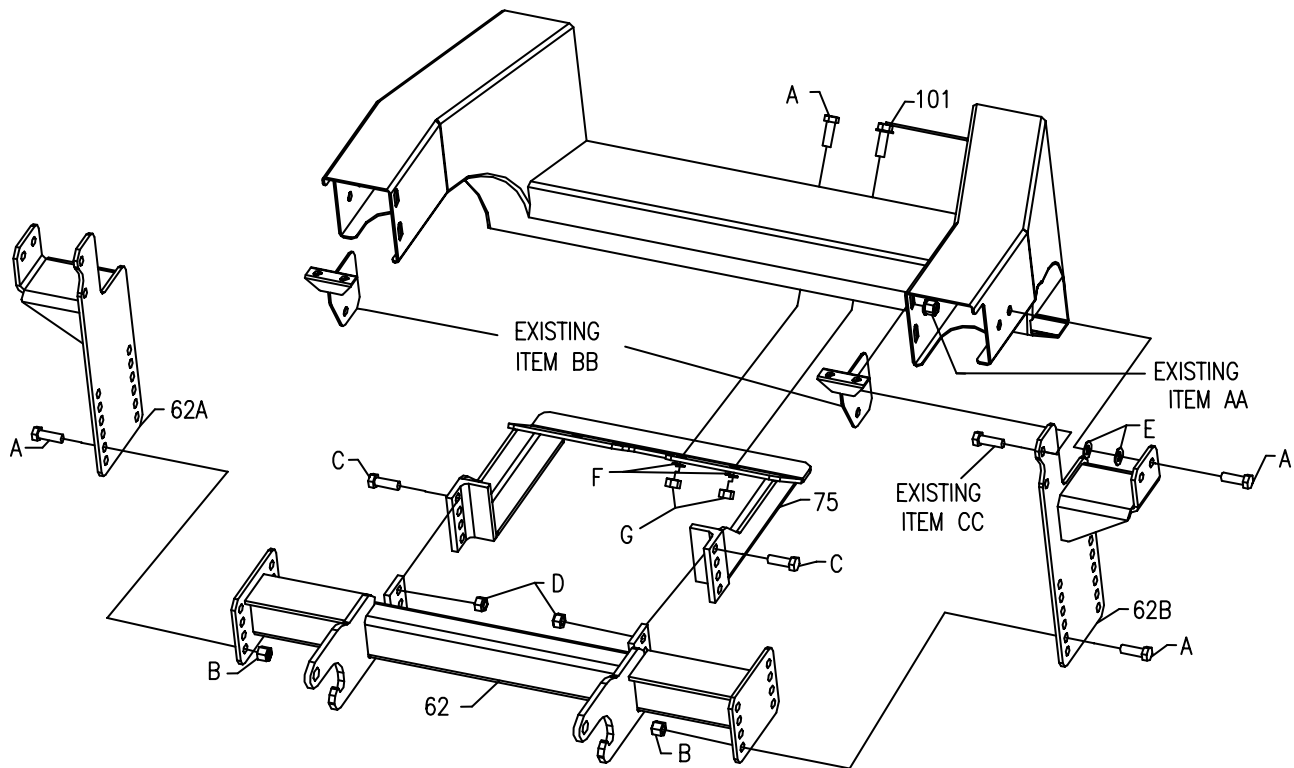


Figure 1

G10339

RECOMMENDED PUSHBEAM HEIGHT

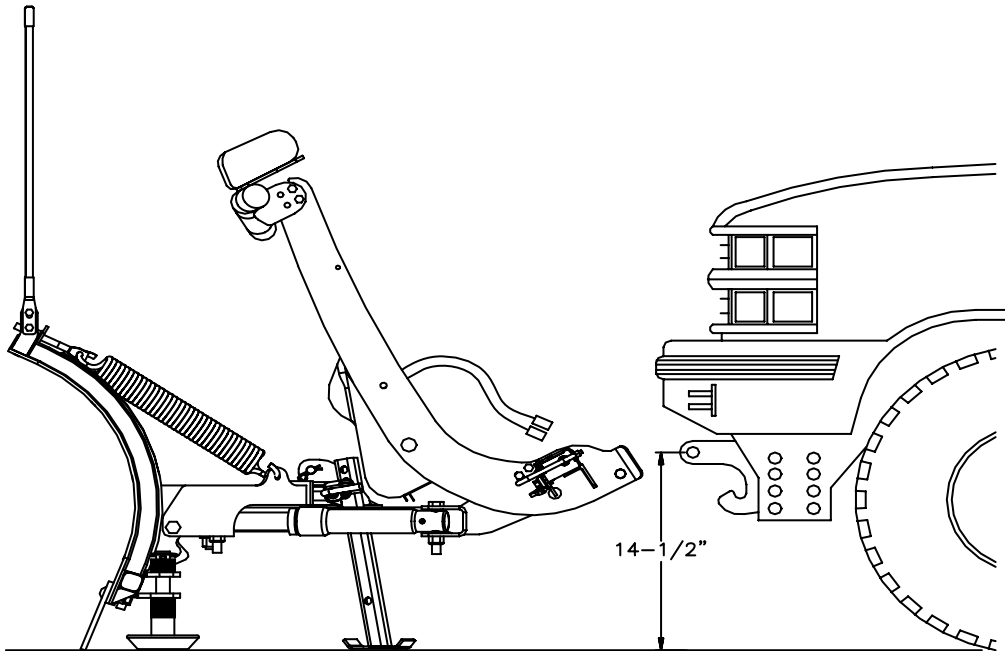


Figure 2

G10299

GUIDE TO RECOMMENDED ASSEMBLY TORQUE



DIAMETER / PITCH	GRADE 5	GRADE 8	GRADE 8.8	GRADE 10.9
1/4-20	6	9		
5/16-18	14	19		
3/8-16	23	33		
7/16-14	38	53		
1/2-13	56	80		
9/16-12	82	116		
5/8-11	113	159		
3/4-10	201	283		
M10 X 1.25			36	
M10 X 1.5				49
M12 X 1.75				71
M14 X 2.0				80

ALL TORQUE VALUES ARE IN FOOT-POUNDS (FT.-LB.)

Figure 3

G10410

* The torque values listed above are based on dry, coated bolts, variables such as oil, or other lubrications may appreciably alter these values and must be taken into consideration.

NOTE: IT IS IMPORTANT THAT ALL FASTENERS BE PROPERLY TORQUED TO ASSURE A SAFE OPERATING PLOW.