

# 35135

## MOUNT KIT

<b>Bobcat 3400</b>	<b>2015–__</b>
<b>Gravely Atlas JSV</b>	<b>2014–__</b>
<b>Polaris Ranger XP 900</b>	<b>2012–__</b>
<b>Polaris Ranger XP 1000</b>	<b>2016–17</b>
<b>Polaris Ranger 570 Full-Sized</b>	<b>2014–__</b>

### Installation Instructions

**▲ CAUTION**

Read this document before installing the snowplow.

**▲ CAUTION**

See your sales outlet/website for specific vehicle application recommendations before installation. The online selection system has specific vehicle and snowplow requirements.

**SAFETY DEFINITIONS**

**⚠ WARNING**

Indicates a potentially hazardous situation that, if not avoided, could result in death or serious personal injury.

**⚠ CAUTION**

Indicates a potentially hazardous situation that, if not avoided, may result in minor or moderate injury. It may also be used to alert against unsafe practices.

**NOTE:** Indicates a situation or action that can lead to damage to your snowplow and vehicle or other property. Other useful information can also be described.

**WARNING/CAUTION & INSTRUCTION LABELS**

Become familiar with and inform users about the warning/caution and instruction labels on the back of the blade.

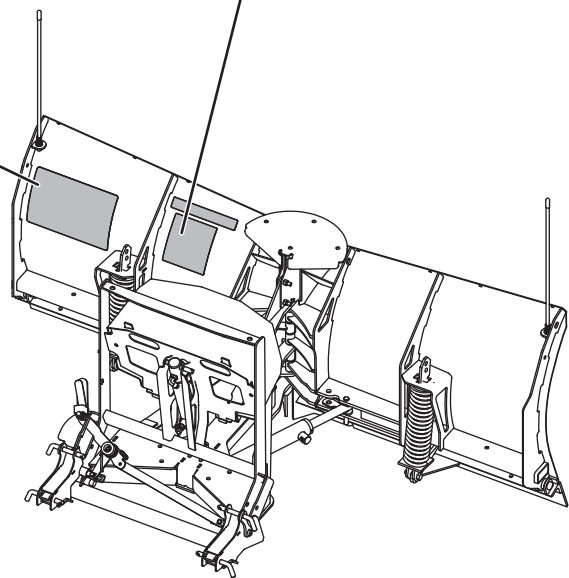
**NOTE:** If labels are missing or cannot be read, see your sales outlet.

**Attach/Detach Label**

<p><b>ATTACH</b></p> <ol style="list-style-type: none"> <li>Slowly drive vehicle forward to engage rear receiver pins into headgear slots. Apply vehicle parking brake.</li> <li>Hold down <b>lock lever</b> and move <b>hitch pin handle</b> out of the <b>handle lock notch</b>, allowing spring to move the <b>hitch pin handle</b> forward.</li> <li>Plug in electrical harness.</li> <li>Turn plow control in vehicle ON and activate FLOAT.</li> <li>Stand in front of <b>blade</b>. Push top of <b>headgear</b> toward vehicle to allow <b>hitch pins</b> to fully engage <b>hitch pin holes</b>.</li> <li>Verify the <b>lock pin</b> is engaged in the forward hole in the <b>lock pin bracket</b>.</li> <li>Remove <b>hairpin</b>, <b>adjustment pin</b>, &amp; <b>stand</b>.</li> </ol>	<p style="text-align: center;"><b>⚠ WARNING</b></p> <p>Keep fingers away from snowplow and UTV attachment points.</p>
<p><b>DETACH</b></p> <ol style="list-style-type: none"> <li>With blade straight, lower snowplow to the ground. Activate FLOAT, then turn plow control in vehicle OFF. Apply vehicle parking brake.</li> <li>Unplug electrical harness.</li> <li>Insert <b>stand</b> through slot in the passenger side headgear horn. Adjust stand as far down as possible. Install <b>adjustment pin</b>, and secure with a <b>hairpin</b>.</li> <li>Hold down <b>lock lever</b> to disengage the <b>lock pin</b> and move the <b>hitch pin handle</b> rearward to fully disengage <b>hitch pins</b> from <b>receivers</b>.</li> <li>Move <b>hitch pin handle</b> into <b>handle lock notch</b>.</li> </ol>	<p style="text-align: center;"><b>⚠ CAUTION</b></p> <p>Read Owner's Manual for complete instructions.</p> <p style="font-size: small;">US patents 7,400,058; 7,737,576; 9,200,418. 883322</p>

**Warning/Caution Label**

<b>⚠ WARNING</b>	<p>Lower blade when vehicle is parked.</p> <p>Do not exceed GVWR or GAWR including blade and ballast.</p>
<b>⚠ CAUTION</b>	<p>Read Owner's Manual before operating or servicing snowplow.</p> <p>Transport speed should not exceed 20 mph (32 km/h). Further reduce speed under adverse travel conditions.</p> <p>Plowing speed should not exceed 10 mph (16 km/h).</p> <p>See your sales outlet/website for specific vehicle application recommendations.</p> <p style="font-size: x-small;">84847.00</p>



## SAFETY PRECAUTIONS

Follow all safety and operating instructions in your UTV owner's manual.

Improper installation and operation could cause personal injury, and/or equipment and property damage. Read and understand labels and the Owner's Manual before installing, operating, or making adjustments.

### **⚠ WARNING**

Lower the blade when vehicle is parked. Temperature changes could change hydraulic pressure, causing the blade to drop unexpectedly or damaging hydraulic components. Failure to do this could result in serious personal injury.

### **⚠ WARNING**

The driver shall keep bystanders clear of the blade when it is being raised, lowered, or angled. Do not stand between the vehicle and the blade or within 8 feet of a moving blade. A moving or falling blade could cause personal injury.

### **⚠ WARNING**

Keep hands and feet clear of the blade and A-frame when mounting or removing the snowplow. Moving or falling assemblies could cause personal injury.

### **⚠ WARNING**

Do not exceed GVWR, GAWR, or maximum vehicle load capacity, including the blade and ballast.

### **⚠ WARNING**

To prevent accidental movement of the blade, always turn the control OFF whenever the snowplow is not in use. The power indicator light will turn OFF.

### **⚠ WARNING**

Remove blade assembly before placing vehicle on hoist.

### **⚠ WARNING**

Vehicle mount reduces ground clearance. Use additional caution when driving vehicle with mount installed. Remove vehicle mount to restore original vehicle ground clearance at the end of the plowing season.

### **⚠ CAUTION**

Refer to the online selection system for minimum vehicle recommendations and ballast requirements.

## PERSONAL SAFETY

- Remove the ignition key and put the vehicle in PARK or in gear to prevent others from starting the vehicle during installation or service.
- Wear only snug-fitting clothing while working on your vehicle or snowplow.
- Do not wear jewelry or a necktie, and secure long hair.
- Wear safety goggles to protect your eyes from battery acid, gasoline, dirt, and dust.
- Avoid touching hot surfaces such as the engine, radiator, hoses, and exhaust pipes.
- Always have a fire extinguisher rated BC handy, for flammable liquids and electrical fires.

## FIRE AND EXPLOSION

### **⚠ WARNING**

Gasoline is highly flammable and gasoline vapor is explosive. Never smoke while working on vehicle. Keep all open flames away from gasoline tank and lines. Wipe up any spilled gasoline immediately.

Be careful when using gasoline. Do not use gasoline to clean parts. Store only in approved containers away from sources of heat or flame.

**CELL PHONES**

A driver's first responsibility is the safe operation of the vehicle. The most important thing you can do to prevent a crash is to avoid distractions and pay attention to the road. Wait until it is safe to operate Mobile Communication Equipment such as cell phones, text messaging devices, pagers, or two-way radios.

**VENTILATION**

<b>⚠ WARNING</b>	
<p><b>Vehicle exhaust contains lethal fumes. Breathing these fumes, even in low concentrations, can cause death. Never operate a vehicle in an enclosed area without venting exhaust to the outside.</b></p>	

**NOISE**






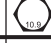


Airborne noise emission during use is below 95 dB(A) for the snowplow operator.

**VIBRATION**

Operating snowplow vibration does not exceed 2.5 m/s<sup>2</sup> to the hand-arm or 0.5 m/s<sup>2</sup> to the whole body.

**TORQUE CHART**

<b>⚠ CAUTION</b>	
<p><b>Read instructions before assembling. Fasteners should be finger tight until instructed to tighten according to the torque chart. Use standard methods and practices when attaching snowplow, including proper personal protective safety equipment.</b></p>	

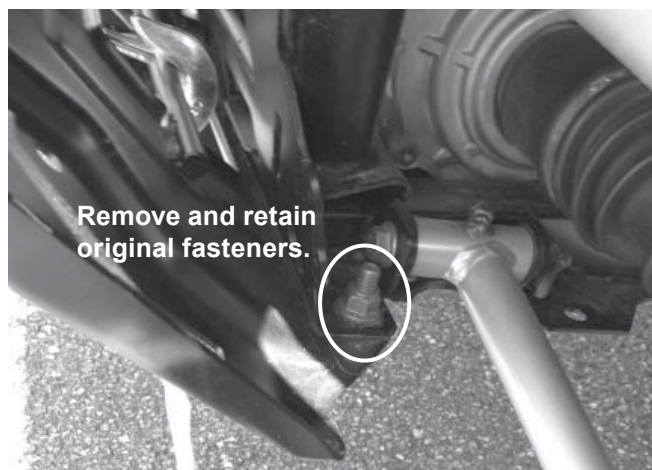
<b>Recommended Fastener Torque Chart</b>					
<b>Inch Fasteners Grade 5 and Grade 8</b>					
Size	Torque (ft-lb)		Size	Torque (ft-lb)	
	 Grade 5	 Grade 8		 Grade 5	 Grade 8
1/4-20	8.4	11.9	9/16-12	109	154
1/4-28	9.7	13.7	9/16-18	121	171
5/16-18	17.4	24.6	5/8-11	150	212
5/16-24	19.2	27.3	5/8-18	170	240
3/8-16	30.8	43.6	3/4-10	269	376
3/8-24	35.0	49.4	3/4-16	297	420
7/16-14	49.4	69.8	7/8-9	429	606
7/16-20	55.2	77.9	7/8-14	474	669
1/2-13	75.3	106.4	1-8	644	909
1/2-20	85.0	120.0	1-12	704	995
<b>Metric Fasteners Class 8.8 and 10.9</b>					
Size	Torque (ft-lb)		Size	Torque (ft-lb)	
	 Class 8.8	 Class 10.9		 Class 8.8	 Class 10.9
M6 x 1.00	7.7	11.1	M20 x 2.50	325	450
M8 x 1.25	19.5	26.9	M22 x 2.50	428	613
M10 x 1.50	38.5	53.3	M24 x 3.00	562	778
M12 x 1.75	67	93	M27 x 3.00	796	1139
M14 x 2.00	107	148	M30 x 3.50	1117	1545
M16 x 2.00	167	231	M33 x 3.50	1468	2101
M18 x 2.50	222	318	M36 x 4.00	1952	2701
<p>These torque values apply to fasteners except those noted in the instructions.</p>					

## INSTALLATION INSTRUCTIONS

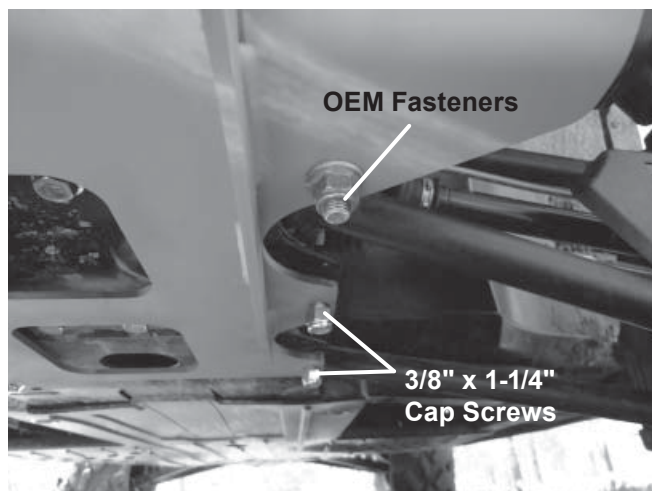
**NOTE:** For easier assembly and installation, the vehicle and all snowplow components should be on a smooth, level, hard surface, such as concrete.

### For Gravelly Atlas JSV and Polaris Ranger XP 900:

1. Remove and retain the fasteners attaching the skid plate to the vehicle frame on both sides of the vehicle.



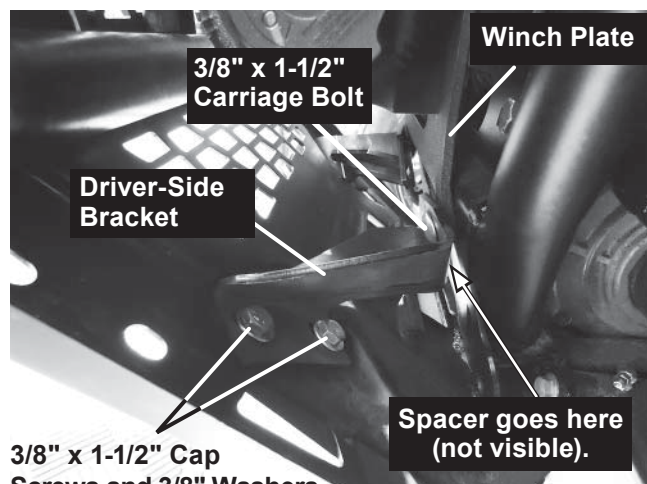
2. Install the mount skid plate assembly as shown. Reuse the OEM fasteners removed in Step 1 in the front holes. Use the supplied 3/8" x 1-1/4" cap screws in the remaining four positions. Fasteners should be finger tight.



3. To install the driver-side bracket, position the driver-side bracket as shown.

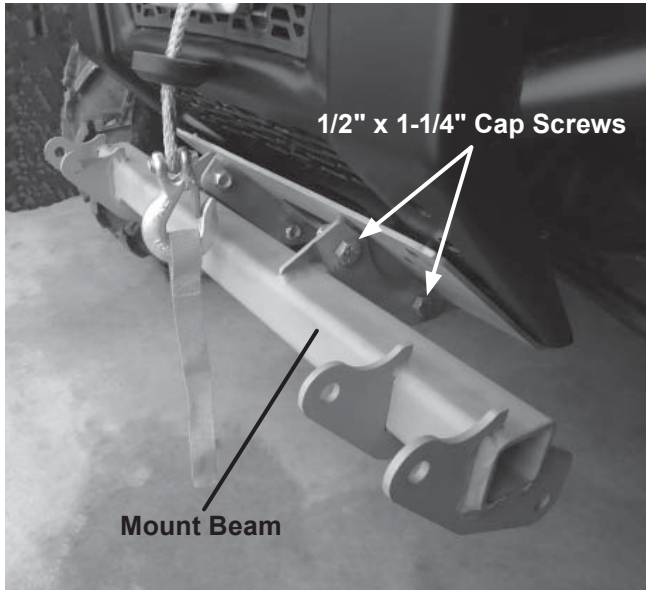
**If the vehicle is equipped with a winch:** Align one hole in the winch plate spacer with the bottom hole of the driver-side bracket to fill the existing gap. Install the bracket and spacer using two 3/8" x 1-1/2" carriage bolts and 3/8" locknuts. (The second hole in the spacer is not used.)

**If the vehicle is not equipped with a winch:** Align both holes in the winch plate spacer with the holes in the driver-side bracket to fill the existing gap and secure with two 3/8" x 1-1/2" carriage bolts and 3/8" locknuts.



4. Secure the driver-side bracket to the vehicle skid plate and the skid plate assembly using two 3/8" x 1-1/2" cap screws and 3/8" locknuts.
5. Repeat Steps 3 and 4 on the passenger's side.
6. Tighten all fasteners according to the torque chart.

7. Install the mount beam to the skid plate using four 1/2" x 1-1/4" cap screws and 1/2" locknuts. The mount beam should be parallel to the ground. Tighten the fasteners according to the torque chart.



8. Measure the distance between the mount beam rear hole and the ground. If it exceeds 11-1/2", install the accessory Adapter Plates Kit (PN 77555) to ensure optimum plowing performance.

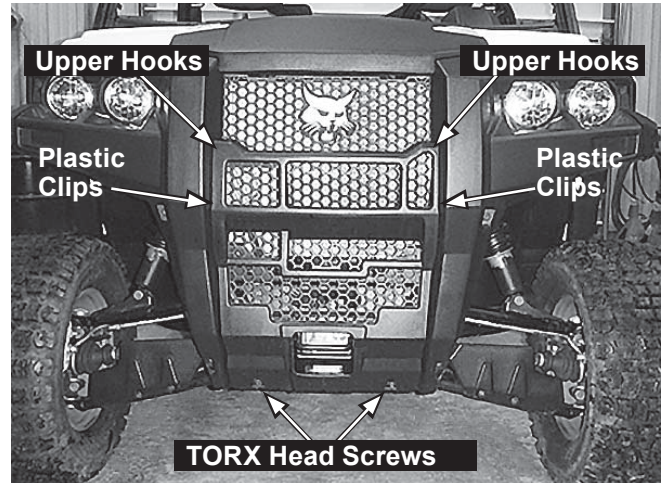
---

**NOTE: After five to ten hours of snowplow usage, retorque all mount assembly fasteners**

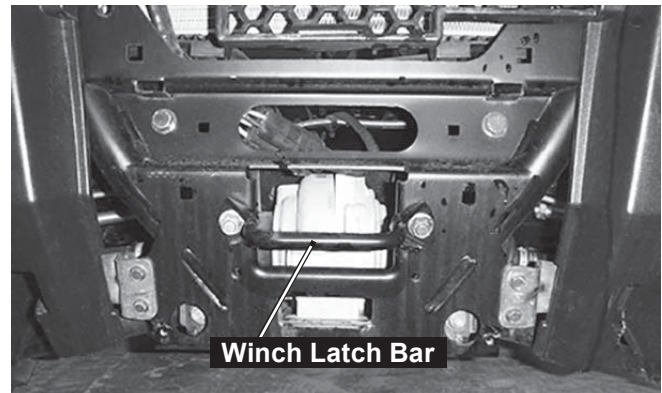
---

**For Bobcat 3400:**

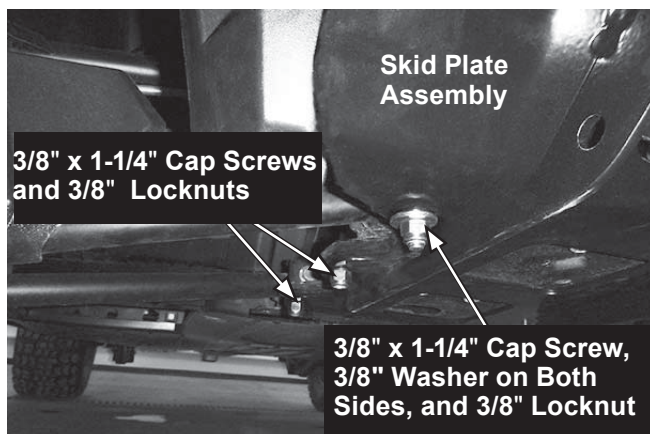
1. Remove the grille by removing the two TORX® head screws located at the bottom of the grille. Disengage the upper hooks then pull the grille away to disengage the plastic clips located midway up the grille.
2. Remove the winch latch bar. Retain for customer.



3. Position the skid plate assembly as shown.



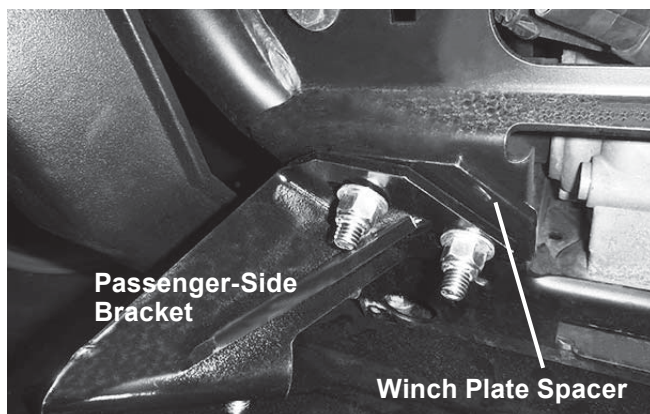
Secure the skid plate assembly in place with 3/8" x 1-1/4" cap screws, 3/8" washers (one on each side of the vehicle frame and skid plate assembly), and 3/8" locknuts in the front holes. Use 3/8" x 1-1/4" cap screws and 3/8" locknuts in the rear holes, as shown.



- To install the passenger-side bracket, position the passenger-side bracket as shown.

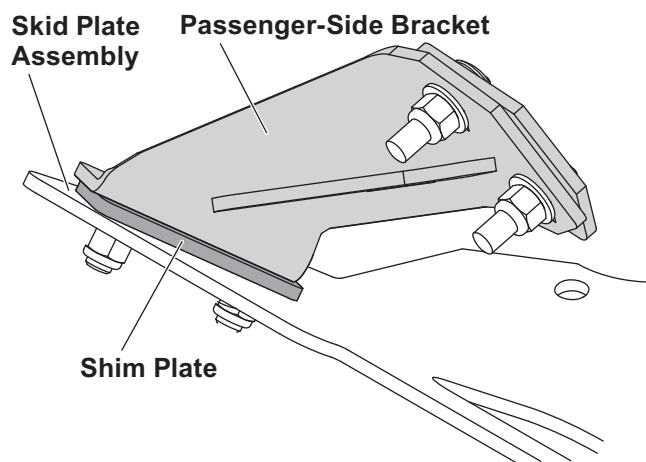
**If the vehicle is not equipped with a winch:**

Align both holes in the winch plate spacer with the holes in the passenger-side bracket to fill the existing gap. Secure with two 3/8" x 1-1/2" carriage bolts and 3/8" locknuts, as shown.



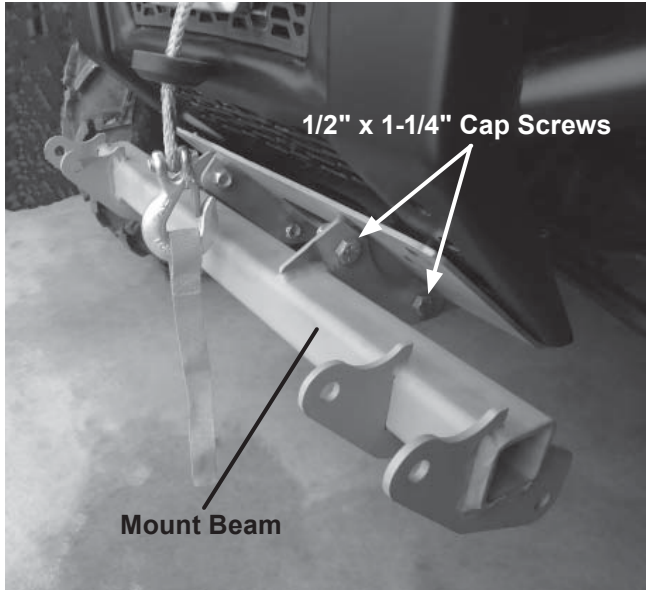
**If the vehicle is equipped with a winch:** Align one hole in the winch plate spacer with the bottom hole of the passenger-side bracket to fill the existing gap. Install the bracket and spacer using two 3/8" x 1-1/2" carriage bolts and 3/8" locknuts. (The second hole in the spacer is not used.)

- Insert a shim plate between the skid plate assembly and the passenger-side bracket. Secure all three items using 3/8" x 1-1/2" cap screws, a 3/8" washer on each side (bracket and skid plate assembly), and 3/8" locknuts.



- Repeat Steps 4 and 5 on driver's side.
- Tighten all fasteners according to torque chart.

8. Install the mount beam to the skid plate using four 1/2" x 1-1/4" cap screws and 1/2" locknuts. The mount beam should be parallel to the ground. Tighten fasteners according to the torque chart.



9. Measure the distance between the mount beam rear hole and the ground. If it exceeds 11-1/2", install the accessory Adapter Plates Kit (PN 77555) to ensure optimum plowing performance.

---

**NOTE: After five to ten hours of snowplow usage, retorque all mount assembly fasteners**

---

The company reserves the right under its product improvement policy to change construction or design details and furnish equipment when so altered without reference to illustrations or specifications used. This equipment manufacturer or the vehicle manufacturer may require or recommend optional equipment for snow removal. Do not exceed vehicle ratings with a snowplow. The company offers a limited warranty for all snowplows and accessories. See separately printed page for this important information.

**Printed in U.S.A.**