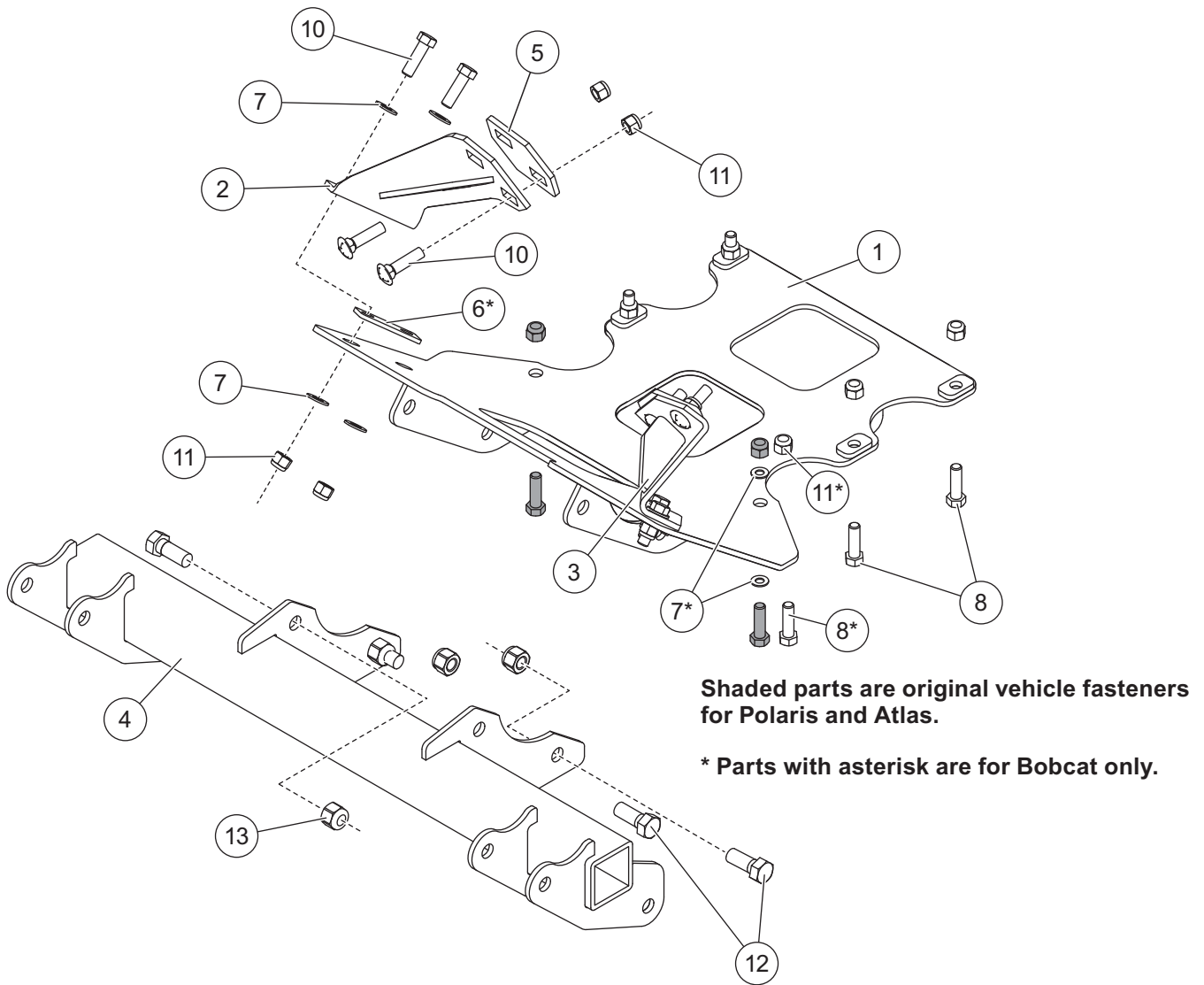


Mount Kit Personal Plow **Polaris Ranger XP 900 2012-__ /**
Polaris Ranger XP 1000 2016-17 / Ranger 570 Full-Sized 2014-__ /
Gravely Atlas JSV 2014-__ / Bobcat 3400 2015-__

35135

October 1, 2019
 Lit. No. 41917, Rev. 07

PARTS LIST



| 35135 Mount Kit | | | | | | | |
|-----------------|-------|-----|---------------------------------|-----------|--------|-----|---------------------------------|
| Item | Part | Qty | Description | Item | Part | Qty | Description |
| 1 | 41913 | 1 | Skid Plate Assembly | 6 | 76325 | 2 | Shim Plate |
| 2 | 41915 | 1 | Bracket - PS | ns | 41920 | 1 | Bolt Bag |
| 3 | 41914 | 1 | Bracket - DS | ns | 52565 | 1 | Vehicle Cable Assembly, Long |
| 4 | 41912 | 1 | Mount Beam | ns | 52596 | 1 | UTV Vehicle Control Harness |
| 5 | 96571 | 2 | Winch Plate Spacer | ns | 61548K | 1 | Plug Cover Kit |
| 41920 Bolt Bag | | | | | | | |
| 7 | | 16 | 3/8 Flat Washer | 11 | | 14 | 3/8-16 Hex Locknut GB |
| 8 | | 6 | 3/8-16 x 1-1/4 Hex Cap Screw G5 | 12 | | 4 | 1/2-13 x 1-1/4 Hex Cap Screw G5 |
| 9 | | 4 | 3/8-16 x 1-1/2 Hex Cap Screw G5 | 13 | | 4 | 1/2-13 Hex Locknut GB |
| 10 | | 4 | 3/8-16 x 1-1/2 Carriage Bolt G5 | | | | |
| ns = not shown | | | | G = Grade | | | |

Copyright © 2019 Douglas Dynamics, LLC. All rights reserved. This material may not be reproduced or copied, in whole or in part, in any printed, mechanical, electronic, film, or other distribution and storage media, without the written consent of the company. Authorization to photocopy items for internal or personal use by the company's outlets or snowplow owner is granted.

The company reserves the right under its product improvement policy to change construction or design details and furnish equipment when so altered without reference to illustrations or specifications used. This equipment manufacturer or the vehicle manufacturer may require or recommend optional equipment for snow removal. Do not exceed vehicle ratings with a snowplow. The company offers a limited warranty for all snowplows and accessories. See separately printed page for this important information.

Printed in U.S.A.
