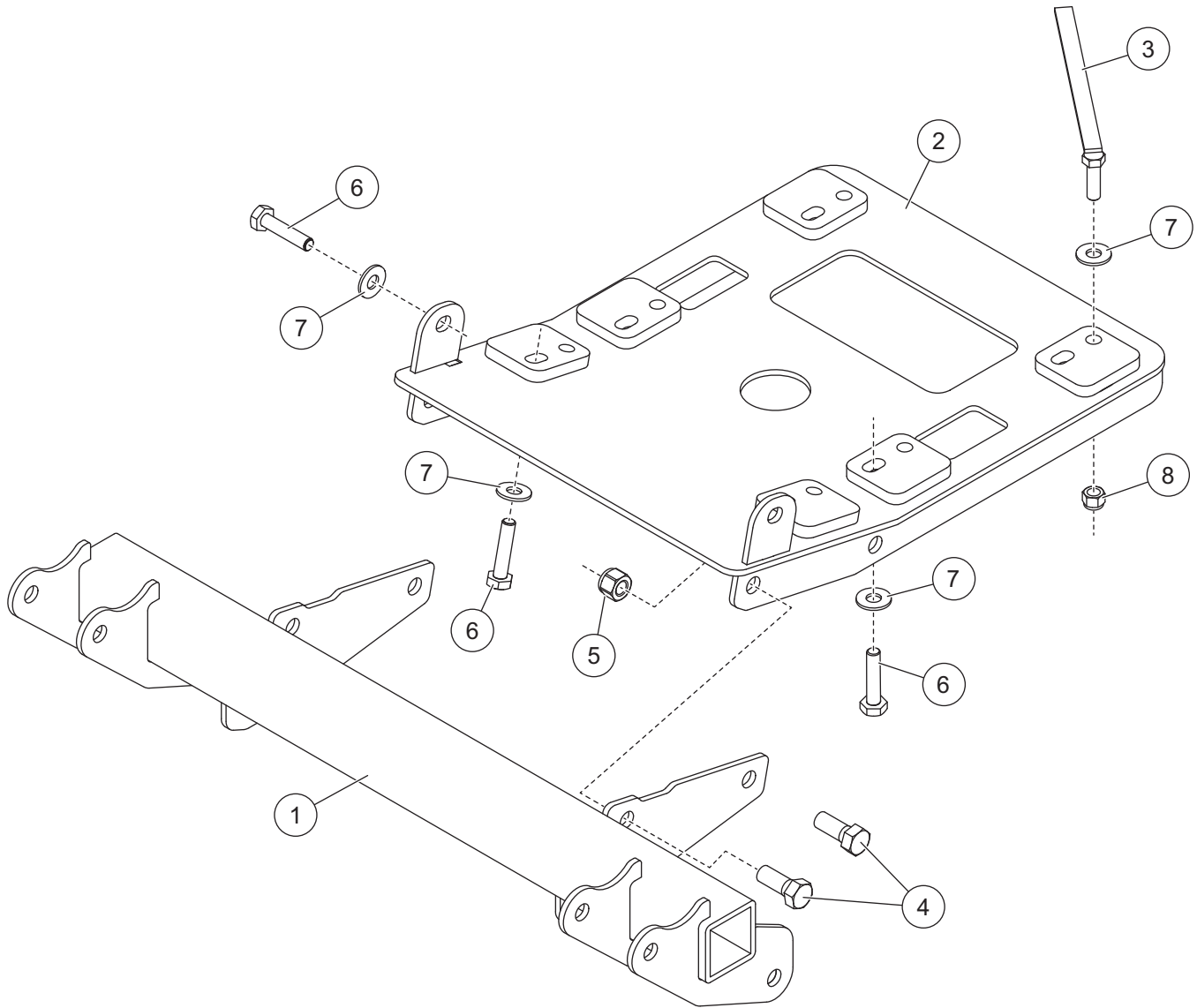


**PARTS LIST**



35141 Mount Kit						
Item	Part	Qty	Description	Item	Part	Qty Description
1	78526	1	Mount Beam	ns	52565	1 Vehicle Cable Assembly, Long
2	78525	1	Skid Plate Assembly	ns	52596	1 UTV Vehicle Control Harness
3	28043	2	3/8-16 x 1-1/4 Cap Screw G5 w/Handle	ns	61548K	1 Plug Cover Kit
ns	78530	1	Bolt Bag	ns		12 Cable Tie
78530 Bolt Bag						
4		4	1/2-13 x 1-1/4 Hex Cap Screw G5	7		8 3/8 Flat Washer
5		4	1/2-13 Hex Locknut GB	8		2 3/8-16 Hex Locknut GB
6		6	M10-1.25 x 45 Hex Cap Screw			
ns = not shown			M = Metric		G = Grade	

Copyright © 2019 Douglas Dynamics, LLC. All rights reserved. This material may not be reproduced or copied, in whole or in part, in any printed, mechanical, electronic, film, or other distribution and storage media, without the written consent of the company. Authorization to photocopy items for internal or personal use by the company's outlets or snowplow owner is granted.

The company reserves the right under its product improvement policy to change construction or design details and furnish equipment when so altered without reference to illustrations or specifications used. This equipment manufacturer or the vehicle manufacturer may require or recommend optional equipment for snow removal. Do not exceed vehicle ratings with a snowplow. The company offers a limited warranty for all snowplows and accessories. See separately printed page for this important information.

**Printed in U.S.A.**

---