

# **NORTHMAN 50125 HYDRAULIC UNIT**

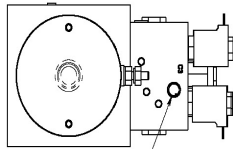
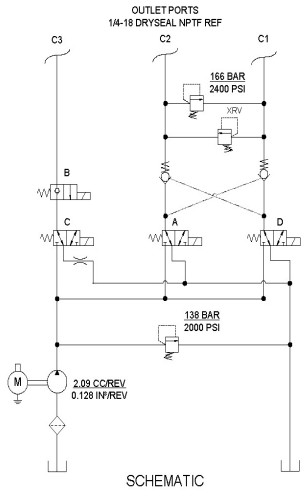
***PARTS, MAINTENANCE, AND  
INSTALLATION GUIDE***



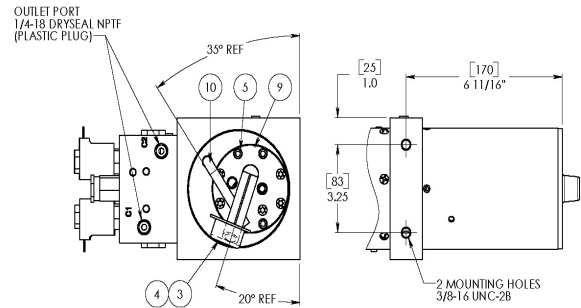
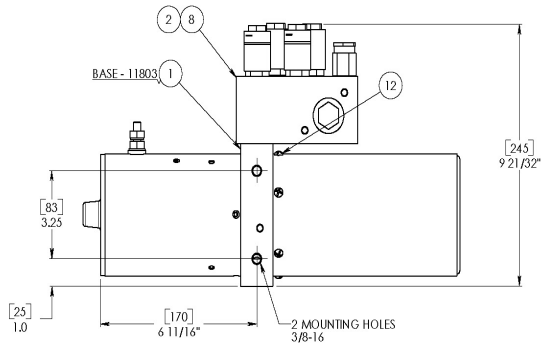
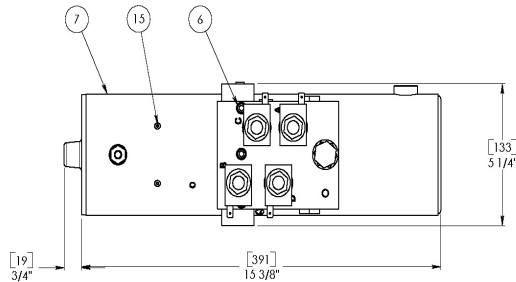
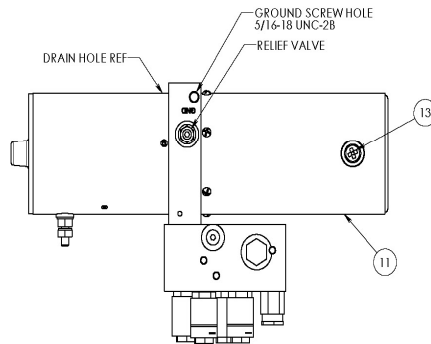
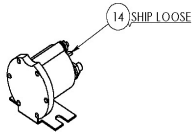
**NORTHMAN**  
*Snow Plows*

# HYDRAULIC UNIT NO. 50125

## PARTS LIST



OUTLET PORT  
1/4-18 DRYSEAL NPTF  
(PLASTIC PLUG)



VIEW SHOWN WITHOUT RESERVOIR

ITEM NO	QTY	PART NO	DESCRIPTION
1	1	11804	BASE ASSY, MG598, 4.5 MIR, MI, PLT
2	2	00118	O-RING, 5/8 X 3/4 X 1/16 -016
3	1	01134	FILTER, SCREEN M-SERIES SUCT.
4	1	01791	TUBE, SUCT 90, H/MT, M-400, 3/8NPT
5	4	07818	SCREWS, S.H. CAP, 1/4-20 X 3
6	3	07819	SCREWS, S.H. CAP, 1/4-20 X 2-3/4
7	1	08111	MOTOR, D.C. 12V, 4.5", 1 TERM
8	1	11469	VALVE ASSY, 3W/4WX-OVER RVS
9	1	12171-250	P ASSY, GM MDLR, D.C. BRGS BLD RSV
10	1	13058	TUBE, RETURN 90 DEG, 1/8NPT, M301
11	1	14318	RESV, 4.5 DIA X 8, H/SIDE/MT, M-300
12	6	07703	SCREW, SELF TAPPING, 10-24 3/8
13	1	01516	PLUG, RESERVOIR BREATHER 3/8NPT
14	1	17808	SWITCH, SOL MIR ST, 12VDC, FLAT
15	2	08699	PLUG, CAP, NYLON, PUSH-IN, MOTOR

# HYDRAULIC UNIT NO. 50125 INSTALLATION & WIRING GUIDE

