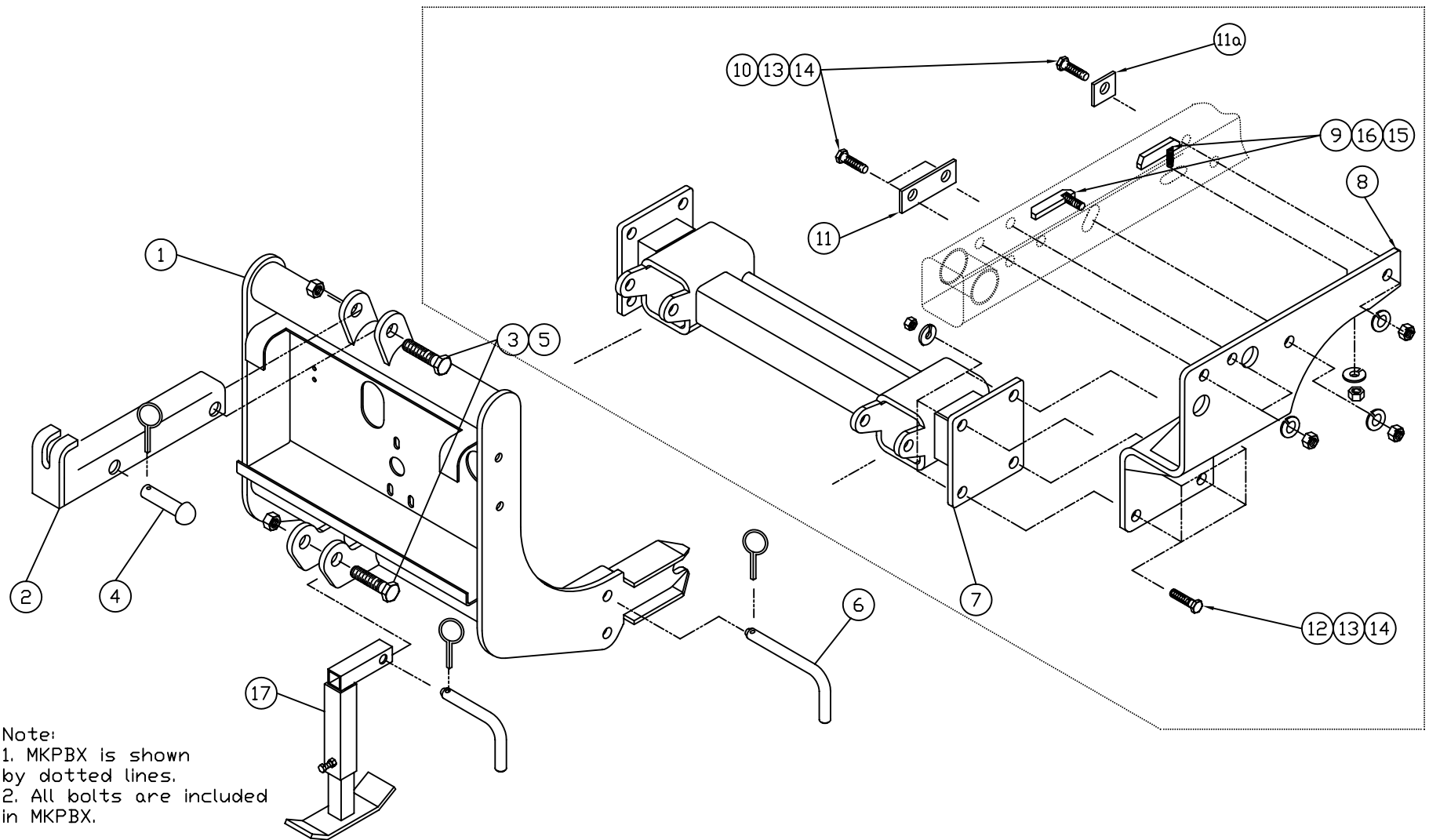


# **MOUNTING KIT**

**Jeep YJ (4 x 4) (1986 -1996)**

**52885-MKPBX**

# MOUNTING KIT 52885-MKPBX



Note:  
1. MKPBX is shown  
by dotted lines.  
2. All bolts are included  
in MKPBX.

**Arctic Equipment Manufacturing Corporation**

Mounting kit 52885-MKPBX

52885-MKPBX R04

INST0056

Mounting Kit 52885-MKPBX				
Item	Part #	Description	MKPBX	X-MKB
1	52638-D	Lift Frame		1
2	50069-C	Lift Channel		1
3	HH-00972-153	3/4"x3 1/2" UNF Cap screw	2	
4	52757-M	Rivet Ass'y (rivet & lynch pin)		1
5	HH-00973-007	3/4" UNF Thin Collar Lock nut	2	
6	1302045	Pin assembly		2
7	52886-D	Spreader bar	1	
8	52887-01-D	Mounting plate driver side	1	
8a*	52887-02-D	Mounting plate curb side	1	
9	52161-A	Thrust arm fastener	4	
10	HH-00972-138	5/8" x 4" UNF Cap screw	6	
11	52907-A	Front washer plate	2	
11a	52908-A	Back washer plate	2	
12	HH-00972-129	5/8" x 1 3/4" UNF Cap screw	8	
13	HH-00457-003	5/8" Lock washer	14	
14	HH-00460-001	5/8" Hex nut	14	
15	HH-00460-002	1/2" Hex nut	4	

# Arctic Equipment Manufacturing Corporation

Mounting kit 52885-MKPBX

52885-MKPBX R04

INST0056

Mounting Kit 52885-MKPBX				
Item	Part #	Description	MKPBX	X-MKB
16	HH-00457-001	1/2" Lock washer	4	
17	52671-M	Jack Assembly (with lynch pin)		1
18*	HH-00293-006	1/4"x1" UNC Cap screw	4	
19*	HH-00294-001	1/4" Hex Nut	4	
20*	HH-00457-006	1/4" Lock washer	4	
21*	50999-B	Blade Guides		2

**Note:** \* These items are not shown on the drawing.

## GENERAL

### Customer must be aware of following:

Arctic Equipment Manufacturing Corporation (Arctic) does not assume liability for damage to your motor vehicle resulting from the attachment or use of an Arctic snowplow. The purchaser assumes all vehicle risk associated with the attachment and operation of this snowplow.

The Arctic snowplow you purchase must be used only on vehicles equipped with the manufacturer's snow plow preparation package. Snow plowing without the original plow preparation package may damage your vehicle. The added weight may impair the operation and control of your vehicle. Snow plowing with a vehicle not recommended for that purpose by the manufacturer may void your new vehicle warranty. If your vehicle is not equipped with an original snow plow preparation package, additional equipment may be necessary before snow plowing. Please consult your vehicle and snowplow dealers prior to the purchase and installation of the snowplow. The installation of such parts however is not a full substitute for the original equipment snowplow preparation package.

Before drilling any holes in the firewall or frame, move brake lines, fuel lines and/or electrical wiring from the path of the drill. Brake and fuel lines must also be clear of any fasteners.

All bolts should be installed from the inside of the truck frame so that the lock washers and nuts are accessible for re-tightening (where it is possible).

If a slotted hole in the truck frame is utilized, then a flat washer must be used under the bolt head. If a flat washer is used under a lock washer use LOCTITE #242. Also use LOCTITE #242 if existing (vehicle) bolts and nuts are used.

General order of installation:

- install all components (mounting bracket, thrust arms) and all fasteners finger tight (snug) through existing holes,
- drill necessary holes and
- tighten all hardware.



**After first use, re-tighten all mounting bolts**, thereafter check mounting bolt tightness periodically and at the start of the season.

For easier installation, grind only the paint out of the top holes of the mounting bracket and the top hole of the lift frame, where the mounting pins will go.

Before proceeding, read instructions carefully and familiarize yourself with the components and hardware.

### INSTALLATION INSTRUCTIONS

1. Insert special bolts (9) (2 in each side of the vehicle frame) through existing slotted holes. Install mounting bracket (8)(8a) to vehicle frame and secure using special bolts (9) already inserted in the frame with 1/2" nut (15) and 1/2" lock washer (16)). Install 5/8" bolts (10) (with front (11) and back washer plate (11a)), lock washer (13) and nut(14).
2. Install spreader bar (7) using 8 bolts 5/8" x 1 3/4" (12), lock washer (13) and nut (14).
3. Torque all fasteners according to torque chart.
4. Install lift frame (1). Slide lift frame (1) inside of spreader bar (7). Insert mounting pin (6) in top holes of the spreader bar (7).
5. Fasten lift channel (2) and lift cylinder to the lift frame (1) using 3/4"x3 1/2" bolts (3) and 3/4" locknut (5). Use 3/4" rivet and lynch pin (4) to attach lift cylinder (lift cylinder needs to be installed after power unit is installed). NOTE: Do not over tighten as this assembly must be able to pivot.
6. Torque all fasteners according to torque chart.
7. Use 1/4"x1" bolt (18), 1/4" lock washer (20) and 1/4" hex nut (19) to fasten blade guides (21) to plow.
8. See separate installation instructions for the hydraulic pump, wiring and controls.

TORQUE CHART (FT. L.B.)		
SIZE	GRADE 5 BOLT 	GRADE 8 BOLT 
1/4 - 28	8	11
5/16 - 24	15	22
3/8 - 24	28	40
7/16 - 20	44	63
1/2 - 20	69	97
5/8 - 18	138	195
3/4 - 16	241	341
Note: Torque values are for plated bolts only		