

⚠ WARNING

CALIFORNIA Proposition 65 Warning

This product contains a chemical or chemicals known to the State of California to cause cancer, birth defects, or reproductive harm.

BOSS Products limited consumer warranty and BOSS Products commercial warranty policies are located at www.bosspow.com.

Safety

- Always follow the vehicle manufacturer's recommendations relating to snowplow installation. For recommended vehicle models, refer to the *BOSS Snowplow Application Chart and Selection Guide*.
- Many newer trucks are equipped with air bags. **Never** disable, remove, or relocate any sensors or other components related to the operation of the air bags.
- To comply with federal regulations and to assure a safe vehicle, do not exceed the front gross-axle-weight rating (FGAWR), rear gross-axle-weight rating (RGAWR), and the gross-vehicle-weight rating (GVWR) at any time.
- Due to the variety of equipment that you can install on the vehicle, do not exceed the front gross-axle-weight rating (FGAWR), rear gross-axle-weight rating (RGAWR), and the gross-vehicle-weight rating (GVWR) at any time. This may require weighing the vehicle and adding ballast as necessary. It may also limit the payload capacity of the vehicle.

Installation

1. Park the vehicle on a level surface, engage the parking brake, shut off the engine, and remove the key.
2. Remove the lower bumper valance and tow hooks from the vehicle.
3. Align the bottom holes of the support plates with the holes under the end of the vehicle frame rails.
4. Use the existing bolts from the tow hooks to attach the driver-side support plate, passenger-side support plate, and tow hooks to the frame.
5. Mark the holes on the outside of the frame rails and remove the support plates.
6. Locate your marks and drill 2 holes (1.43 cm or 9/16 inch) on each frame rail.
7. Place the 4 bolts inside the vehicle frame by threading each bolt onto a bolt puller and pulling the end of the bolt puller through the large access hole, near the mounting holes ([Figure 1](#)).

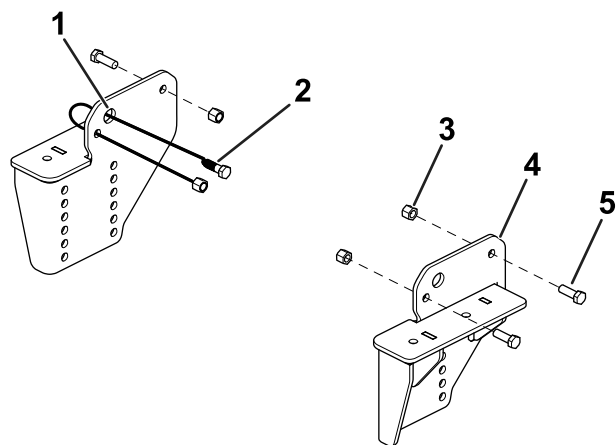
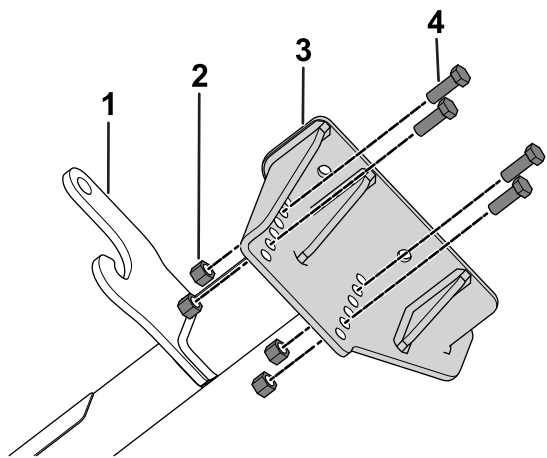


Figure 1

- | | |
|----------------|------------------------------|
| 1. Access hole | 4. Support plate—driver side |
| 2. Bolt puller | 5. Bolt |
| 3. Nut | |

8. Use 4 nuts to secure the bolts to the frame ([Figure 1](#)).

9. Use 8 bolts and 8 nuts to secure the push beam to the support plates (Figure 2).

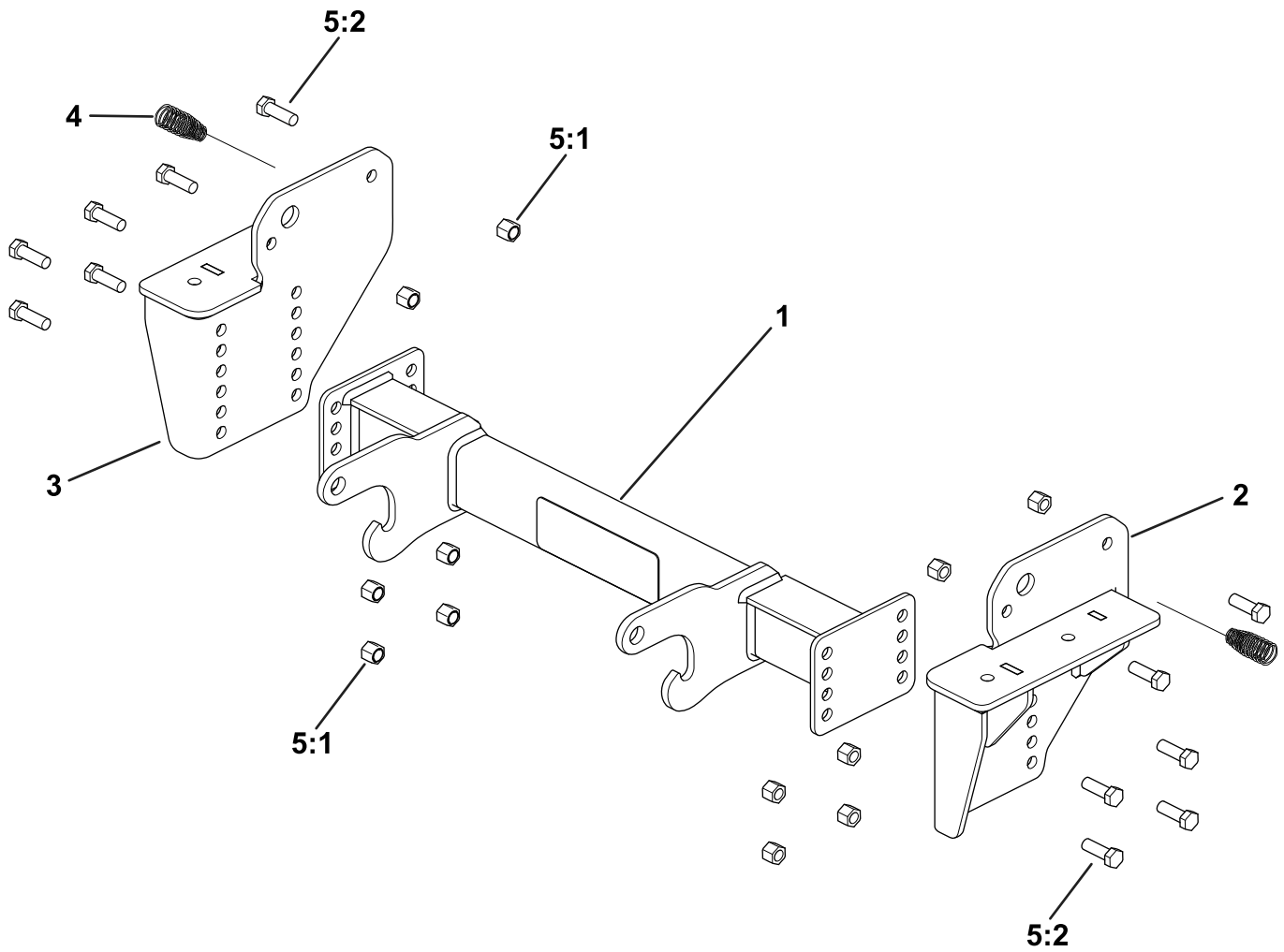


g236165

Figure 2

- | | |
|--------------|------------------------------|
| 1. Push beam | 3. Support plate—driver side |
| 2. Nut | 4. Bolt |

-
10. Install the lower bumper valance to the vehicle.
 11. Torque the bolts to 76 N·m (56 ft-lb).



g230861

Parts

Ref.	Part Number	Qty.	Description	Ref.	Part Number	Qty.	Description
1	PBA10425 (for model LTA10420) PBA10480 (for model LTA10415)	1	PUSH BEAM ASSEMBLY	5:1	HDW01748	12	NUT, NYL INS, 1/2-13, YZN
2	PBA10470	1	PUSH BEAM SUPPORT PLATE, DRIVER SIDE	5:2	HDW01728	12	HHCS, 1/2-13 X 1-1/2, GR5, YZN
3	PBA10475	1	PUSH BEAM SUPPORT PLATE, PASSENGER SIDE				
4	MSC09670	2	BOLT PULLER, 1/2-13				
5	HDW10432	1	FASTENER KIT, NISSAN TITAN XD, 18UP				

BOSS
S N O W P L O W