

BOSS Products limited consumer warranty and BOSS Products commercial warranty policies are located at www.BOSSPlow.com.

Patents pending.

Safety

- Always follow the vehicle manufacturer's recommendations relating to system installation. For recommended vehicle models, refer to the *BOSS Snowplow Application Chart and Selection Guide*.
- Never disable, remove, or relocate any sensors or other components related to the operation of the air bags.
- To comply with federal regulations and to assure a safe vehicle, do not exceed the front gross-axle-weight rating (FGAWR), rear gross-axle-weight rating (RGAWR), and the gross-vehicle-weight rating (GVWR) at any time.
- Due to the variety of equipment that you can install on the vehicle and undercarriage, do not exceed the front gross-axle-weight rating (FGAWR), rear gross-axle-weight rating (RGAWR), and the gross-vehicle-weight rating (GVWR) at any time. This may require weighing the vehicle and adding ballast as necessary. It may also limit the payload capacity of the vehicle.

Installation

Determine the left and right sides of the machine from the normal operating position.

1. Park the machine on a level surface, shut off the engine, wait for all moving parts to stop, engage the parking brake, and remove the key.
2. Remove the fasteners shown in [Figure 1](#).

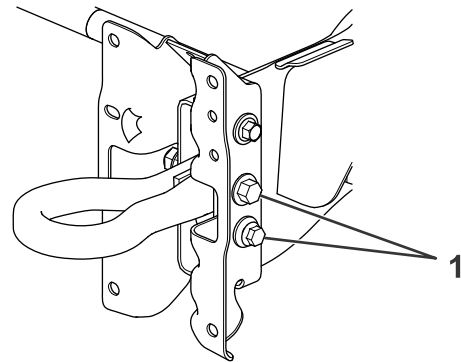


Figure 1

g299733

1. Remove

3. Loosely secure the front of the sideplates to the vehicle frame as shown in [Figure 2](#).

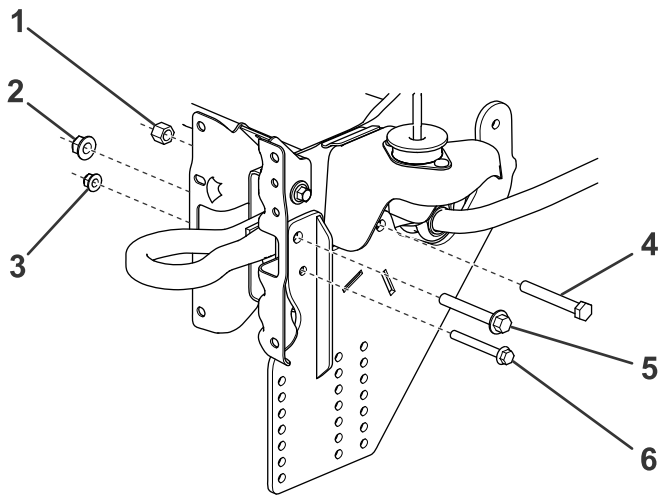


Figure 2

g299734

- | | |
|-----------------------|--------------------|
| 1. Locknut (5/8 inch) | 4. Bolt (5/8 inch) |
| 2. Locknut (M16) | 5. Bolt (M16) |
| 3. Locknut (M12) | 6. Bolt (M12) |

4. Loosely secure the rear of the sideplates to the vehicle frame using a bolt bar, 2 split washers, and a nut (1/2 inch) as shown in [Figure 3](#).

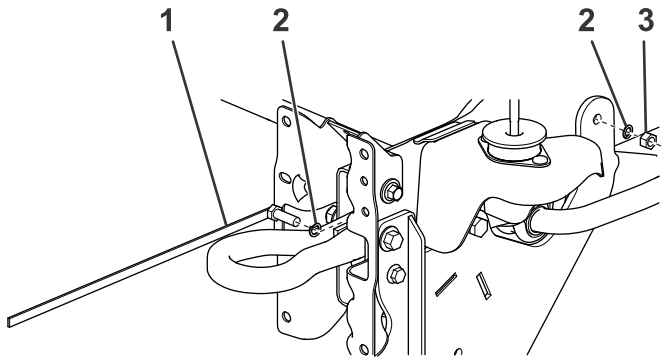


Figure 3

g299735

- | | |
|-----------------|-------------------|
| 1. Bolt bar | 3. Nut (1/2 inch) |
| 2. Split washer | |

5. Loosely secure the pushbeam to the sideplates using 4 bolts (1/2 inch) and nylon locknuts ([Figure 4](#)) according to your model:

Note: Refer to your plow *Owner's Manual* for the appropriate pushbeam height.

- For model LTA23040, use the front sets of holes.
- For model LTA23045, use the outer sets of holes.

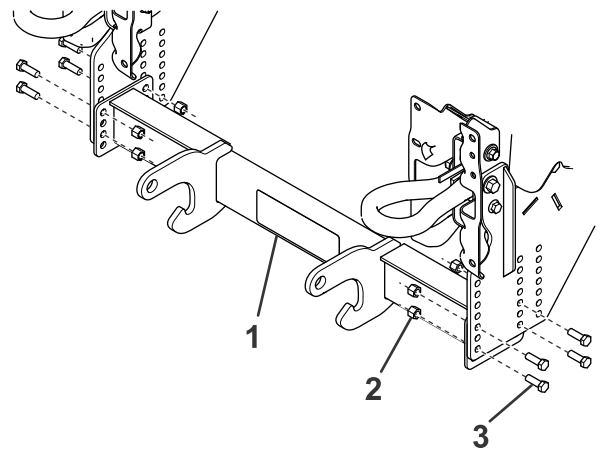


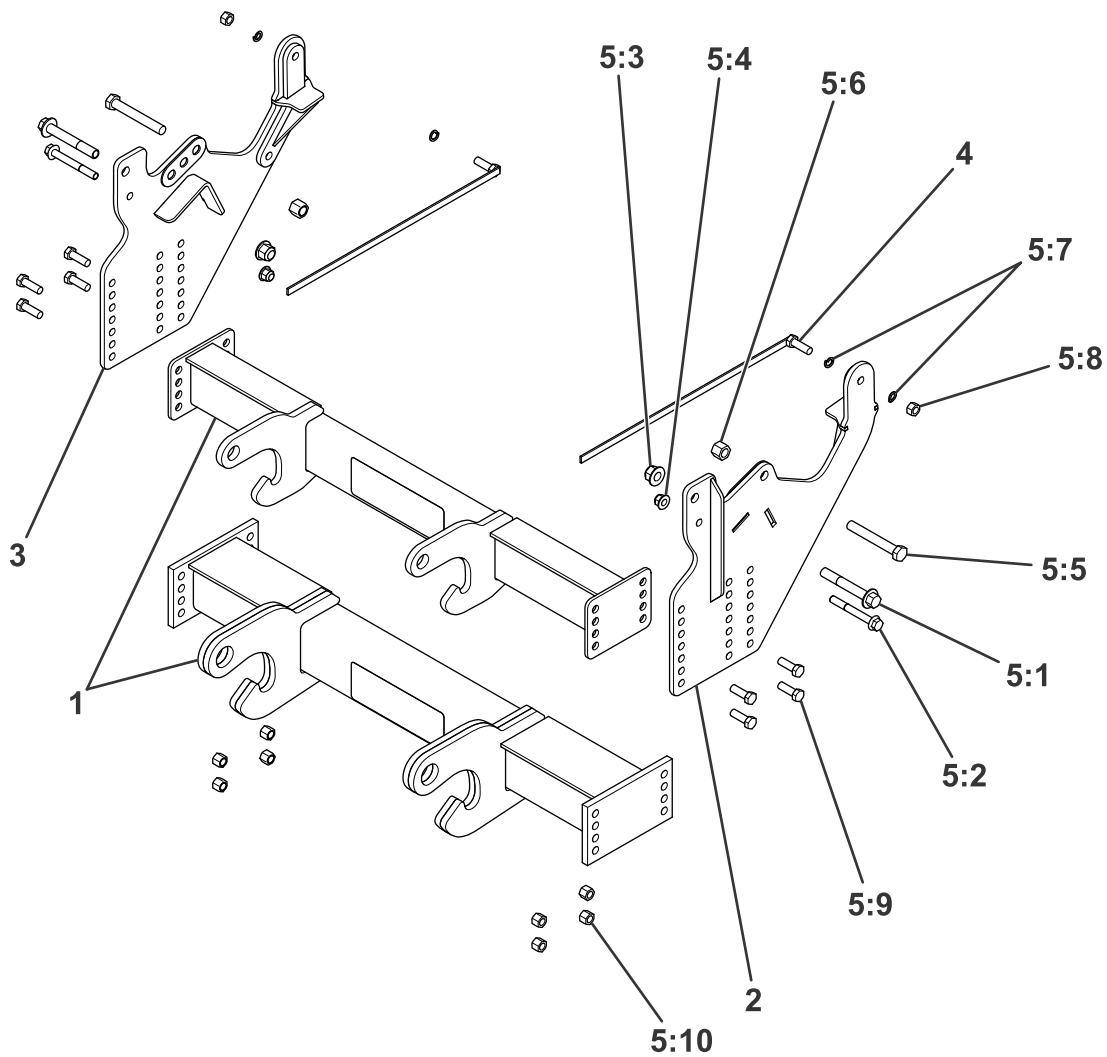
Figure 4

g299736

- | | |
|-----------------------------|--------------------|
| 1. Pushbeam | 3. Bolt (1/2 inch) |
| 2. Nylon locknut (1/2 inch) | |

6. Torque all the fasteners to the following specifications:

- M16 bolts to 257 N·m (190 ft-lb)
- M12 bolts to 96 N·m (71 ft-lb)
- 1/2-inch bolts to 76 N·m (56 ft-lb)
- 5/8-inch bolts to 153 N·m (113 ft-lb)



Parts

g299732

Ref.	Part Number	Qty.	Description	Ref.	Part Number	Qty.	Description
1	PBA23044-03 (for model LTA23040)	1	PB ASM RT3, RAM 4500/5500, 19+	5:3	HDW10399	2	NUT, NYLOCK, M16, 10.9, FLANGE HEAD, YZN
	PBA23041 (for model LTA23045)		PB ASM RT3/HD, RAM 4500/5500, 19+	5:4	HDW11238	2	NUT, NYLOCK, FLANGE, M12 X 1.75 MM, CL10, YZN
2	PBA23048-03	1	PBSP, DR, RAM 4500/5500, 19+	5:5	HDW01705	2	HHCS, 5/8-11 X 4-1/2 NC, GR5, YZN
3	PBA23056-03	1	PBSP, PS, RAM 4500/5500, 19+	5:6	HDW05619	2	NUT, 5/8-11, NYL INS, YZN
4	LTA04896	2	BOLT BAR ASM, 1/2-13 X 1-1/2 X 20	5:7	HDW01732	4	WASHER, 1/2, SPLIT LOCK, YZN
5	HDW23057	1	KIT-HARDWARE, RAM 4500/5500, 19+	5:8	HDW02410	2	NUT, 1/2-13, FIN, FULL, YZN
5:1	HDW15422	2	HHCS, M16 X 110 MM, 10.9, FLANGE HEAD, YZN	5:9	HDW01728	8	HHCS, 1/2-13 X 1-1/2, NC, GR5, YZN
5:2	HDW15428	2	HHCS, M12 X 1.75 MM X 100 MM, CL10.9, FLNGE, YZN	5:10	HDW01748	8	NUT, 1/2-13, NYL INS, YZN

BOSS

S N O W P L O W