



1988 AND NEWER CHEVROLET UNDERCARRIAGE MOUNTING INSTRUCTIONS (PART NO. LTA2406)

TABLE OF CONTENTS

UNDERCARRIAGE MOUNTING INSTRUCTIONS	2
PUSH BEAM ASSEMBLY PARTS LIST (FIGURE 1)	3
UNDERCARRIAGE PARTS LIST (FIGURE 3)	5
TORQUE CHART (FIGURE 4)	6
LIFT SYSTEM AND HEADLIGHT INSTALLATION INSTRUCTIONS	8
LIFT SYSTEM AND LIGHT BRACKET INSTALLATION PARTS LIST	9
PUMP BRACKET INSTALLATION	10
ALTERNATE METHOD OF ATTACHING THE RAPID-TACH RELEASE CABLE	12
TWO YEAR WARRANTY	13

CHEVROLET (1988 & NEWER)
PART NO. LTA2406
7'6", 8'2", AND 9'2" MODELS
UNDERCARRIAGE MOUNTING INSTRUCTIONS

The mounting procedure outlined below covers CHEVROLET (1988 & Newer) 1/2, 3/4, and 1 ton trucks. You will need to refer to the illustrations and familiarize yourself with each of the undercarriage components and their relative position to each other. Then proceed as follows:

1. Remove the truck bumper and bumper brackets and install the LIFT TOWER ADAPTOR (Ref. No. 74A, Fig 3) using the hex head bolts, flat washers, and lock washers provided, fasteners should only be finger tight.
2. Place the LIFT TOWER ASSEMBLY (Ref. No. 74, Fig. 3) up to the LIFT TOWER ADAPTOR on the truck. Bolt them together using the hex head bolts and self locking nuts provided, fasteners should only be finger tight.
3. Assemble the PUSH BEAM ASSEMBLY (Ref. No. G, Fig. 1) as shown.
4. Attach the PUSH BEAM ASSEMBLY to the LIFT TOWER ASSEMBLY as shown in Figure 3 using hex head bolts and self locking nuts, fasteners should only be finger tight. To determine the mounting height of the PUSH BEAM see plow type below:

A) V-Plow Measure from the center of the HORIZONTAL MOUNTING PIN (See Fig. 2) on the T-Frame to the ground when the plow is in the vee position. Position the PUSH BEAM ASSEMBLY to the appropriate height so the MOUNTING JAWS (See Figure 2) will accept the HORIZONTAL MOUNTING PIN on the T-FRAME.

NOTE: Should the PUSH BEAM ASSEMBLY be mounted higher than the HORIZONTAL MOUNTING PINS, the nose of the plow will tend to dig in while plowing. If the PUSH BEAM ASSEMBLY is mounted too low, the wings of the plow will not lay flat against the ground. This will be most apparent when plowing in the carry position.

B) Straight Blade Plow The distance from the ground to the top of the lower mounting jaw should be approximately 11-1/2" (See Fig. 2).

5. Install ANGLE BRACKET ADAPTER (Ref. No. 76, Fig. 3) with bolts, nuts, and flat washers, fasteners should only be finger tight. Install RIGHT ANGLE BRACKET (Ref. No. 75R, Fig. 3) and LEFT ANGLE BRACKET (Ref. No. 75L, Fig. 3) to the mounting points on the LIFT TOWER ASSEMBLY and to their positions on the ANGLE BRACKET ADAPTER using the hex head bolts and self locking nuts provided, fasteners should be only finger tight.

6. With all undercarriage parts in place, securely fasten all mounting hardware. IT IS IMPORTANT THAT FASTENERS BE PROPERLY TORQUED (SEE FIGURE 4) TO ASSURE A SAFE OPERATING PLOW.

7. Reinstall the front bumper directly to the LIFT TOWER ASSEMBLY as shown in Figure 3.

With the above items completed, the hydraulic system can be installed. Refer to the Hydraulic Section for step by step instructions on how to install the HYDRAULIC PUMP, VALVE ASSEMBLY, HOSES, and CONTROL SWITCHES.

PUSH BEAM ASSEMBLY
PARTS LIST (FIGURE 1)

REF. NO.	DESCRIPTION	PART NO.	QTY.
A	Rapid-Tach Release Cable	MSC1512	1
B	Cable Stop	HDW1702	1
C	Rapid-Tach Pin	HDW1710	2
D	Rapid-Tach Spring	HDW1711	2
E	Cotter Pin	HDW1712	2
F	5/8" Flat Washer	HDW1726	4
G	Push Beam Assembly	PBA2000	1
H	Push Beam Release Strap	PBX0010	1

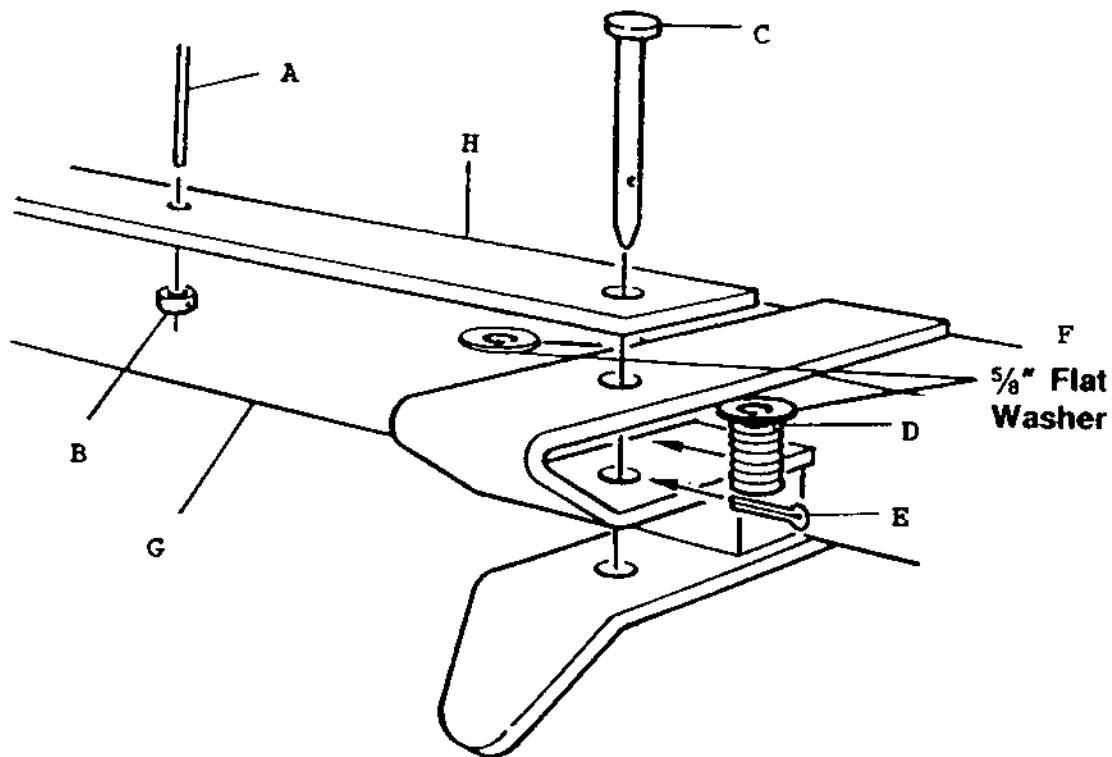


Figure 1

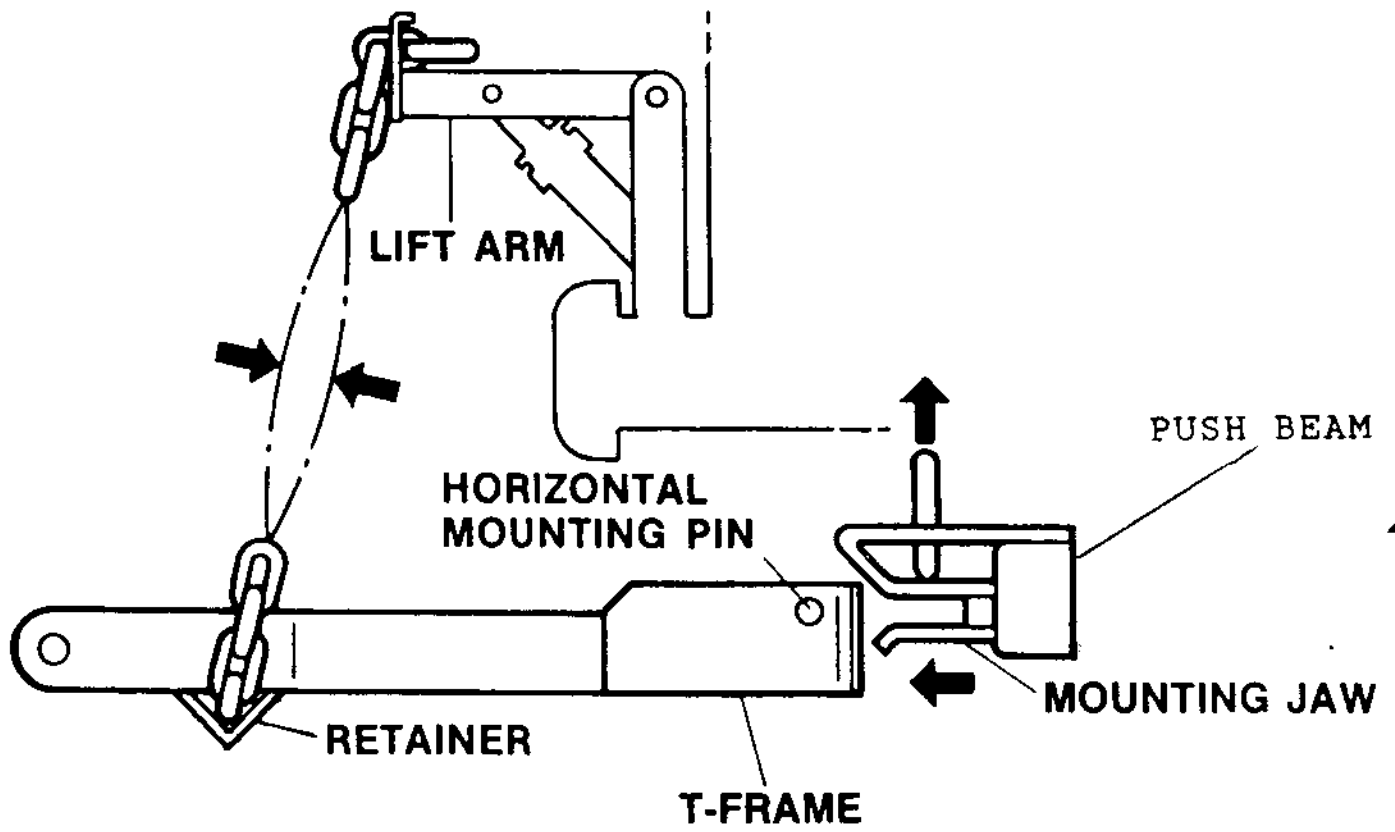
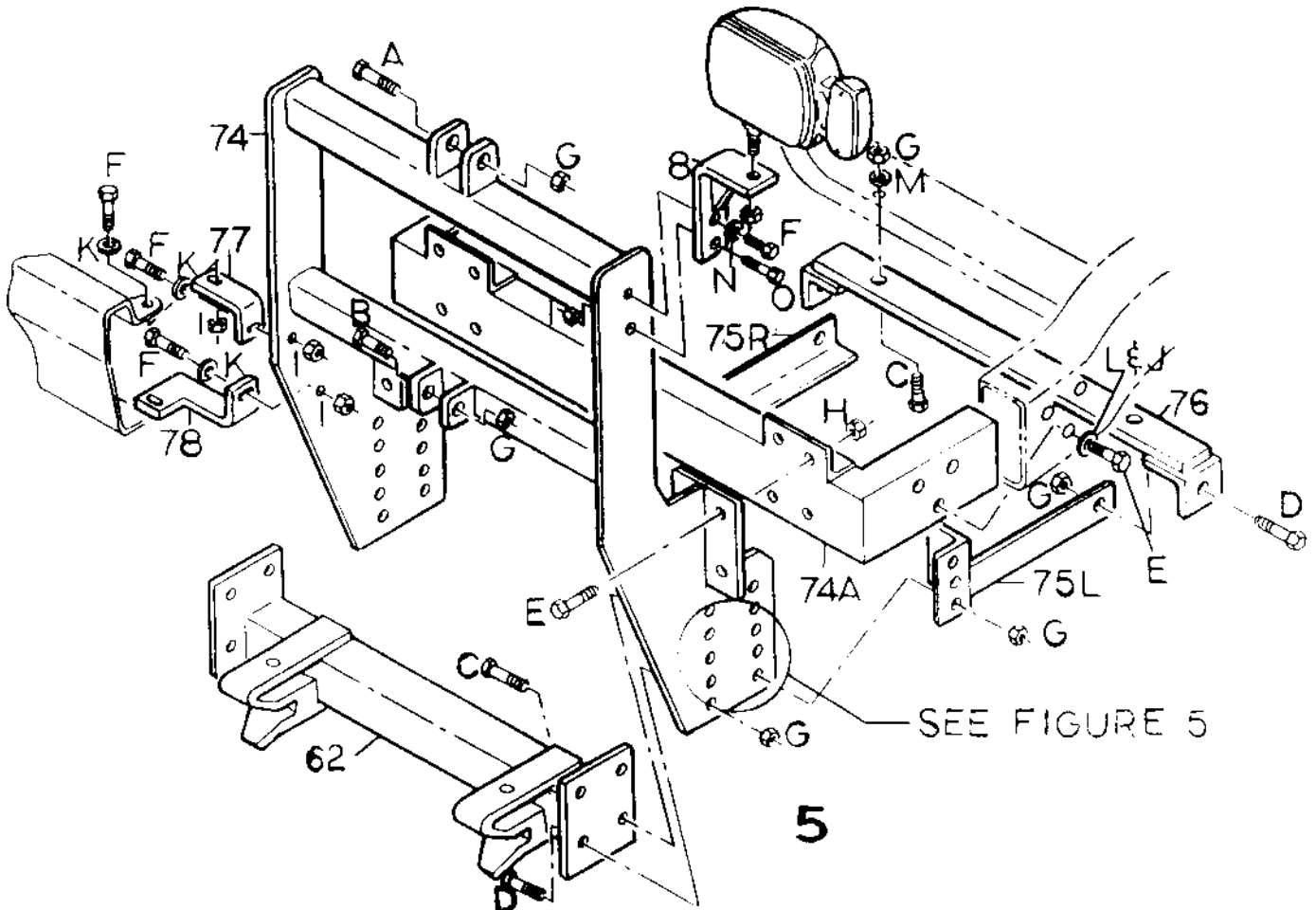


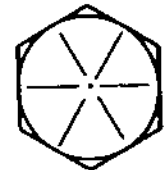
Figure 2

CHEVROLET (1988 & NEWER)
PART NO. LTA2406
UNDERCARRIAGE PARTS LIST

REF. NO.	DESCRIPTION	PART NO.	QTY.
74	Lift Tower Assembly	LTA2400	1
74A	Lift Tower Adapter	LTA2416	1
62	Push Beam Assembly	PBA2000	1
75R	Angle Bracket (Right)	LTA2401	1
75L	Angle Bracket (Left)	LTA2402	1
76	Angle Bracket Adapter	LTA2403	1
77	Upper Bumper Bracket	LTA2404	2
78	Lower Bumper Bracket	LTA2405	2
8	Auxiliary Light Bracket	LTA2420	2
A	5/8 x 4-1/2 Hex Head Bolt	HDW1705	1
B	5/8 x 4 Hex Head Bolt	HDW1706	1
C	5/8 x 2 Hex Head Bolt	HDW1731	6
D	5/8 x 1-1/2 Hex Head Bolt	HDW1727	6
E	1/2 x 1-1/2 Hex Head Bolt	HDW1728	14
F	3/8 x 1 Hex Head Bolt	HDW1717	10
G	5/8 Self Locking Nut	HDW1709	14
H	1/2 Self Locking Nut	HDW1703	8
I	3/8 Self Locking Nut	HDW1720	10
J	1/2 Lock Washer	HDW1732	6
K	3/8 Flat Washer	HDW1733	8
L	1/2 Flat Washer	HDW1729	6
M	5/8 Flat Washer	HDW1726	2
N	3/8 Lock Washer	HDW1718	2
O	3/8 X 1 1/2 Hex Head Bolt	HDW1719	2



GUIDE TO RECOMMENDED ASSEMBLY TORQUE
 All Torque Values Are In Foot-Pounds (Ft.-Lb.)



DIA. / PITCH	GRADE 5	GRADE 8
1/4 - 20	6	9
5/16 - 18	14	19
3/8 - 16	23	33
7/16 - 14	38	53
1/2 - 13	56	80
9/16 - 12	82	116
5/8 - 11	113	159
3/4 - 10	201	283

* The torque values listed above are based on dry, coated bolts, variables such as oil, or other lubrications may appreciably alter these values and must be taken into consideration.

NOTE: IT IS IMPORTANT THAT ALL FASTENERS BE PROPERLY TORQUED TO ASSURE A SAFE OPERATING PLOW.

Figure 4

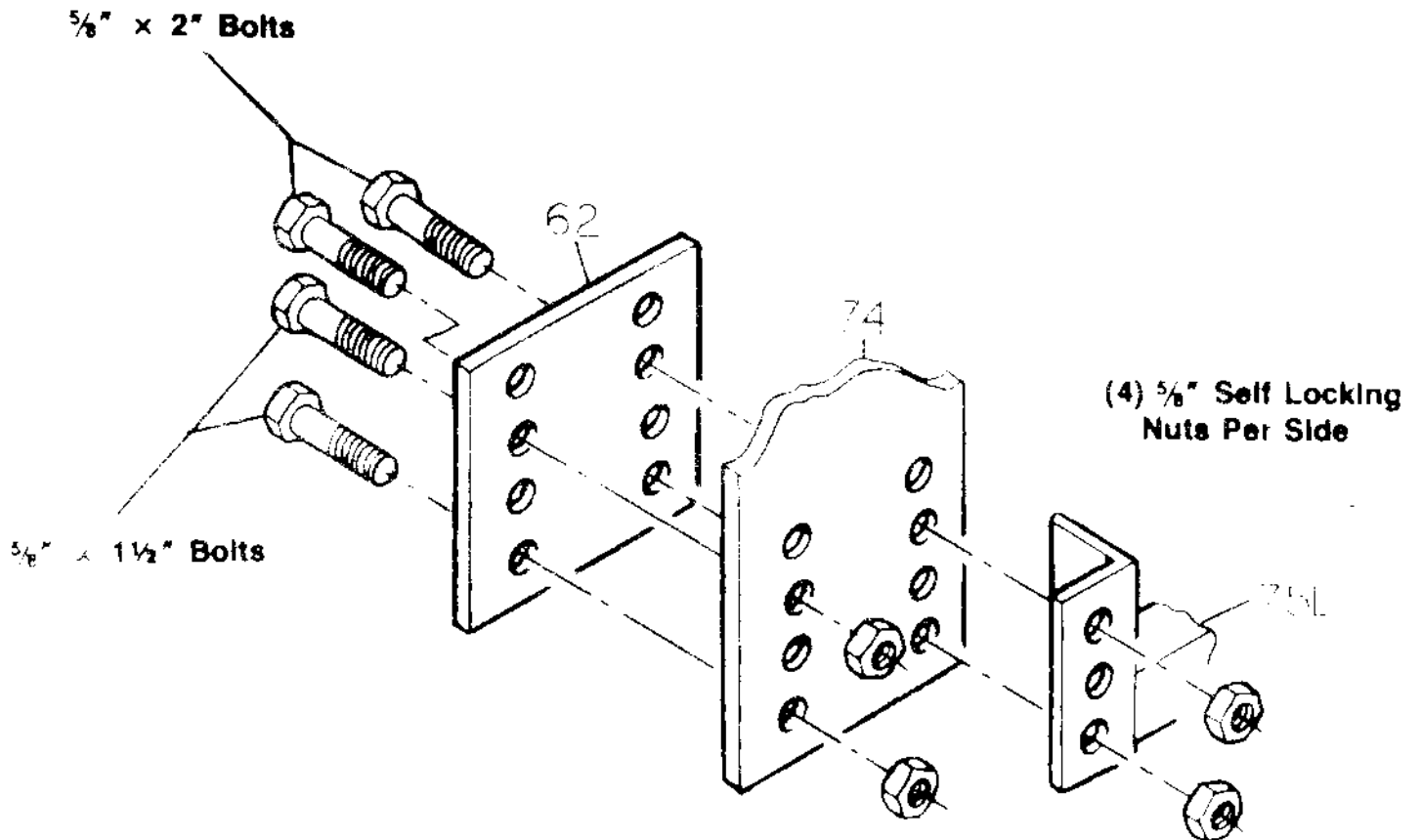


Figure 5

LIFT SYSTEM AND HEADLIGHT
INSTALLATION INSTRUCTIONS

1. Install the AUXILIARY LIGHT BRACKETS (Ref. No. A, Fig. 6) to the LIFT TOWER as shown in Figure 6 using the hex head bolts, nuts, and lock washers provided.
2. Install LIFT ARM (Ref. No. B, Fig. 6) to the top of the LIFT TOWER ASSEMBLY using the 5/8" x 4-1/2" HEX HEAD BOLT (Ref. No. F, Fig. 6) and 5/8" SELF LOCKING NUT (Ref. No. I, Fig. 6) provided.
3. Position the LIFT CYLINDER (Ref. No. D, Fig. 6) in its respective position on the LIFT TOWER and fasten by using the 5/8" x 4" HEX HEAD BOLT (Ref. No. G, Fig. 6) and 5/8" SELF LOCKING NUT (Ref. No. I, Fig. 6) provided. Be sure the hydraulic port is facing forward and install the 90 DEGREE SWIVEL FITTING (Ref. No. E, Fig. 6) facing downward. Fasten the rod end of the cylinder to the LIFT ARM using the 5/8" x 3-1/2" HEX HEAD BOLT (Ref. No. H, Fig. 6) and 5/8" SELF LOCKING NUT (Ref. No. I, Fig. 6) provided.
4. Mount the AUXILIARY HEADLIGHTS (Ref. No. C, Fig. 6) to the AUXILIARY LIGHT BRACKETS as shown in Figure 6. Do not tighten the AUXILIARY HEADLIGHT mounting nut as the positioning of the lights will have to be adjusted once the wiring has been completed.
5. A diagram has been provided in each Light Kit Box to illustrate the proper method of wiring the AUXILIARY HEADLIGHTS to the existing vehicle wiring harness.
6. Be sure to route all wires away from all sharp obstructions and securely position them away from hot or moving parts.
7. Your AUXILIARY HEADLIGHT KIT comes with all of the necessary wiring, connectors and switch.
8. When the wiring of the AUXILIARY HEADLIGHTS has been completed, follow the Head Lamp Aiming instructions also provided in the Auxiliary Light Kit Box.

LIFT SYSTEM AND LIGHT BRACKET INSTALLATION PARTS LIST

REF. NO.	DESCRIPTION	PART NO.	QTY.
A	Auxiliary Light Bracket	LTA2420	2
B	Lift Arm	LFA1400	1
C	Auxiliary Headlights	MSC1513	2
D	Hydraulic Lift/Angle Cylinder	HYD1603	1
E	90 Degree Swivel (3/8" to 1/4")	HYD1619	1
F	5/8 x 4-1/2 Hex Head Bolt	HDW1705	1
G	5/8 x 4 Hex Head Bolt	HDW1706	1
H	5/8 x 3-1/2 Hex Head Bolt	HDW1707	1
I	5/8 Self Locking Nut	HDW1709	3
M	3/8 x 1-1/2 Hex Head Bolt	HDW1719	2
N	3/8 Lock Washer	HDW1718	2
J	3/8 x 1 Hex Head Bolt	HDW1717	2
K	3/8 Self Locking Nut	HDW1720	2
L	Lift Tower Assembly	LTA2400	1

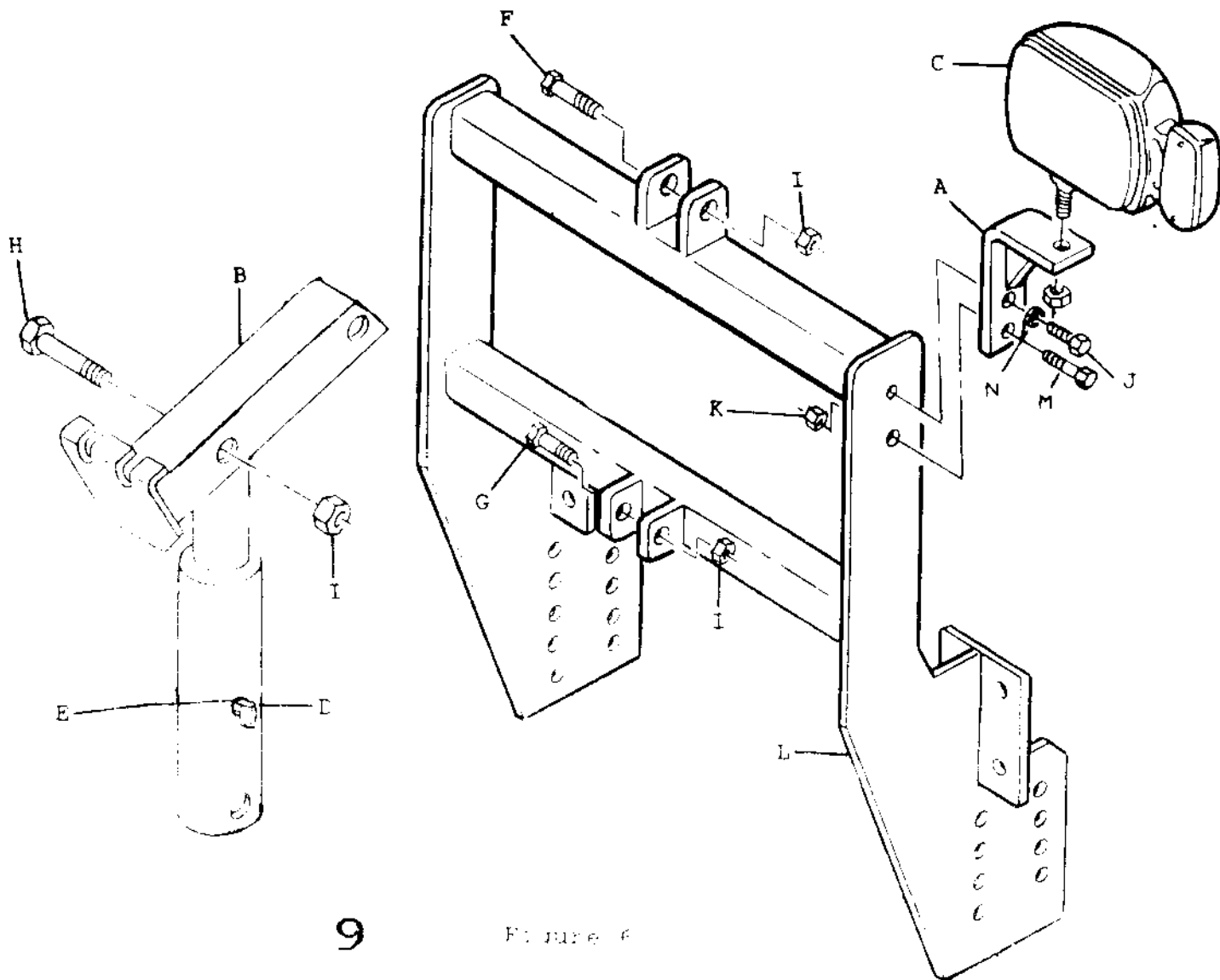


Figure 6

CHEVROLET (FULL-SIZE)
1988 & NEWER
PUMP BRACKET INSTALLATION

REF. NO.	DESCRIPTION	PART NO.	QTY.
A	3/8 x 3/4 Hex Head Bolt	HDW1743	2
B	3/8 Lock Washer	HDW1718	2
C	1/4 Fender Washer	HDW1749	2
D	1/4 Flat Washer	HDW1750	3
E	1/4 X 3/4 Hex Head Bolt	HDW1751	5
F	1/4 x 1 Hex Head Bolt	HDW1723	2
G	1/4 x 2 1/2 Hex Head Bolt(V-PLOW)	HDW1724	2
H	1/4 Self Locking Nut(V-PLOW)	HDW1725	9
	(STRAIGHT)	HDW1725	7
I	Pump Bracket	LTA2424	1
J	Washer Bottle Mount	LTA2425	1
K	Hydraulic Valve Assembly(V-PLOW)	HYD1602	1
L	Hydraulic Pump(V-PLOW)	HYD1600	1
	(STRAIGHT)	STB3006	1
M	Hydraulic Hose - 1/4 x 18(V-PLOW)	HYD1606	2
N	90 Degree Swivel ("O" Ring)	HYD1620	2
O	Battery Bolt/Spacer (Part Not Shown)	HDW1762	1

The pump mounting procedure below is for all Chevrolet trucks 1988 and newer. You will need to refer to Figure 7 (Page 11) to familiarize with the pump mounting location and components.

1. Assemble the pump mount and the washer bottle mount with the indicated hardware (Items I & J Figure 7).
2. Disconnect the wiring to the washer pump and remove the washer bottle.
3. Mount the washer bottle to the washer bottle mounting bracket (Item J Figure 7) using the indicated fasteners.
4. Bolt the pump mounting bracket to the vehicle using the three (3) flat washer bottle mounting bolts as shown in Figure 7.
5. Drill two 9/32" holes in the wheel well using the lower holes in the pump bracket as a guide. Bolt the mount and the wheel well together using the indicated fasteners.
6. Install the power unit (and valve body if this is a V-PLOW installation) as shown (Motor towards the front of the truck) in Figure 7 using the indicated fasteners.
7. Connect the power wire to the washer pump routing the wire carefully so as not to interfere with the hood hinge travel.

8. Refer to the Hydraulic System Section for the remaining installation instructions.

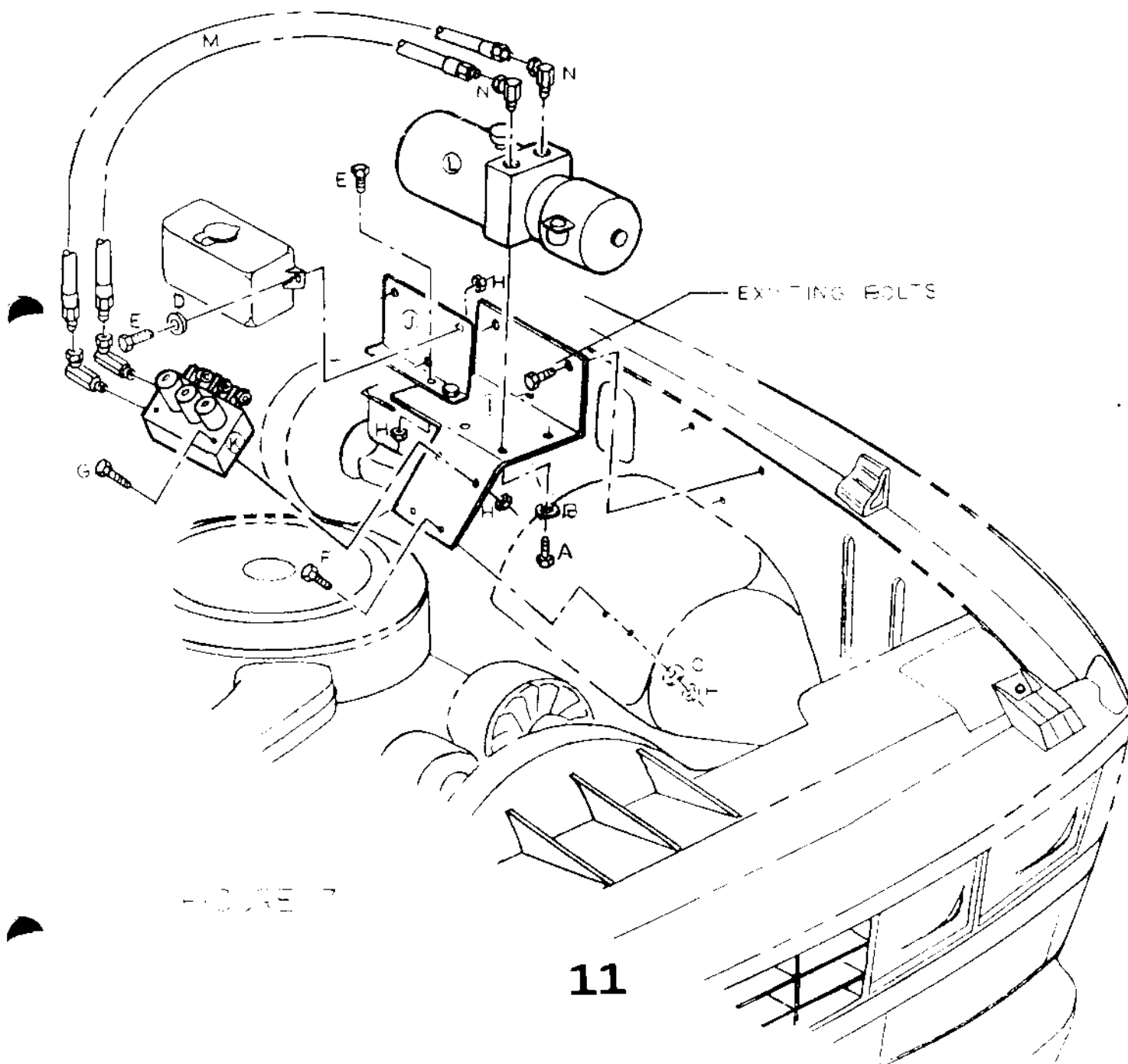


FIGURE 7

**ALTERNATE METHOD OF ATTACHING
THE RAPID-TACH RELEASE CABLE**

REF. NO.	DESCRIPTION	PART NO.	QTY.
A	Rapid-Tach Release Cable	MSC1512	1
B	Cable Clamp	HDW1701	1
C	1/4" x 1" Hex Head Bolt	HDW1723	1
D	1/4" Self Locking Nut	HDW1725	1
E	Auxiliary Light Bracket	LTA2420	1
F	Lift Tower	LTA2400	1

NOTE: On 1988 & Newer Chevrolet, drill and mount rapid-tach release cable in the lift tower side plate.

