

## RT3 Undercarriage for 2019 and After GM 4500/5500/6500 International CV Trucks

Part No. LTA16245B—Serial No. 40000000 and Up

Part No. LTA16255B—Serial No. 40000000 and Up

### Installation Instructions

BOSS Products limited consumer warranty and BOSS Products commercial warranty policies are located at [www.BOSSPlow.com](http://www.BOSSPlow.com).

Patents pending.

## Safety

- Always follow the vehicle manufacturer's recommendations relating to system installation. For recommended vehicle models, refer to the *BOSS Snowplow Application Chart and Selection Guide*.
- Never disable, remove, or relocate any sensors or other components related to the operation of the air bags.
- To comply with federal regulations and to assure a safe vehicle, do not exceed the front gross-axle-weight rating (FGAWR), rear gross-axle-weight rating (RGAWR), and the gross-vehicle-weight rating (GVWR) at any time.
- Due to the variety of equipment that you can install on the vehicle and undercarriage, do not exceed the front gross-axle-weight rating (FGAWR), rear gross-axle-weight rating (RGAWR), and the gross-vehicle-weight rating (GVWR) at any time. This may require weighing the vehicle and adding ballast as necessary. It may also limit the payload capacity of the vehicle.

## Installation

Determine the left and right sides of the machine from the normal operating position.

1. Park the machine on a level surface, shut off the engine, wait for all moving parts to stop, engage the parking brake, and remove the key.
2. If your vehicle is equipped with a front stabilizer bar, remove it.
3. Remove the existing fasteners shown in [Figure 1](#).

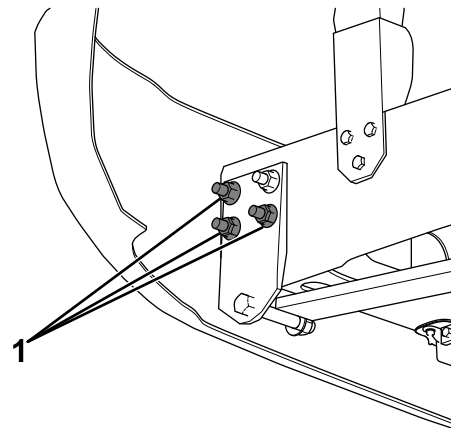
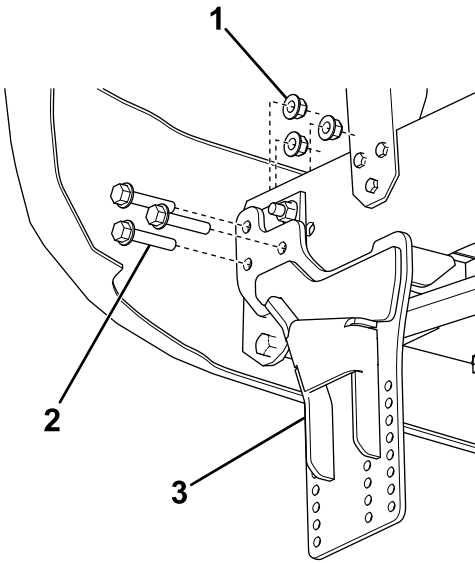


Figure 1

g279365

1. Remove
4. Loosely secure the sideplates to the vehicle frame using 3 bolts (M16) and locknuts ([Figure 2](#)).





**Figure 2**

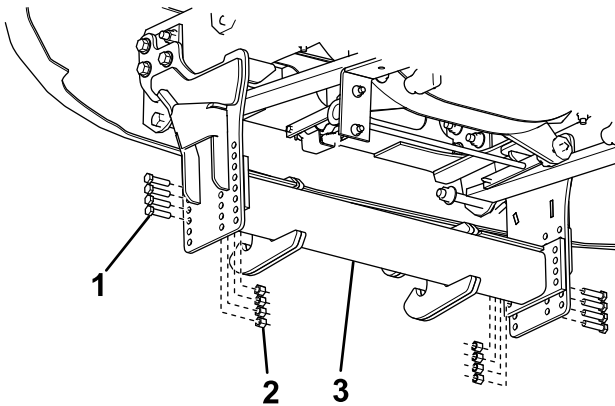
g279366

1. Locknuts (M16)
2. Bolts (M16)
3. Sideplate

5. Loosely secure the pushbeam according to your model:

**Note:** Refer to your plow *Owner's Manual* for the appropriate pushbeam height.

- For model LTA16245B, loosely secure the front of the pushbeam to the sideplates using 8 bolts (1/2 x 2 inches) and locknuts (Figure 3).

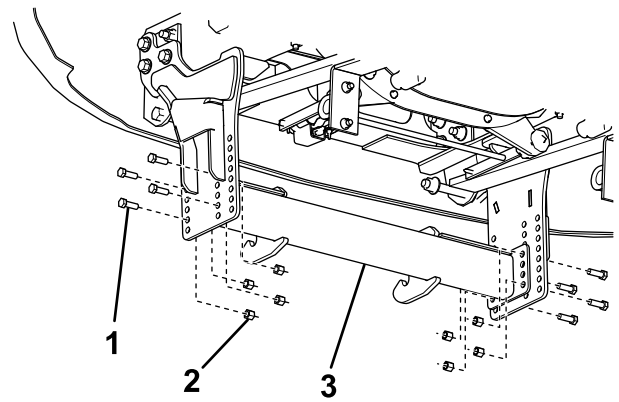


**Figure 3**

g279367

1. Bolt (1/2 x 2 inches)
2. Locknut (1/2 inch)
3. Pushbeam

- For model LTA16255B, loosely secure the pushbeam to the sideplates using 8 bolts (1/2 x 1-1/2 inches) and locknuts (Figure 4).



**Figure 4**

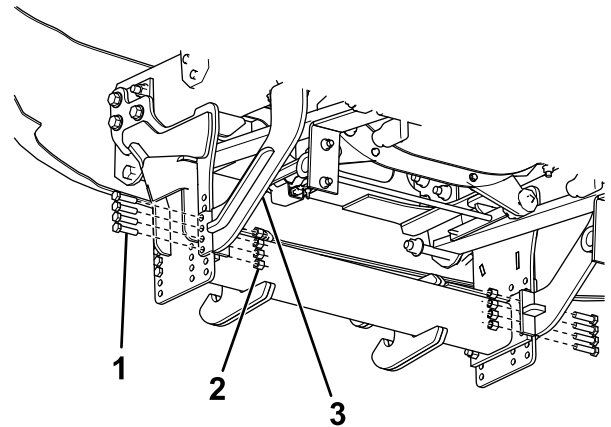
Model LTA16255B

g279368

1. Bolt (1/2 x 1-1/2 inches)
2. Locknut (1/2 inch)
3. Pushbeam

6. Loosely attach the bottom of the angle brackets to the sideplates according to your model:

- For model LTA16245B, loosely secure the bottom of the angle bracket to the rear of the sideplate and pushbeam using 8 bolts (1/2 x 2 inches) and locknuts (Figure 5).



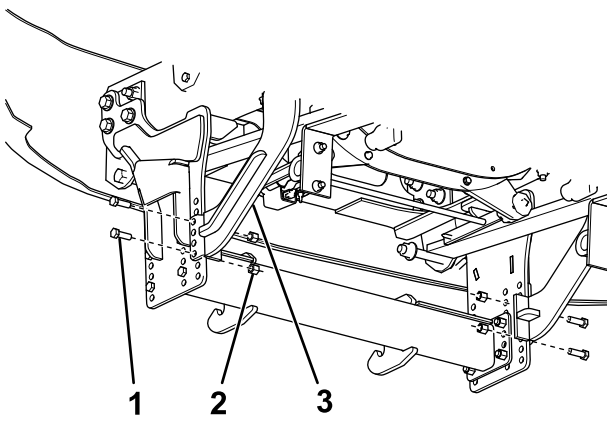
**Figure 5**

Model LTA16245B

g279369

1. Bolt (1/2 x 2 inches)
2. Locknut (1/2 inch)
3. Angle bracket

- For model LTA16255B, loosely secure the bottom of the angle bracket to the rear of the sideplate using 4 bolts (1/2 x 1-1/2 inches) and locknuts (Figure 6).

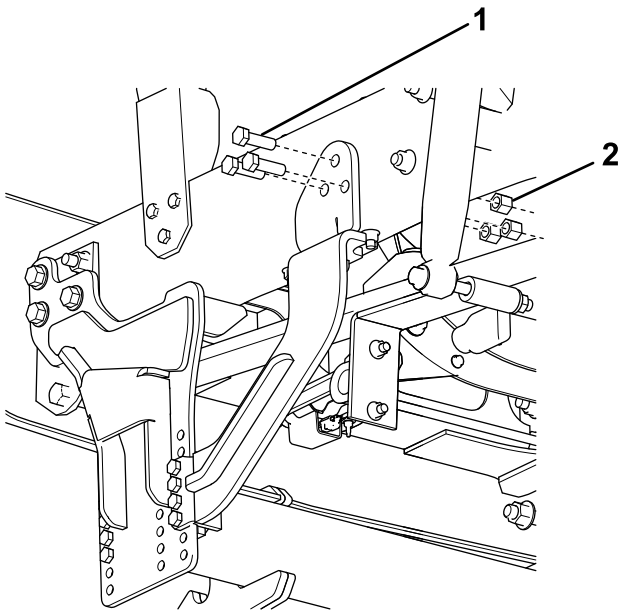


g279370

**Figure 6**  
Model LTA16255B

1. Bolt (1/2 x 1-1/2 inches)
2. Locknut (1/2 inch)
3. Angle bracket

- 
7. Loosely secure the top of the angle brackets to the vehicle frame using 3 bolts (5/8 inch) and locknuts (Figure 7).

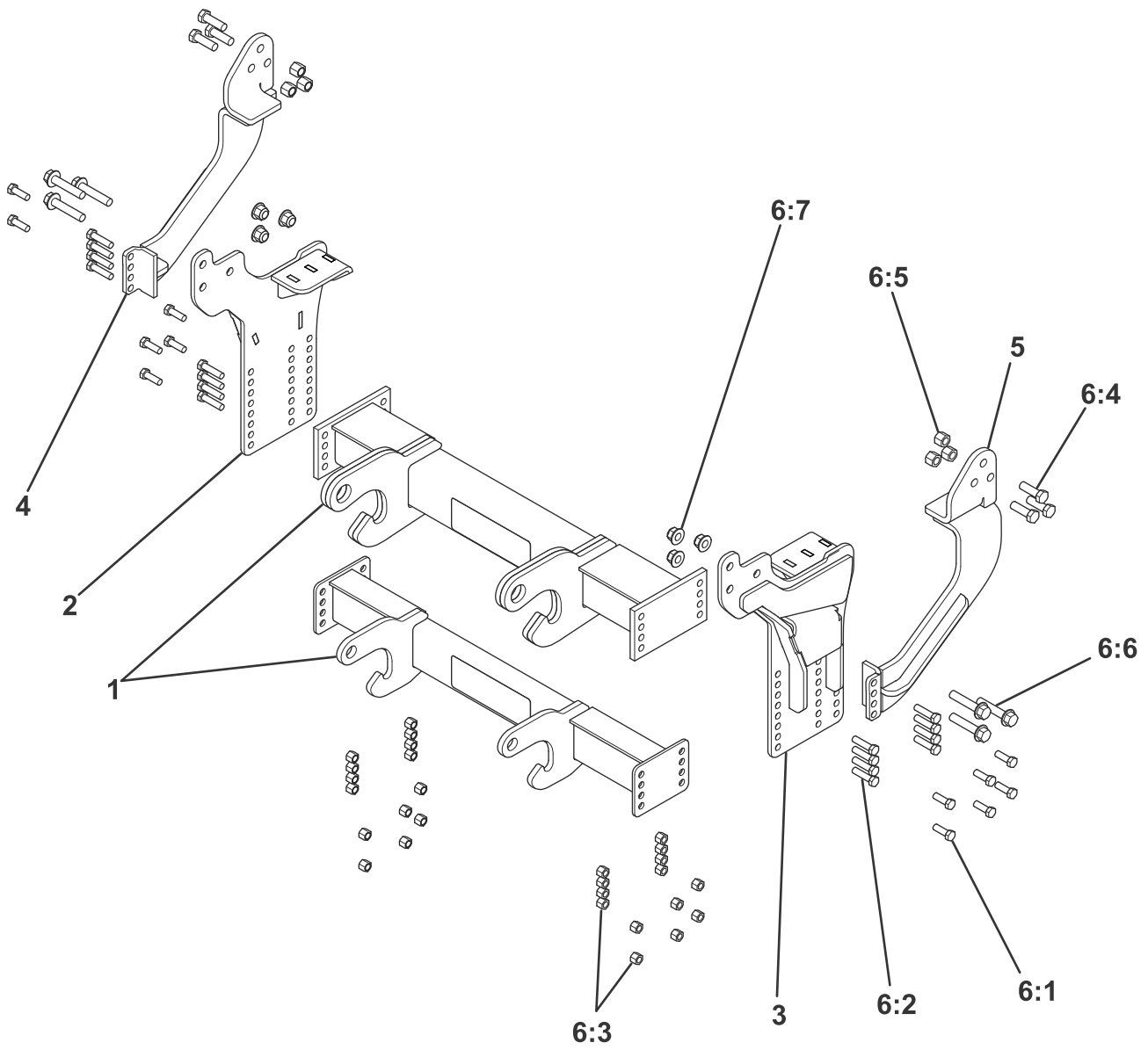


g279371

**Figure 7**

1. Bolt (5/8 inch)
2. Locknut (5/8 inch)

- 
8. Torque all the fasteners to the following specifications:
    - M16 bolts to 257 N·m (190 ft-lb)
    - 1/2-inch bolts to 76 N·m (56 ft-lb)
    - 5/8-inch bolts to 153 N·m (113 ft-lb)



**Parts**

g299563

Ref.	Part Number	Qty.	Description	Ref.	Part Number	Qty.	Description
1	PBA16260-03 (for model LTA16245B)	1	PB ASM, HD, GM 45/55/6500, INTL CV, 19+	6:1	HDW01728	12	HHCS, 1/2-13 X 1-1/2, NC, GR5, YZN
	PBA16291-03 (for model LTA16255B)		PB ASM, GM 45/55/6500, 19+	6:2	HDW01755	16	HHCS, 1/2-13 X 2, GR5, YZN
2	PBA16360-03	1	PBSP, HD, PS, GM 45/55/6500, INTL CV, 19+	6:3	HDW01748	16	NUT, 1/2-13, NYL INS, YZN
3	PBA16355-03	1	PBSP, HD, DR, GM 45/55/6500, INTL CV, 19+	6:4	HDW01731	6	HHCS, 5/8-11 X 2, GR5, YZN
4	LTA16361-03	1	ANG BRKT, RH, GM 45/55/6500, INTL CV, 19+	6:5	HDW05619	6	NUT, 5/8-11, NYL INS, YZN
5	LTA16356-03	1	ANG BRKT, LH, GM 45/55/6500, INTL CV, 19+	6:6	HDW10398	6	HHCS, M16 X 80 MM, 10.9, FLANGE HEAD, YZN
6	HDW16256	1	KIT-FASTENER, GM 45/55/6500, INTL CV, 19+	6:7	HDW10399	6	NUT, NYLOCK, M16, 10.9, FLANGE HEAD, YZN