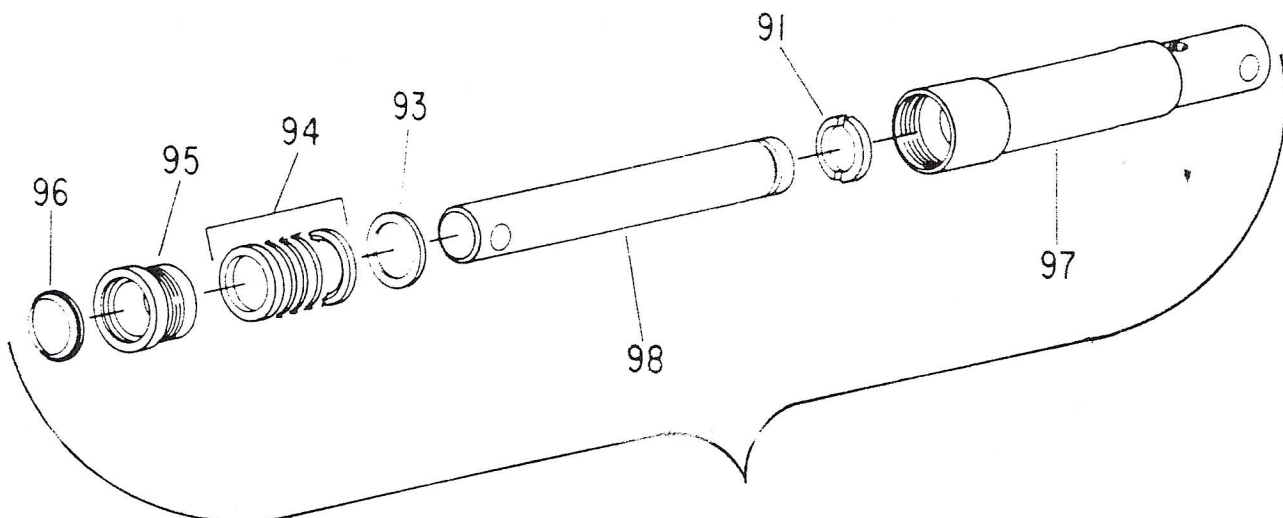
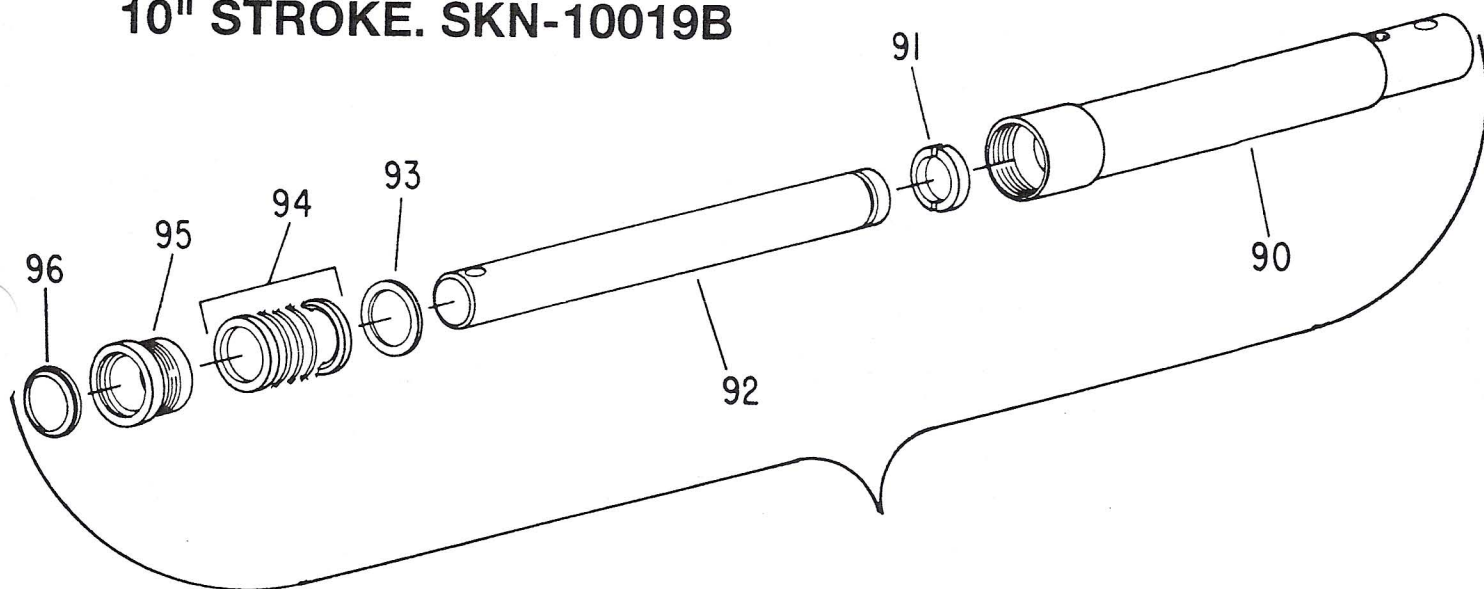


# NORTHMAN LIFT CYLINDER 6" STROKE. SKN-10018B



# NORTHMAN POWER ANGLING CYLINDER 10" STROKE. SKN-10019B



NOTE: THE STOCK NUMBER OF THE CYLINDER ASSEMBLY IS STAMPED ON THE CYLINDER TUBE WELDMENTS. 10018B & 10019B.

Form-331010-03

<u>REF NO:</u>	<u>DESCRIPTION:</u>	<u>PART NO:</u>	<u>WT:</u>
90.	10" CYLINDER TUBE WELDMENT	31619	6
91.	IMPACT STOP RING (Requires two)	31510	xxx
92.	CHROMED PISTON ROD (10" Cylinder)	31613	8
93.	MACHINE BUSHING, 1 1/2" ID, 11GA, P.F.	31512	xxx
94.	FIVE PART "V" PACKING SET	31517	xxx
95.	CAST GLAND	31614B	.50
96.	ROD WIPER, 1 1/2" I.D.	31511	xxx
97.	6" CYLINDER TUBE WELDMENT	31609	5
98.	CHROMED PISTON ROD (6" CYLINDER)	31601	6