

SNOWPLOWS



Model 760LT, 760HD, 800HD & 860HD Snowplows Installation Instructions & Owner's Manual

⚠ CAUTION

See your BLIZZARD® sales outlet/Web site for specific vehicle application recommendations before installation. The Undercarriage Selection Guide has specific vehicle and snowplow requirements.

⚠ CAUTION

Read this document before installing the snowplow.

⚠ CAUTION

Read this document before operating or servicing snowplow.

This manual supersedes all editions with an earlier date.

PREFACE

Congratulations on purchasing the finest straight blade snowplow available! BLIZZARD® straight blades are clearing new trails for innovative design, rugged durability, quality craftsmanship and superior performance. Our innovative products are tested all over the snowbelt.

This manual provides safety, operation and maintenance information for your new BLIZZARD snowplow. To keep your snowplow in good condition, read and understand this manual and follow its recommendations. Failure to do so may affect your warranty coverage.

When service is necessary, your local BLIZZARD distributor knows your snowplow best. Contact your BLIZZARD outlet for maintenance, service or any other assistance you may require.

If you have not already done so, please visit www.blizzardplows.com to register your new BLIZZARD snowplow!



TABLE OF CONTENTS

PREFACE	2	POWER HITCH™ SYSTEM INSTRUCTIONS	30
SAFETY INFORMATION	4	TESTING YOUR SNOWPLOW	31
VEHICLE APPLICATION INFORMATION	7	HEADLAMP AIMING	33
OPERATION	8	MAINTENANCE	34
UNPACKING & INSPECTION	9	TECHNICAL SPECIFICATIONS	35
TORQUE SPECIFICATIONS	10	TROUBLESHOOTING	36
MOLDBOARD & A-FRAME ASSEMBLY	12	PARTS LISTS—ALL MODELS	38
ELECTRICAL & HYDRAULIC SYSTEMS	17	Moldboard Parts	38
General System Schematics	17	A-Frame and Pivot Beam Parts	40
Hydraulic Guide	18	Power Unit Parts	42
Electrical Installation—Snowplow Side	19	Lights, Draw Latch and Control Parts	44
Electrical Schematics—Snowplow Side	20	Harnesses, Accessories and Kits	46
Electrical Installation—Vehicle Side	23		
Electrical Schematics—Vehicle Side.....	26		

SAFETY

SAFETY DEFINITIONS

⚠ WARNING

Indicates a potentially hazardous situation that, if not avoided, could result in death or serious personal injury.

⚠ CAUTION

Indicates a potentially hazardous situation that, if not avoided, may result in minor or moderate injury. It may also be used to alert against unsafe practices.

NOTE: Indicates a situation or action that can lead to damage to your snowplow and vehicle or other property. Other useful information can also be described.

WARNING/CAUTION AND INSTRUCTION LABELS

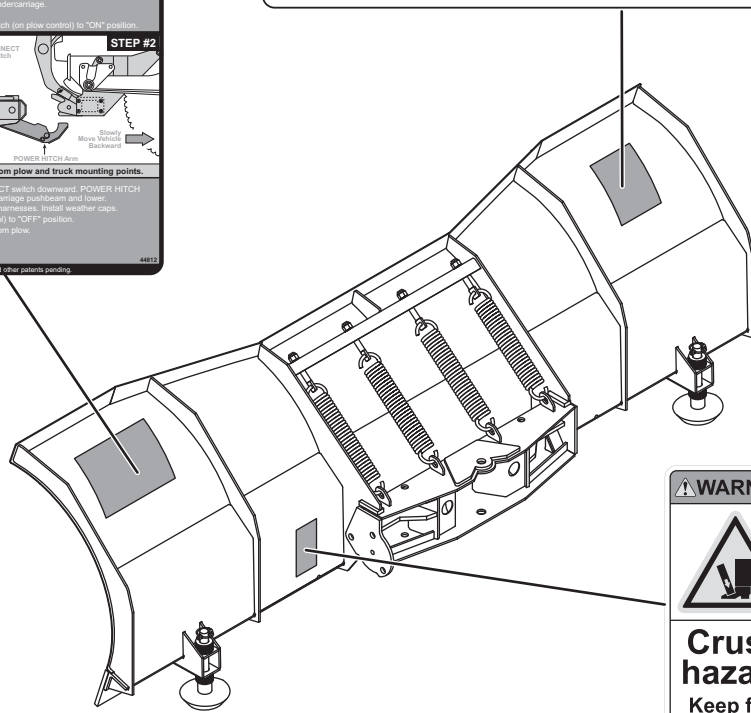
Become familiar with and inform users about the warning and instruction labels on the back of the blade.

NOTE: If labels are missing or cannot be read, see your sales outlet.

MOUNT INSTRUCTIONS		DISMOUNT INSTRUCTIONS	
Read Owner's Manual for Complete Instructions.		Read Owner's Manual for Complete Instructions.	
<p>STEP #1</p> <p>CONNECT/DISCONNECT POWER HITCH SWITCH</p> <p>Pushbeam Receiver Mount Points</p> <p>Adjustable Kickstand</p> <p>A-Frame Mount Bracket</p> <p>POWER HITCH ARM</p> <p>Slowly Move Vehicle Forward</p> <p>⚠ WARNING: Keep fingers away. POWER HITCH arm raises behind undercarriage pushbeam.</p> <ul style="list-style-type: none"> Kickstand must be lowered, with kickstand pin seated in lower hole on pivot beam. Slowly drive vehicle forward until pushbeam receiver mount points contact A-frame mount brackets. Turn POWER HITCH OPERATION switch (on plow control) to "ON" position. Connect plow and vehicle electrical harnesses. Connect weather caps together. 	<p>STEP #1</p> <p>CONNECT/DISCONNECT POWER HITCH SWITCH</p> <p>Adjustable Kickstand</p> <p>POWER HITCH ARM</p> <p>Slowly Move Vehicle Backward</p> <p>⚠ WARNING: Keep fingers away from plow and truck mounting points.</p> <ul style="list-style-type: none"> Raise plow. Lower kickstand until kickstand pin is seated in lower hole on pivot beam. Lower plow on flat, level surface. Turn vehicle ignition off. Remove hitch pins from A-frame and undercarriage. Turn vehicle ignition on. Turn POWER HITCH OPERATION switch (on plow control) to "ON" position. 		
<p>STEP #2</p> <p>A-Frame Latch Lock Pin</p> <p>A-Frame Latch</p> <p>Pushbeam Receiver Mount Points</p> <p>POWER HITCH ARM</p> <p>Slowly Move Vehicle Forward</p> <p>⚠ WARNING: Keep fingers away from plow and truck mounting points.</p> <ul style="list-style-type: none"> Pull A-frame latch lock pin out and lower A-frame latch over draw pin. Push and hold CONNECT/DISCONNECT switch upward. POWER HITCH arm will engage back of pushbeam and pull plow into pushbeam receiver mount points on vehicle. Insert both hitch pins and secure each with hair pin cotter. Lower POWER HITCH arm to relieve tension on A-frame latch. Raise A-frame latch and lock into position with lock pin. Raise plow. Raise kickstand until kickstand pin seats into upper hole on pivot beam. 	<p>STEP #2</p> <p>CONNECT/DISCONNECT POWER HITCH SWITCH</p> <p>Adjustable Kickstand</p> <p>POWER HITCH ARM</p> <p>Slowly Move Vehicle Backward</p> <p>⚠ WARNING: Keep fingers away from plow and truck mounting points.</p> <ul style="list-style-type: none"> Push and hold CONNECT/DISCONNECT switch downward. POWER HITCH arm will disengage from behind undercarriage pushbeam and lower. Disconnect plow and vehicle electrical harnesses. Install weather caps. Turn SYSTEM POWER (on plow control) to "OFF" position. Slowly move vehicle backward away from plow. 		

U.S. Patents 5,638,616; 5,899,007; 6,178,896; 6,276,076; 6,393,737; 6,408,549; 6,412,159; 6,442,877; 6,615,513; Canadian and other patents pending. 4812

<h3>⚠ WARNING</h3> <p>Lower blade when vehicle is parked.</p> <p>Do not exceed GVWR or GAWR including blade and ballast.</p>	
<h3>⚠ CAUTION</h3> <p>Read Owner's Manual before operating or servicing snowplow.</p> <p>Transport speed should not exceed 45 mph (72 km/h). Further reduce speed under adverse travel conditions.</p> <p>Plowing speed should not exceed 10 mph (16 km/h).</p> <p>See your sales outlet/Web site for specific vehicle application recommendations.</p> <p>59900</p>	



<h3>⚠ WARNING</h3> <p>Crush hazard</p> <p>Keep feet clear</p> <p>2025</p>
--

SAFETY

SAFETY PRECAUTIONS

Improper installation and operation could cause personal injury and/or equipment and property damage. Read and understand labels and the Owner's Manual before installing, operating or making adjustments.

⚠ WARNING

Lower blade when vehicle is parked. Temperature changes could change hydraulic pressure, causing the blade to drop unexpectedly or damaging hydraulic components. Failure to do this could result in serious personal injury.

⚠ WARNING

You can die or be seriously injured. Keep hands and feet away from hitch mechanism and snowplow blade when operating the POWER HITCH™ arm. The action of the arm moves the snowplow toward the vehicle and into position for proper attachment.

⚠ WARNING

The driver shall keep bystanders clear of the blade when it is being raised, lowered or angled. Do not stand between the vehicle and the blade or within 8 feet of a moving blade. A moving or falling blade could cause personal injury.

⚠ WARNING



Do not exceed GVWR or GAWR including the blade and ballast. The rating label is found on the driver-side vehicle door cornerpost.

⚠ WARNING

To prevent accidental movement of the blade, always turn the control OFF whenever the snowplow is not in use. The power indicator light will turn OFF.

⚠ WARNING

Remove blade assembly before placing vehicle on hoist.

⚠ CAUTION

Read Owner's Manual before operating or servicing snowplow.

⚠ CAUTION

Transport speed should not exceed 45 mph (72 km/h). Further reduce speed under adverse travel conditions.

⚠ CAUTION

Plowing speed should not exceed 10 mph (16 km/h).

⚠ CAUTION

See your BLIZZARD® outlet for application recommendations.

HYDRAULIC SAFETY

⚠ WARNING



Hydraulic fluid under pressure can cause skin injection injury. If you are injured by hydraulic fluid, get medical attention immediately.

- Always inspect hydraulic components and hoses before using. Replace any damaged or worn parts immediately.
- If you suspect a hose leak, DO NOT use your hand to locate it. Use a piece of cardboard or wood.

FUSES

The snowplow electrical and hydraulic systems contain several blade-style automotive fuses. If a problem should occur and fuse replacement is necessary, the replacement fuse must be of the same type and amperage rating as the original. Installing a fuse with a higher rating can damage the system and could start a fire. Fuse Replacement, including fuse ratings and locations, is located in the Maintenance section of this Owner's Manual.

SAFETY

PERSONAL SAFETY

- Remove ignition key and put the vehicle in park or in gear to prevent others from starting the vehicle during installation or service.
- Wear only snug-fitting clothing while working on your vehicle or snowplow.
- Do not wear jewelry or a necktie, and secure long hair.
- Wear safety goggles to protect your eyes from battery acid, gasoline, dirt and dust.
- Avoid touching hot surfaces such as the engine, radiator, hoses and exhaust pipes.
- Always have a fire extinguisher handy, rated BC for flammable liquids and electrical fires.

FIRE AND EXPLOSION

⚠ WARNING

Gasoline is highly flammable and gasoline vapor is explosive. Never smoke while working on vehicle. Keep all open flames away from gasoline tank and lines. Wipe up any spilled gasoline immediately.

Be careful when using gasoline. Do not use gasoline to clean parts. Store only in approved containers away from sources of heat or flame.

CELL PHONES

A driver's first responsibility is the safe operation of the vehicle. The most important thing you can do to prevent a crash is to avoid distractions and pay attention to the road. Wait until it is safe to operate Mobile Communication equipment such as cell phones, text messaging devices, pagers or two-way radios.

VENTILATION

⚠ WARNING

Vehicle exhaust contains lethal fumes. Breathing these fumes, even in low concentrations, can cause death. Never operate a vehicle in an enclosed area without venting exhaust to the outside.

BATTERY SAFETY

⚠ CAUTION

Batteries normally produce explosive gases, which can cause personal injury. Therefore, do not allow flames, sparks or lit tobacco to come near the battery. When charging or working near a battery, always cover your face and protect your eyes, and also provide ventilation.

- Batteries contain sulfuric acid, which burns skin, eyes and clothing.
- Disconnect the battery before removing or replacing any electrical components.

NOISE

Airborne noise emission during use is below 70 dB(A) for the snowplow operator.

VIBRATION

Operating snowplow vibration does not exceed 2.5 m/s² to the hand-arm or 0.5 m/s² to the whole body.

VEHICLE APPLICATION INFORMATION

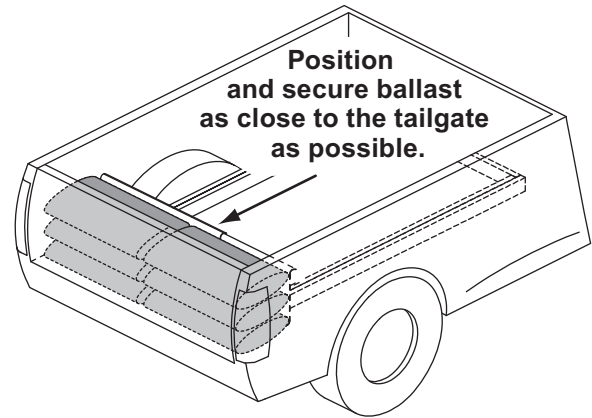
⚠ CAUTION

See your BLIZZARD® outlet for specific vehicle application recommendations before installation. The Undercarriage Selection Guide has specific vehicle and snowplow requirements.

Vehicle application recommendations are based on the following:

- The vehicle with the snowplow installed must comply with applicable Federal Motor Vehicle Safety Standards (FMVSS).
- The vehicle with the snowplow installed must comply with the vehicle manufacturer's stated gross vehicle and axle weight ratings (found on the driver-side door cornerpost of the vehicle) and the front and rear weight distribution ratio. In some cases, rear ballast may be required to comply with these requirements.
- BLIZZARD Undercarriage Selection Guide is based on available vehicle capacity for snowplow equipment on a representative vehicle equipped with options commonly used for snowplowing and with 300 lb of front seat occupant weight.
- Weights of front seat occupants can be adjusted above 300 lb, but vehicle with snowplow must not exceed vehicle GVWR or GAWR.
- In some cases there may be additional limitations and requirements.
- Installation, modification and addition of accessories must comply with published BLIZZARD recommendations and instructions. Available capacity decreases as the vehicle is loaded with cargo or other truck equipment or snowplow accessories are installed.
- If there is uncertainty as to whether available capacity exists, the actual vehicle as configured must be weighed.

BALLAST REQUIREMENTS



Ballast (additional weight) is an important part of qualifying vehicles for snowplow eligibility. Rear ballast must be used when necessary to remain in compliance with axle ratings and ratios as specified by the vehicle manufacturer.

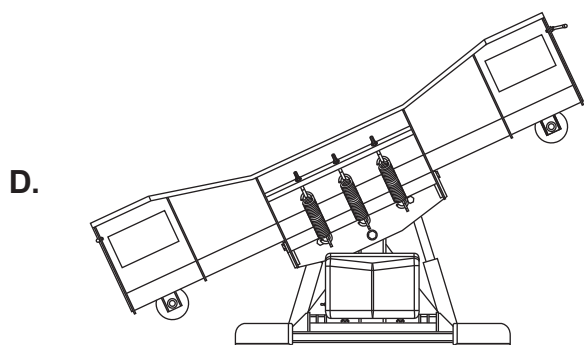
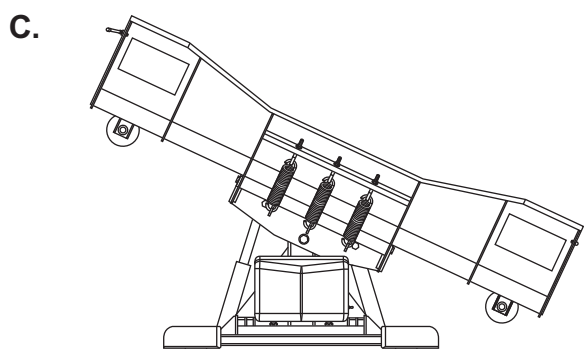
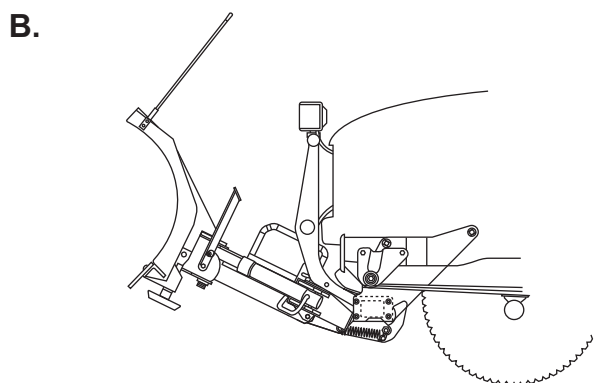
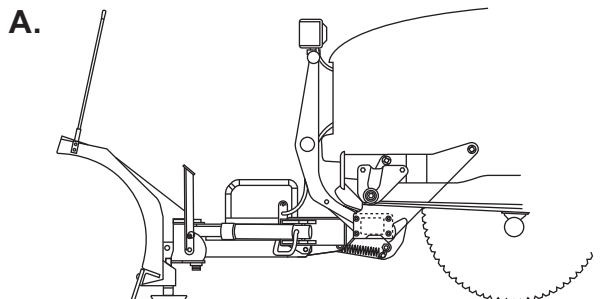
If ballast is required, it is important that it be secured properly behind the rear axle. A ballast retainer kit is available from your BLIZZARD outlet, PN 62849.

NOTE: The ballast retainer kit is for snowplow vehicles requiring ballast. See your BLIZZARD outlet for the correct amount of ballast required. Include the weight of the retainer as part of the ballast requirement. Sand bags are recommended for use as ballast.

NOTE: Ballast recommended and its weight calculations assume the entire width of the bed is filled as close to tailgate as possible.

OPERATION

Your snowplow is the most advanced and versatile straight blade on the market. The easy-to-use controls allow you to automatically adjust the snowplow blade into an infinite number of plowing positions. Review the illustrations below for instruction on maneuvering your snowplow.



A. Lowered or Float Position

Pushing the joystick forward, toward the "Lower/Float" designation on the label, or pushing the D button on the touchpad will lower your straight blade to the ground. Pushing and momentarily holding the control in this position will allow the snowplow to "float," or follow the contour of the ground when moving forward or backward.

B. Raised Position

Pulling the joystick back, toward the "Raise" designation on the label, or pushing the U button on the touchpad, will lift your straight blade off of the ground. To stop raising the snowplow, simply return the joystick to its neutral (center) position or release the touchpad button. The snowplow has reached its maximum raised position when the blade stops lifting.

C. Angled Right Position

To angle your straight blade to the right, position the joystick toward the "R" on the label or push the R button on the touchpad. To stop angling the snowplow, return the joystick to its neutral (center) position or release the touchpad button. The snowplow has reached its maximum angled position when the blade stops moving to the right side.

D. Angled Left Position

To angle your straight blade to the left, position the joystick toward the "L" on the label or push the L button on the touchpad. To stop angling the snowplow, return the joystick to its neutral (center) position or release the touchpad button. The snowplow has reached its maximum angled position when the blade stops moving to the left side.

NOTE: To prevent premature failure of the power contactor (solenoid), return the joystick to its neutral (center) position, or release the touchpad button, immediately after the blade reaches the limit of any position. Continuing to hold the control after the blade has reached the limit of movement in any position will reduce the life of the solenoid.

UNPACKING & INSPECTION

Your BLIZZARD® straight blade has been packaged to withstand transit and weather related damage. Fully inspect all components upon receipt of your snowplow. In the event of shipping damage or missing parts, immediately contact Customer Support at 1-888-680-8600.

Begin unpacking and inspection in the following order:

1. Remove the shipping document from the end panel of the pallet wrap. Retain all documentation for your records.
2. All wood framing and polyethylene material should be removed from the pallet for easy access to the snowplow.
3. Due to the odd-shaped components and size of several assembly parts, various cable ties and corrugated material are used for scratch resistance and package orientation. Please remove these items prior to assembly.
4. Place the main blade assembly on a flat, level surface.

Once you have inspected all parts and removed all packaging materials, your snowplow is ready to be fully assembled.

Retain this information for your records.

Date of Purchase: _____

Dealer/Distributor: _____

Dealer Phone Number: _____

Snowplow Serial Number: _____

Hydraulic Pump Serial Number: _____

TORQUE SPECIFICATIONS

TORQUE CHART

⚠ CAUTION

Read instructions before assembling. Fasteners should be finger tight until instructed to tighten according to the torque chart. Use standard methods and practices when attaching snowplow including proper personal protective safety equipment.



Grade Identification for J429–Grade 5 Bolt



Grade Identification for J429–Grade 8 Bolt

SAE J429 Grade 5 Torque Values				SAE J429 Grade 8 Torque Values			
Nominal Thread Size	Clamp Loads (lb)	Tightening Torque		Nominal Thread Size	Clamp Loads (lb)	Tightening Torque	
		"Lubricated"	"Dry"			"Lubricated"	"Dry"
1/4-20	2,000	6 ft-lb	8 ft-lb	1/4-20	2,850	9 ft-lb	12 ft-lb
5/16-18	3,350	13 ft-lb	18 ft-lb	5/16-18	4,700	18 ft-lb	25 ft-lb
3/8-16	4,950	23 ft-lb	31 ft-lb	3/8-16	6,950	32 ft-lb	44 ft-lb
7/16-14	6,800	37 ft-lb	50 ft-lb	7/16-14	9,600	53 ft-lb	70 ft-lb
1/2-13	9,050	57 ft-lb	75 ft-lb	1/2-13	12,800	80 ft-lb	107 ft-lb
9/16-12	11,600	82 ft-lb	109 ft-lb	9/16-12	16,400	115 ft-lb	154 ft-lb
5/8-11	14,500	113 ft-lb	151 ft-lb	5/8-11	20,300	159 ft-lb	211 ft-lb
3/4-10	21,300	200 ft-lb	266 ft-lb	3/4-10	30,100	282 ft-lb	376 ft-lb
7/8-9	29,435	321 ft-lb	430 ft-lb	7/8-9	41,550	454 ft-lb	606 ft-lb
1-8	38,600	482 ft-lb	640 ft-lb	1-8	54,540	680 ft-lb	900 ft-lb



Grade Identification for Metric–Grade 8.8 Bolt



Grade Identification for Metric–Grade 10.9 Bolt

Metric Class 8.8 Torque Values				Metric Class 10.9 Torque Values			
Diameter (mm)	Clamp Loads (lb)	Tightening Torque		Diameter (mm)	Clamp Loads (lb)	Tightening Torque	
		"Lubricated"	"Dry"			"Lubricated"	"Dry"
5	1,389	3 ft-lb	5 ft-lb	5	1,987	5 ft-lb	7 ft-lb
6	1,965	6 ft-lb	8 ft-lb	6	2,812	8 ft-lb	11 ft-lb
7	2,826	10 ft-lb	13 ft-lb	7	4,044	14 ft-lb	19 ft-lb
8	3,579	14 ft-lb	19 ft-lb	8	5,121	20 ft-lb	27 ft-lb
10	5,672	28 ft-lb	37 ft-lb	10	8,116	40 ft-lb	53 ft-lb
12	8,243	49 ft-lb	65 ft-lb	12	11,796	70 ft-lb	92 ft-lb
14	11,246	77 ft-lb	103 ft-lb	14	16,092	111 ft-lb	148 ft-lb
16	15,882	125 ft-lb	167 ft-lb	16	21,970	173 ft-lb	231 ft-lb
18	19,423	172 ft-lb	229 ft-lb	18	26,868	238 ft-lb	317 ft-lb
20	24,784	244 ft-lb	325 ft-lb	20	34,284	338 ft-lb	450 ft-lb

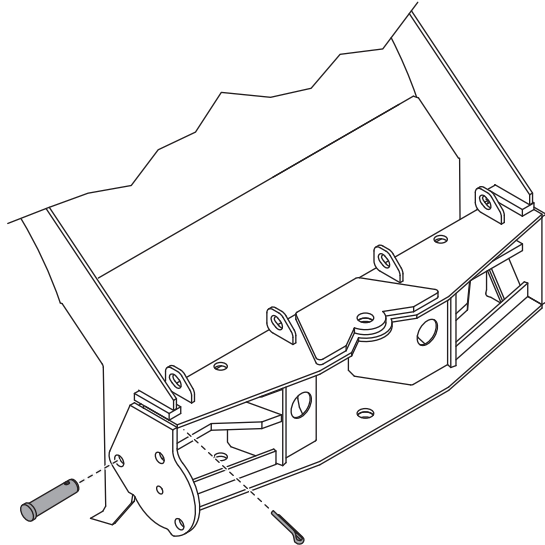
TORQUE SPECIFICATIONS

37° JIC Flare Torque Values			
Turns	Size	ft-lb min-max	Assembly Steps
N/A	-02	6-7	<ol style="list-style-type: none"> 1. Make sure the tubing and threads are clean. 2. Lubricate the threads with 10W hydraulic fluid. 3. Hand tighten the nut/sleeve to approximately 30 in-lb. 4. Make alignment marks on the nut and fitting. 5. Tighten to turn or torque specification. 6. When fully tightened, make a second set of alignment marks at the fully tightened position. <p>NOTE: Torque values specified are for threads lubricated with 10W hydraulic fluid. Overtightening will reduce the clamping force resulting in loss of seal and reduction of flow.</p>
N/A	-03	8-9	
2	-04	11-12	
2	-05	14-15	
1-1/2	-06	18-20	
1-1/2	-08	36-39	
1-1/2	-10	57-63	
1-1/4	-12	79-88	
1	-14	94-103	
1	-16	108-113	
1	-20	127-133	
1	-24	158-167	
1	-32	245-258	

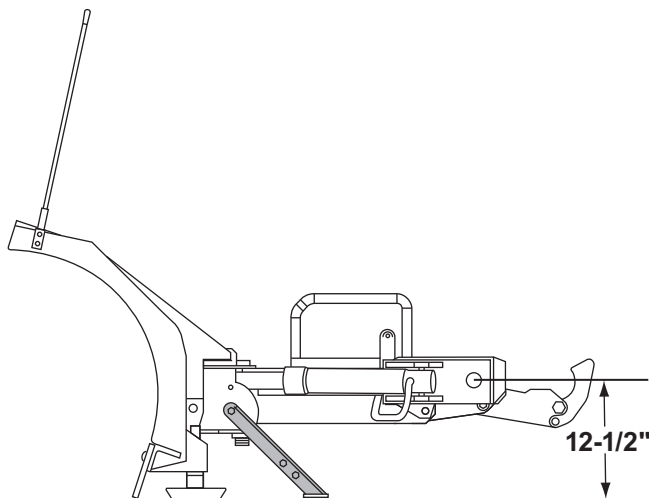
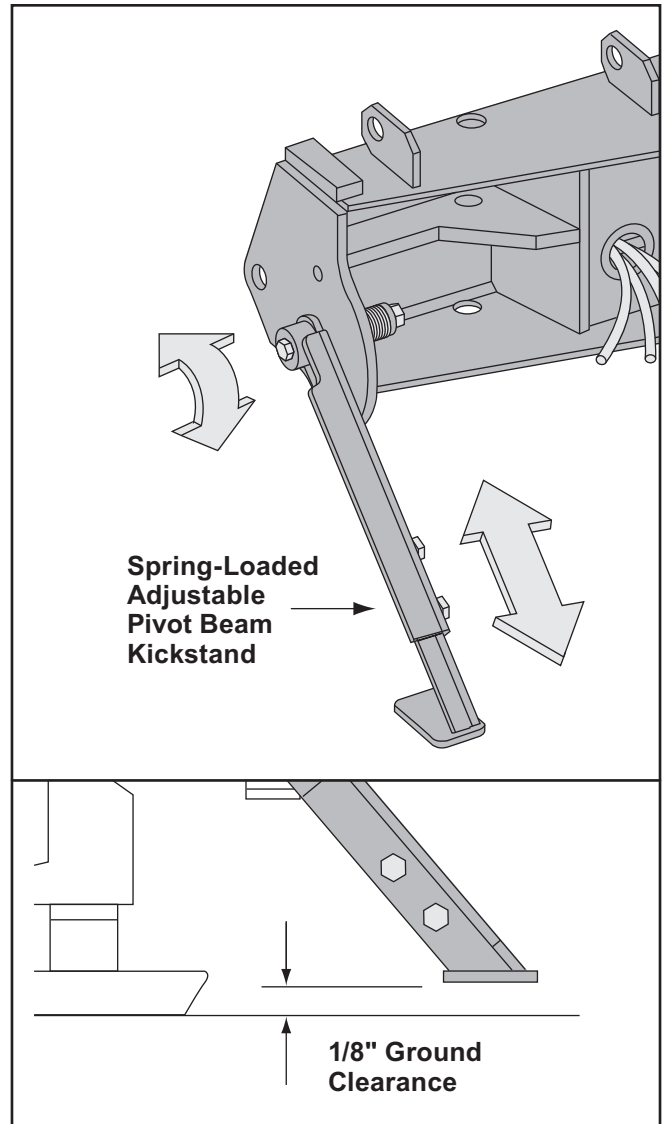
O-Ring Boss Torque Values		
Size	ft-lb min-max	Assembly Steps
-02	6-7	<ol style="list-style-type: none"> 1. Verify that the port, O-ring, sealing surfaces and threads are clean and free of damage. 2. Lubricate the threads and the O-ring with 10W hydraulic fluid. 3. For an adjustable ORB, completely back off the locknut and washer. 4. Hand tighten the fitting until it contacts the port spotface. Point the elbow or tee in the desired direction and hold. 5. Torque to specification. <p>NOTE: Torque values specified are for threads lubricated with 10W hydraulic fluid.</p>
-03	8-10	
-04	13-15	
-05	17-21	
-06	22-25	
-08	40-43	
-10	43-57	
-12	68-75	
-14	90-99	
-16	112-123	
-20	146-200	
-24	154-215	
-32	218-290	

MOLDBOARD & A-FRAME ASSEMBLY

1. Position the pivot beam and A-frame near the connecting points at the rear of the blade between the two center support ribs. Insert one 3/4" x 3" clevis pin through each mounting hole and secure with 1/4" x 1-1/2" cotter pin.



2. Mount the kickstand to the end of the pivot beam (driver's side) using the 1/2" x 4-1/2" cap screw provided. The spring, bushing and locknut are located on the inside of the pivot beam. Review the diagrams below and to the right. To pivot the kickstand, pull the spring-loaded leg out and rotate it until the pin locks into place. Adjust the foot on the stand arm so that the foot is 1/8" from the ground when the A-frame is level and the A-frame mount points are 12-1/2" from the ground. Tighten both of the locknuts on the kickstand.



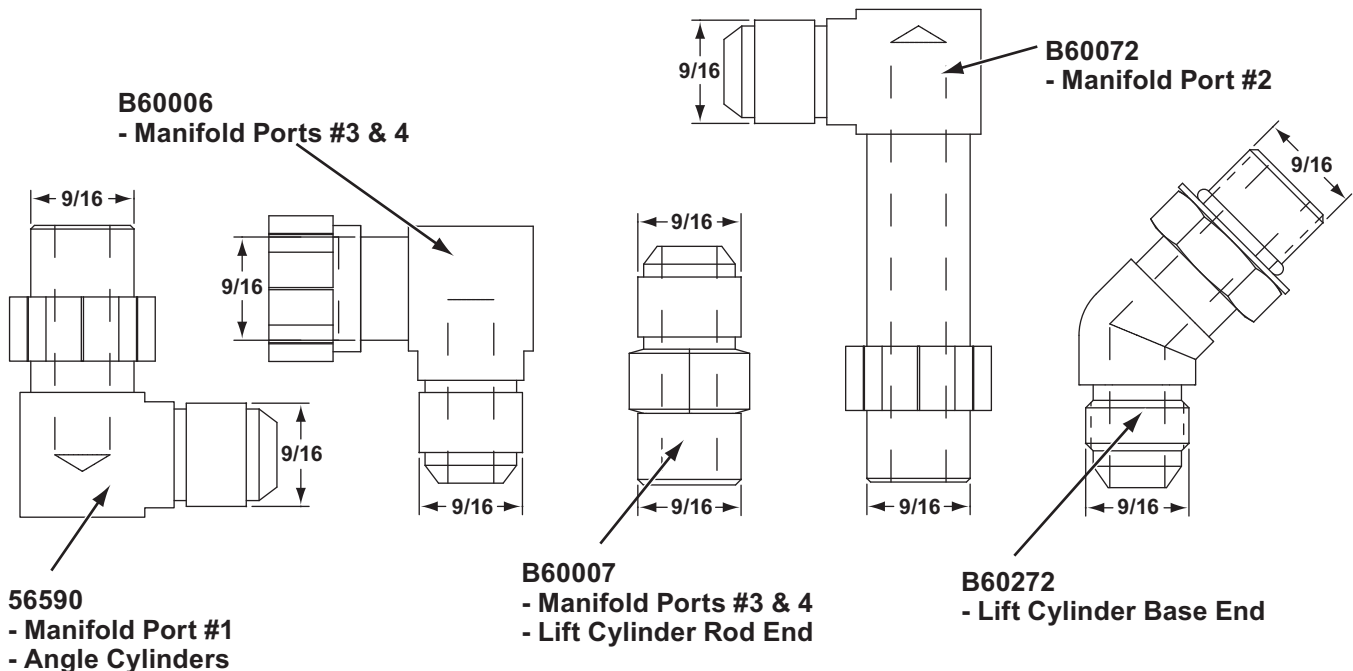
MOLDBOARD & A-FRAME ASSEMBLY

- Position each angle cylinder with the rod end of the cylinder in the pivot beam and the hydraulic hose port facing away from the A-frame. Secure the cylinder to the pivot beam with a 3/4" x 5" clevis pin (**95739**) and a 1/4" x 1-1/2" cotter pin (**B61357**). Extend each cylinder rod until the cylinder base mounting hole aligns with the hole on the A-frame angle cylinder bracket. Insert another clevis pin and secure it with a cotter pin.
- Remove the dust cap from both of the hydraulic angle cylinder ports and attach one 9/16" 90° adjustable elbow ORB adapter to each port. Each adapter should be angled toward the top of the moldboard. Connect one 3/8" x 24" hydraulic hose (**B60091**) to each angle cylinder adapter. Be careful not to overtighten the hose connections. Route both hoses over the TOP of each cylinder. This will prevent them from hanging or being pinched. Tighten fittings and hoses per torque chart.

- Remove the plastic dust caps from the hydraulic lift cylinder ports. Attach one 9/16" 45° adjustable elbow ORB adapter (**B60272**) to the driver-side port (base end) and one 9/16" x 9/16" male ORB connector adapter (**B60007**) to the passenger-side port (rod end). Once the adapters have been installed on the cylinder, connect the hydraulic hoses. Tighten fittings and hoses per torque chart.

NOTE: Position the 45° fitting in the cylinder port so that the hoses install directly in the center of the A-frame access holes. A hose installed too close to the edge of the opening may work itself free with the operation of the lift cylinder and/or movement of the snowplow.

The 45° adapter receives a 3/8" x 17" hydraulic hose (**B60273**). Connect the 45° angle on the hose to the hydraulic adapter on the cylinder. The male connector adapter receives a 3/8" x 15" hydraulic hose (**B60274**). Connect the 45° end of the hose to the hydraulic adapter on the cylinder. Both hoses should be routed through the triangular openings in the A-frame. Tighten fittings and hoses per torque chart.

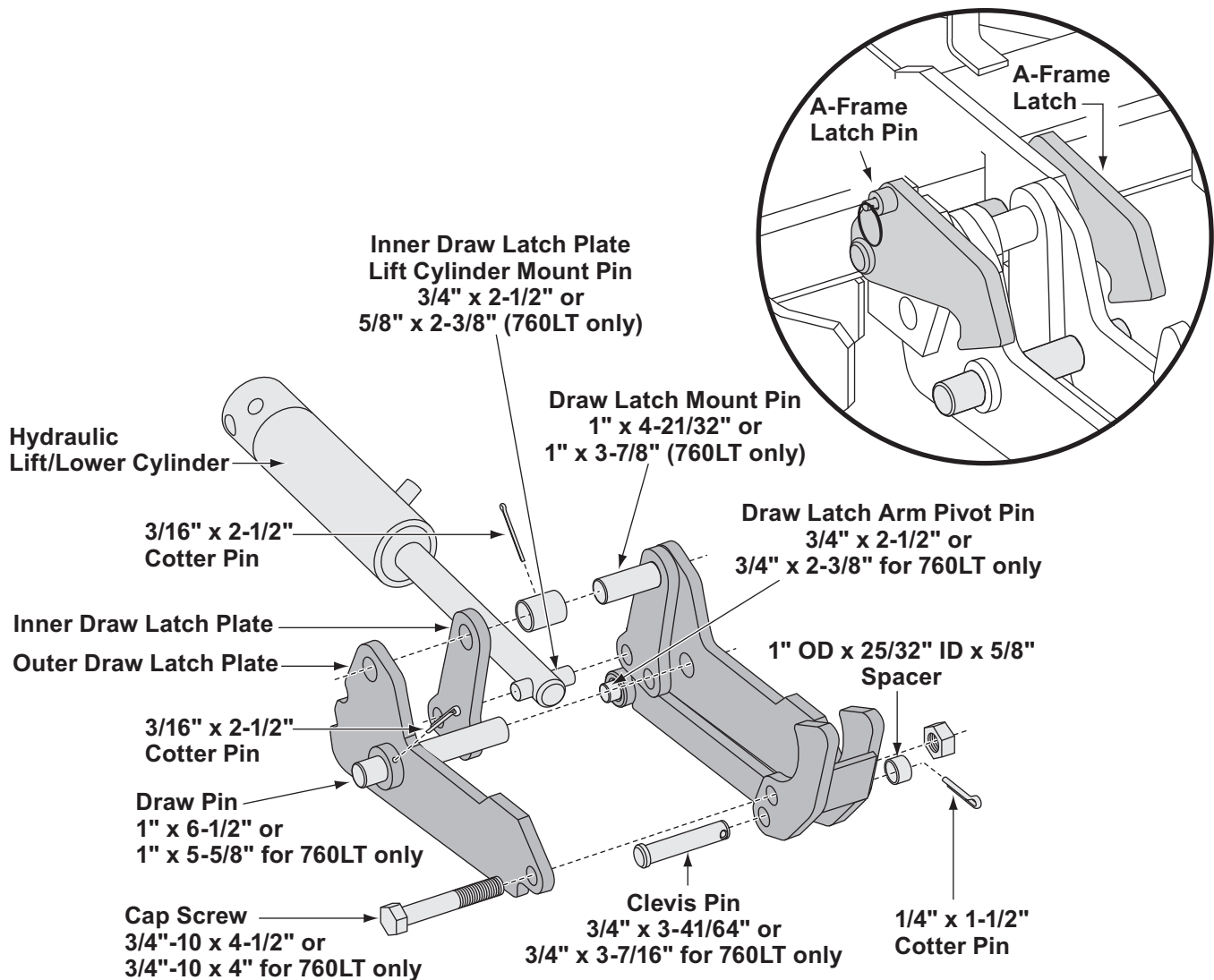


MOLDBOARD & A-FRAME ASSEMBLY

6. Remove the draw latch mount pin, spacer and cotter pin from the draw latch assembly. By removing this pin, the inner draw latch plates can swing free. Remove the inner draw latch plate lift cylinder mount pin. Position the plates on either side of the lift/lower cylinder rod and insert the pin through the plates and cylinder rod. With the cylinder connected to the inner draw latch plates, rotate the draw latch assembly toward the draw latch mount holes on the A-frame. Align the holes in the outer draw latch plate with those of the inner draw latch plates and the A-frame.

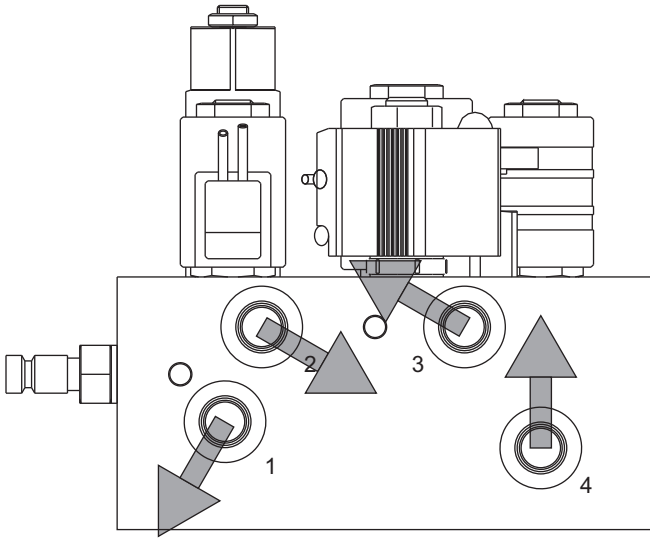
NOTE: The A-frame latch, located at the rear/center of the A-frame, should be raised up to insert the draw latch mount pin. Pull the A-frame latch pull pin out and rotate the latch counterclockwise if it is locked into position.

Secure the assembly to the A-frame by replacing the draw latch mount pin, spacer and cotter pin. Reset the A-frame latch so the A-frame latch pull pin locks into place.



MOLDBOARD & A-FRAME ASSEMBLY

- Assemble the manifold. The manifold, pump and coil harness have been connected at the factory; however, the manifold contains several components that you will need to install prior to securing the assembly to the A-frame. Each of the hose ports on the manifold is covered with stretch wrap. Remove the wrap and install the appropriate fitting in its respective port. Tighten fittings and hoses per torque chart.



NOTE: The arrows shown on the manifold illustration indicate the direction the 90° adapters should be positioned to receive the hydraulic hoses.

NOTE: DO NOT let any foreign objects enter into the open ports. The valves can become contaminated and greatly hinder the snowplow's performance. Torque to proper specifications.

NOTE: All ports are identified by a stamped number on the manifold. The numbers also identify the hydraulic functions, which can be referenced on the label under the hydraulic pump and manifold cover.

- Align the mount holes in the pump with the holes in the hinged bracket, located on the A-frame.

NOTE: Before mounting the pump, angle the hinged bracket as needed and tighten the bracket hardware to lock it in place.

Secure with 3/8" x 3/4" cap screw and 3/8" flat washer through the top mount hole in the bracket and into the pump. Insert 3/8" x 1-3/4" threaded stud with 3/8" locknut through the bottom mount hole in the bracket and into the pump. The threaded stud should bottom out in the pump.

NOTE: When installing the manifold between the mount brackets on the A-frame, hold the manifold at the sides of the block. Never handle the manifold by the coils. Doing so can cause a solenoid cartridge to bend, causing the cartridge to stick when activated.

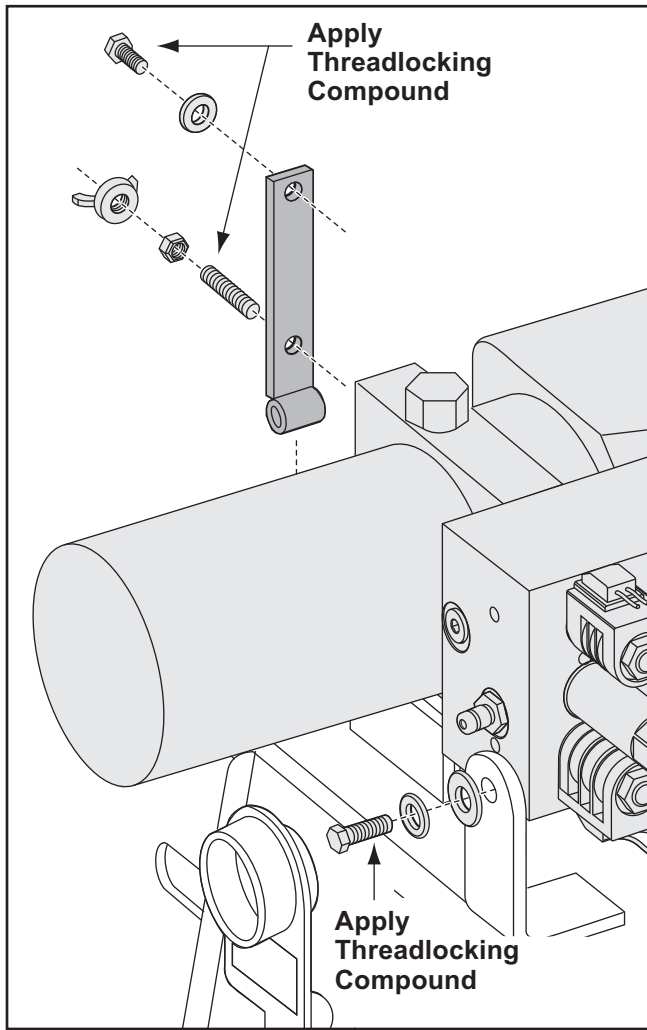
NOTE: A medium-strength threadlocking compound should be used on both of the pump mount fasteners.

- Connect the hydraulic hoses to their respective adapters on the manifold. Hose PN B60091 Ports #1 and #2, Hose PN B60273 Port #3 and Hose PN B60274 Port #4. Tighten hoses per torque chart.

NOTE: Both lift cylinder hoses should be routed through the triangular openings in the A-frame. Position these hoses over the A-frame angle and to their respective manifold ports.

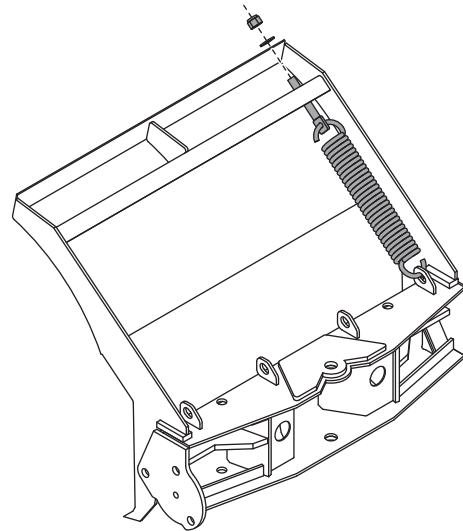
MOLDBOARD & A-FRAME ASSEMBLY

10. Secure the manifold to the A-frame. Remove the washers, split lock washers and cap screws from the manifold and align the mount holes with the A-frame brackets. Properly replace and tighten all hardware.

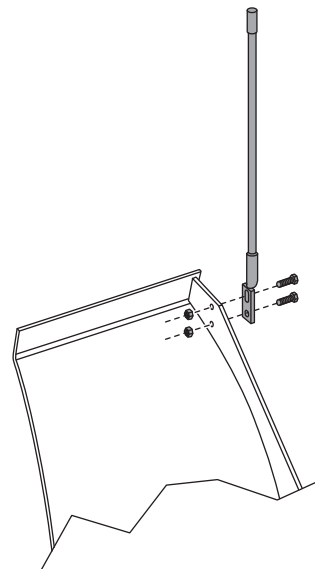


NOTE: A medium-strength threadlocking compound should be used to secure the manifold mount fasteners.

11. Hook each extension spring to the receiving holes on the pivot beam and attach the opposite end of the spring to its respective spade bolts. Install the spade bolts through the extension spring mounting angle on the top rear of the blade. Secure each spade bolt by placing one 5/8" flat washer on the bolt and thread one 5/8" locknut. Tighten each locknut until a piece of paper can pass between the third and fourth coils on the spring.

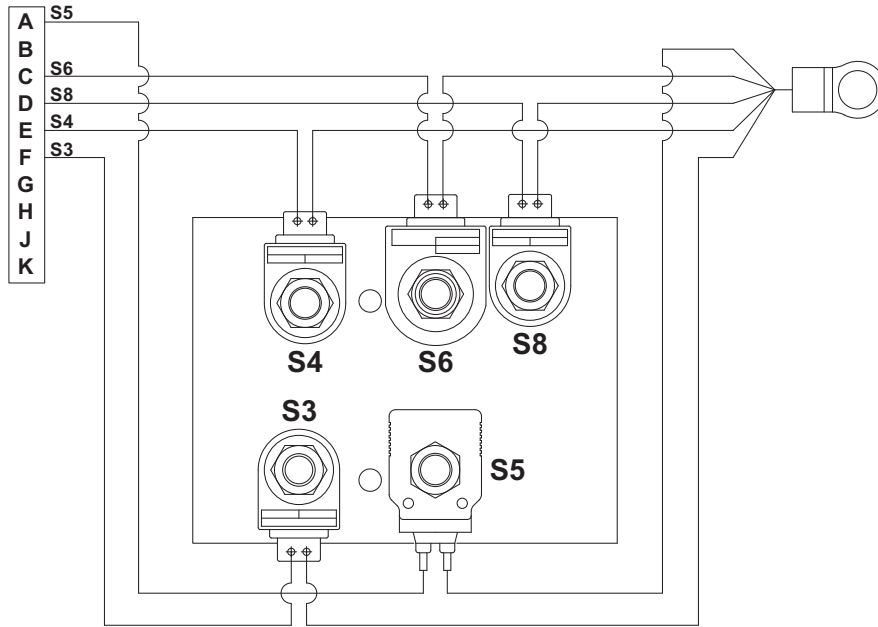


12. Install the blade guides at each end of the moldboard. Insert the cap screw through the holes at the top of the wing reinforcement rib. Tighten all screws with locknuts.

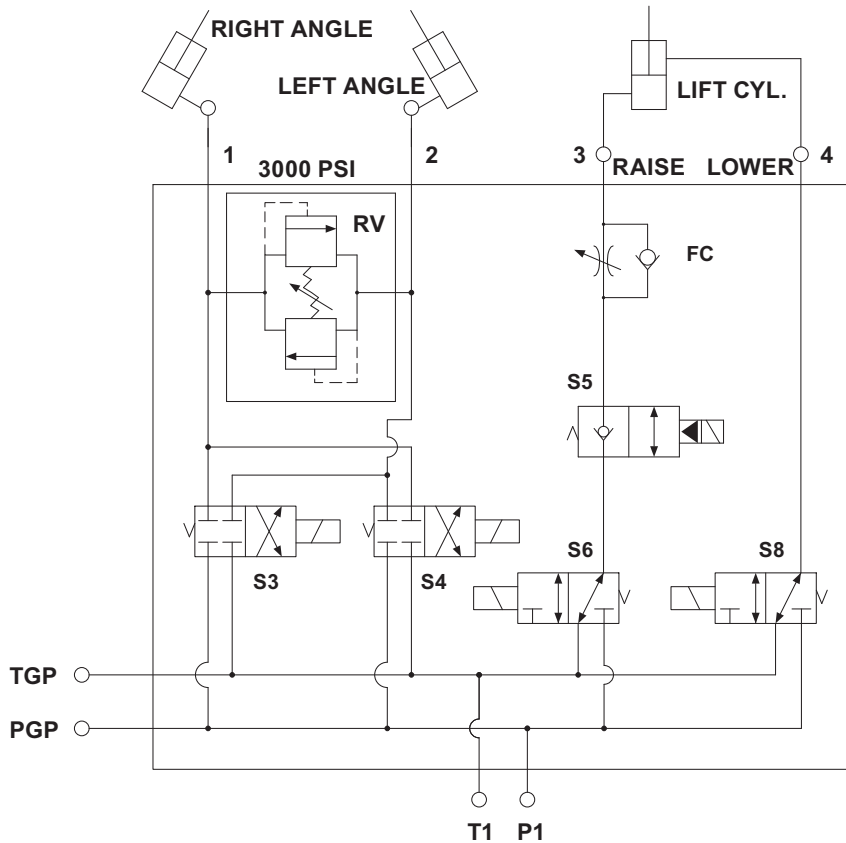


GENERAL SYSTEM SCHEMATICS

B60270 ELECTRICAL SCHEMATIC

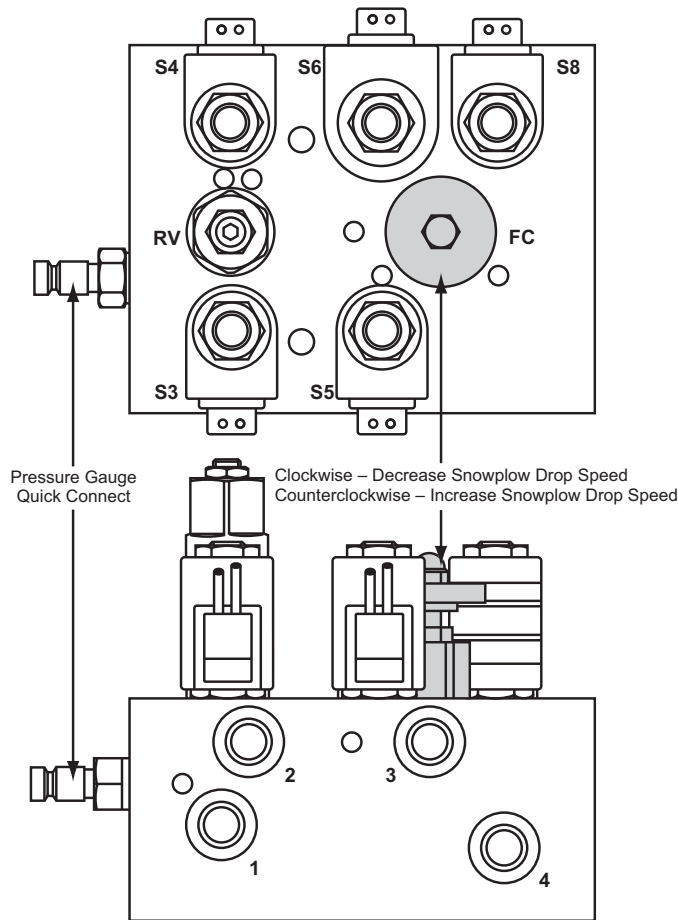


B60270 HYDRAULIC SCHEMATIC



Hydraulic Valve & Hose Port Guide

Models 760LT/760/800/860



If being used with auxiliary hydraulics, recommended for systems having a flow rated at 4–30 gallons per minute (gpm) and a maximum pressure rating of 3,000psi.

HYDRAULIC HOSES	
Port	Function
1	Angle Right – Driver-Side Cylinder
2	Angle Left – Passenger-Side Cylinder
3	Raise – Lift Cylinder (Base)
4	Lower – Lift Cylinder (Rod)
RELIEF VALVE	
Valve	Function
RV	Angle Relief
VARIABLE FLOW CONTROL VALVE	
Valve	Function
FC	Snowplow Drop Speed Adjustment
NOTE: Energize the following solenoids for the functions:	
S3	Angle Left – Passenger-Side Cylinder
S4	Angle Right – Driver-Side Cylinder
S5	Float
S6	Raise – Lift Cylinder (Base)
S5 & S8	Lower – Lift Cylinder (Rod)



Milwaukee, Wisconsin 53224

B63099

ELECTRICAL INSTALLATION — SNOWPLOW SIDE

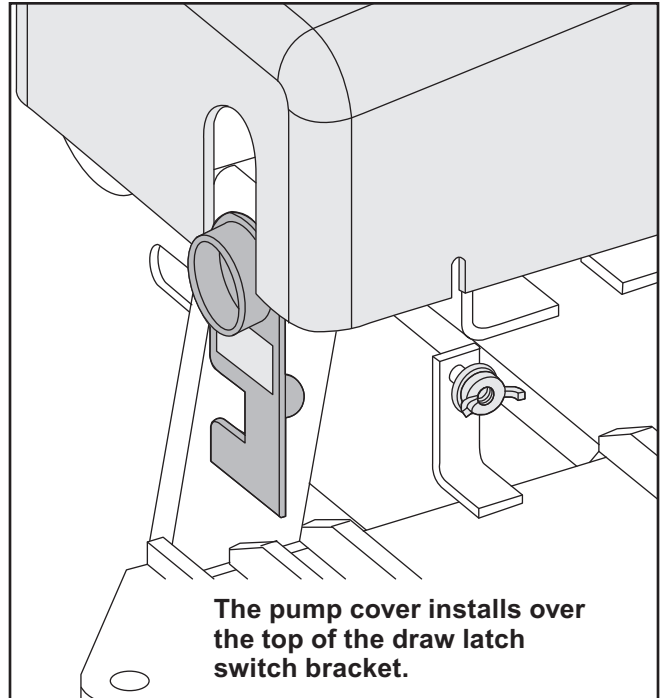
1. Connect the red power wire from the snowplow harness to the pump motor terminal stud. Hardware provided on pump.
2. Place the 3/8" lock washer, the black ground wire (from the harness) and the red ground wire on the coil harness (from the manifold) over the tapped hole on the pump and secure with 3/8" x 3/4" screw.
3. Remove the nut and washer from the POWER HITCH™ connect/disconnect toggle switch and insert it through the back of the mounting bracket on the A-frame. Align the notches on the switch and bracket. Replace the washer and nut and tighten until the switch is firmly in place. Attach the connector on the snowplow harness to the switch.

NOTE: Use caution when connecting. Switches can break if this is done forcefully.

4. Attach the connector on the harness to the connector on the coil harness.
5. Position the harness braid in the notch on the switch bracket and secure it with a cable tie.

NOTE: The diode loop harness should be inside of the pump cover.

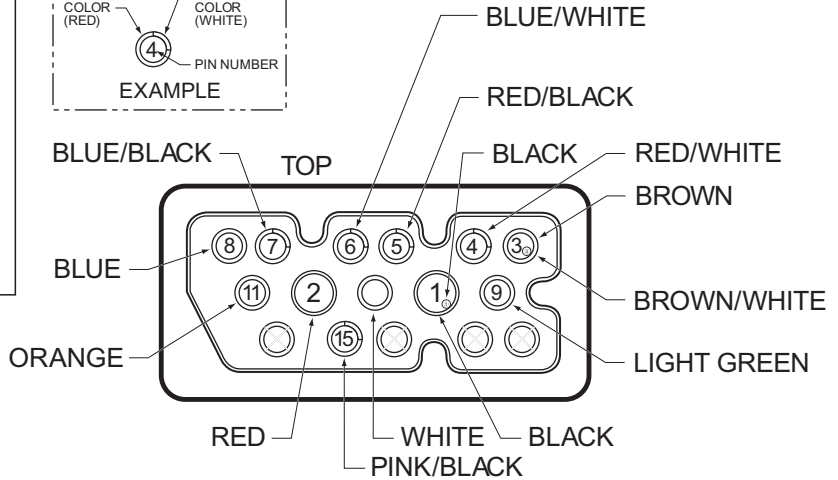
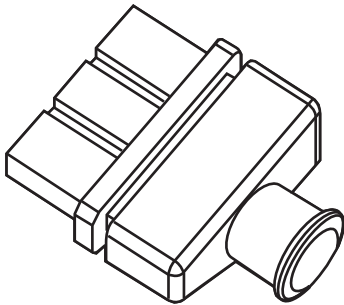
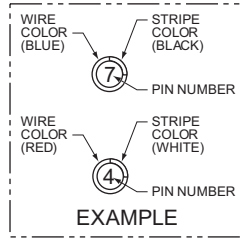
6. Install the pump and manifold cover by aligning the notches in the cover with the welded bolts on the A-frame brackets. Secure with clamping knob. Verify that the cover is positioned over the protective toggle switch hood. Pop the front of the cover on the threaded stud and secure it with the remaining knob.



ELECTRICAL SCHEMATICS

BLIZZARD® HARNESS PLUG (VEHICLE) UNIVERSAL 14 + 2 MOLD

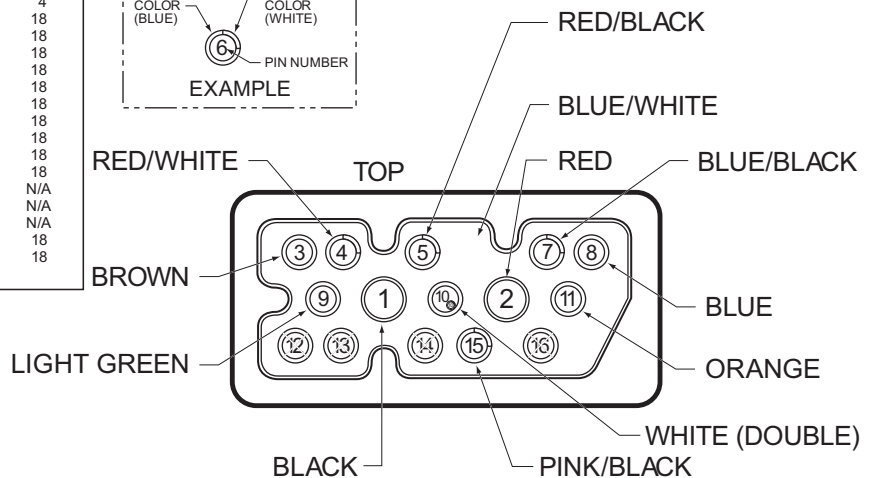
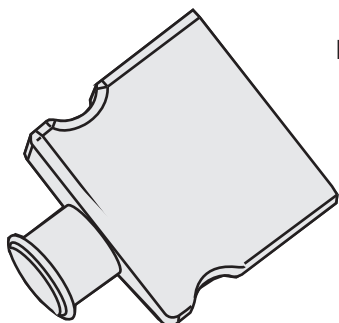
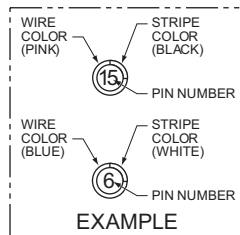
PIN NO.	COLOR	FUNCTION	AWG
1	BLACK	GROUND	4
	BLACK	GROUND	18
2	RED	12 VOLT DC (+)	4
3	BROWN/WHITE	PUMP SOLENOID TO RING	18
	BROWN	PUMP SOLENOID TO MOLEX	18
4	RED/WHITE	RIGHT SLIDE BOX EXTEND	18
5	RED/BLACK	RIGHT SLIDE BOX RETRACT	18
6	BLUE/WHITE	LEFT SLIDE BOX EXTEND	18
7	BLUE/BLACK	LEFT SLIDE BOX RETRACT	18
8	BLUE	LEFT ANGLE	18
9	LT. GREEN	RIGHT ANGLE	18
10	WHITE	LIFT	18
11	ORANGE	FLOAT	18
12	N/A	N/A	N/A
13	N/A	N/A	N/A
14	N/A	N/A	N/A
15	PINK/BLACK	12 (+) VDC FUSED	18
16	N/A	N/A	18



VEHICLE HARNESS PLUG (2005)
FACE VIEW LOOKING AT FEMALE CONNECTOR
FEMALE TERMINALS

BLIZZARD HARNESS PLUG (PLOW)

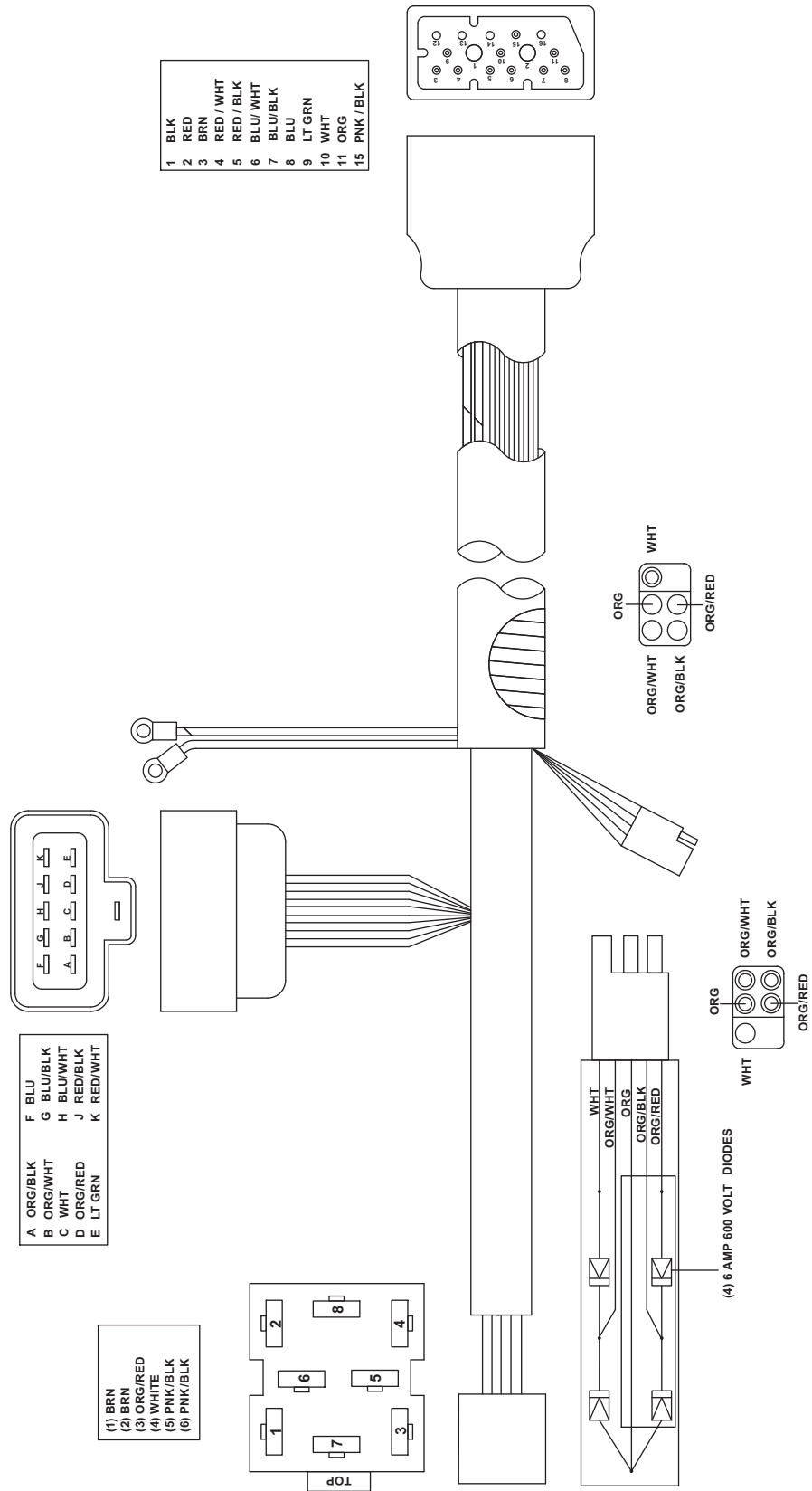
PIN NO.	COLOR	FUNCTION	AWG
1	BLACK	GROUND	4
	N/A	N/A	N/A
2	RED	12 VOLT DC (+)	4
3	BROWN	PUMP SOLENOID	18
4	RED/WHITE	RIGHT SLIDE BOX EXTEND	18
5	RED/BLACK	RIGHT SLIDE BOX RETRACT	18
6	BLUE/WHITE	LEFT SLIDE BOX EXTEND	18
7	BLUE/BLACK	LEFT SLIDE BOX RETRACT	18
8	BLUE	LEFT ANGLE	18
9	LT. GREEN	RIGHT ANGLE	18
10	WHITE	LIFT	18
	WHITE	LIFT	18
11	ORANGE	FLOAT	18
12	N/A	N/A	N/A
13	N/A	N/A	N/A
14	N/A	N/A	N/A
15	PINK/BLACK	12 (+) VDC FUSED	18
16	N/A	N/A	18



PLOW HARNESS PLUG (2005)
FACE VIEW LOOKING AT MALE CONNECTOR
MALE TERMINALS

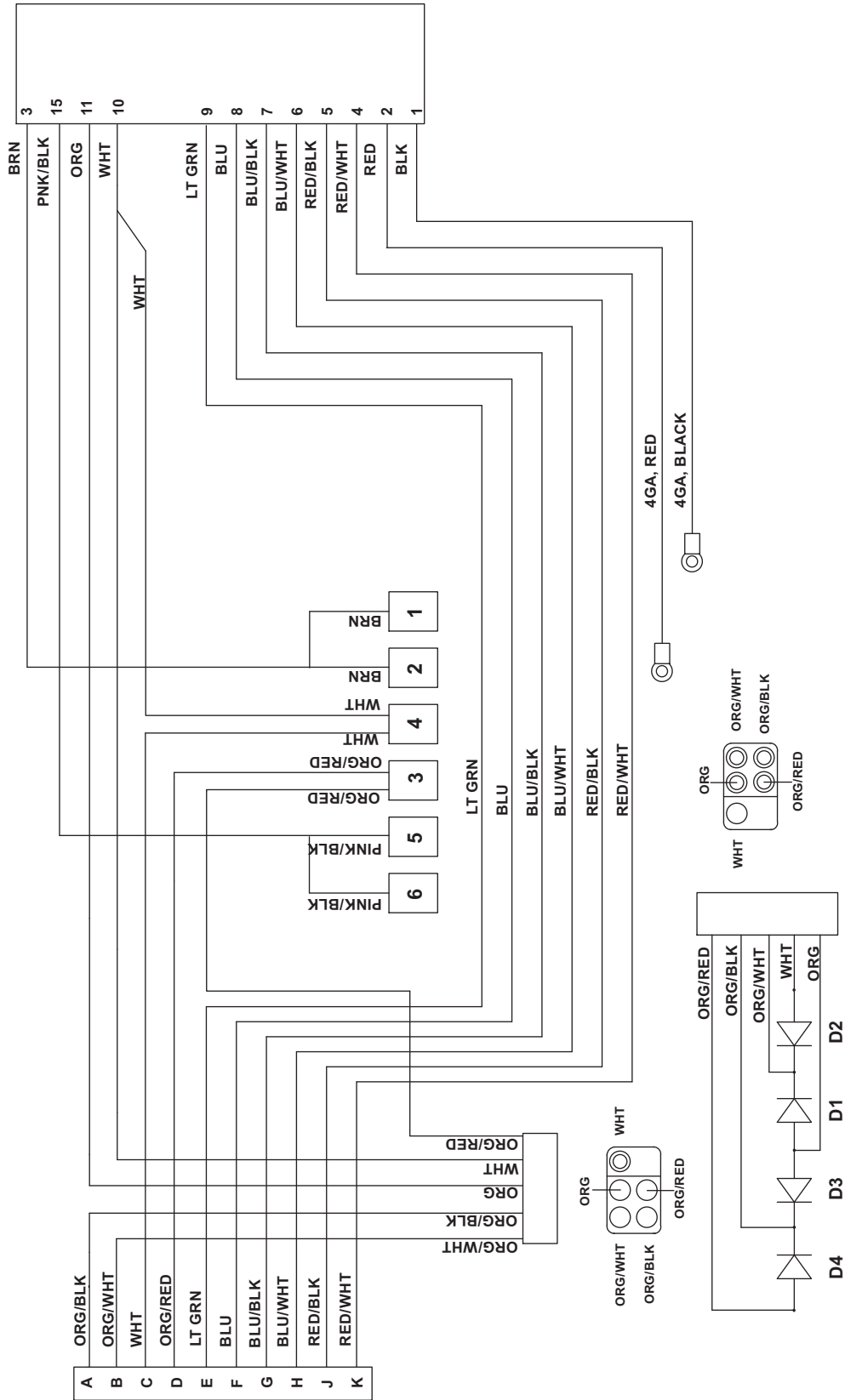
ELECTRICAL SCHEMATICS — SNOWPLOW SIDE

PLOW HARNESS (B62039)



ELECTRICAL SCHEMATICS — SNOWPLOW SIDE

PLOW WIRE HARNESS SCHEMATIC (B62039)



ELECTRICAL INSTALLATION — VEHICLE SIDE

⚠ CAUTION

Before drilling any holes, check the selected area for wires, hoses or other obstructions.

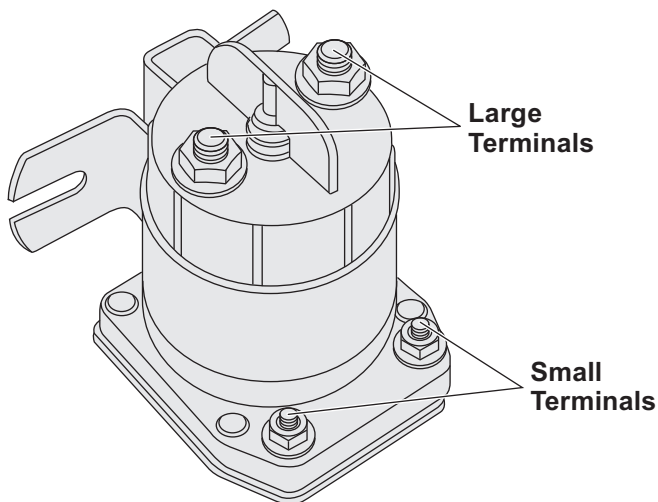
1. With the large plug on the electrical harness placed near the tow hook, under the bumper, route the harness over the driver-side fender well and to the fire wall. Insert the connector end of the harness through an existing hole in the fire wall and into the vehicle cab. If an access hole does not exist, drill an appropriately sized hole through the fire wall in a convenient location away from sharp edges and hot or moving parts.

NOTE: Keep the snowplow plug and vehicle connector pins lubricated with a liberal amount of dielectric grease. Always replace the protective weather caps when the snowplow is disconnected from the vehicle.

2. Attach the power contactor (solenoid) to the driver-side wheel well or engine fan guard using #12 x 3/4" self-drilling screws.

NOTE: Some model vehicles provide mounting locations for accessory components.

Always mount the solenoid with the terminals facing up, for extended solenoid life. Connect the 24" black ground wire to either small terminal on the solenoid and attach the opposite end to the vehicle with a self-drilling screw. Cut the brown/white pump activation wire on the harness to length. Strip the end of the harness and crimp



(HD solenoid shown)

the eyelet terminal onto it. Attach the eyelet to the remaining small terminal on the contactor. Secure it with the hardware provided on the solenoid.

NOTE: Do not fasten the harness to areas that come in contact with moving engine parts or become extremely hot. The harness could become tangled and/or melt causing electrical failure and vehicle damage.

3. Connect the vehicle harness ground wire to the NEGATIVE (–) terminal on the vehicle's battery. Cut the wire to length and strip the end of the wire. Crimp and solder a 3/8" ring terminal on the wire.

NOTE: The harness should be secured to the vehicle prior to taking the necessary measurement.

Measure the distance needed for the power wire to reach the solenoid. Strip the wire, then crimp and solder an end ring terminal to it. Connect the power wire to either large terminal on the solenoid.

4. Strip both ends of the remaining length of red wire, then attach and solder an end ring terminal to both. Connect one end of the wire to the open terminal on the solenoid and the remaining end to the POSITIVE (+) terminal on the battery.
5. Position the main lighting harness with both of the truck headlamp connectors near each truck headlamp and the snowplow headlamp connectors near the grille of the vehicle.
6. Plug the headlamp ground/relay connector from the vehicle harness into the connector on the main lighting harness. Securely mount the relay receptacles to the vehicle with the terminal wires facing down and the relays facing up. Installing the relays in this position will allow moisture to drain from the relay.

ELECTRICAL INSTALLATION — VEHICLE SIDE

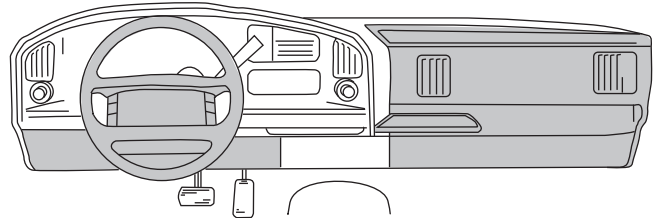
- Remove the front signal lamp assembly from both sides of the vehicle. On the driver's side, feed the violet (turn lamp) and gray (run lamp) wires from the main lighting harness through the opening in the signal lamp housing. Use a test light or ohmmeter to determine the proper wires in the vehicle's electrical system to splice into. Position one end of the turn lamp wire or run lamp wire into the splice lock connector, and attach the vehicle wire into the opposite side. Complete the splice by pinching both wires together and locking the connector. Repeat the splice procedure for the remaining wire.
- Repeat Step 7 for passenger's side, using the pink (turn lamp) and gray (run lamp) wires.
- Connect the vehicle headlamps to the main lighting harness using a light conversion harness kit. Due to differences in the construction of the kits, and the various make and model vehicles BLIZZARD® snowplows are installed on, a light conversion kit is not packaged with your snowplow. Contact your local BLIZZARD dealer to obtain the appropriate conversion harness kit for your vehicle.
- Secure the braided harness to the vehicle. Safely route all harnesses around the engine components and attach them to the vehicle with cable ties. Extend the snowplow headlamp connectors from the main lighting harness, through the grille of the vehicle and position the harness power plug and weather cap near the bumper. Cable tie the plug to the vehicle bumper or tow hook to keep the harness from hanging too low.

⚠ CAUTION

Do not alter, modify or install additional components in shaded areas of the following illustration. Failure to comply may interfere with air bag deployment or cause injury to operator in an accident.

- Install the remainder of the vehicle wire harness to the interior of the cab. Find an accessible location for the snowplow headlamp toggle switch and bracket under the dashboard. When choosing

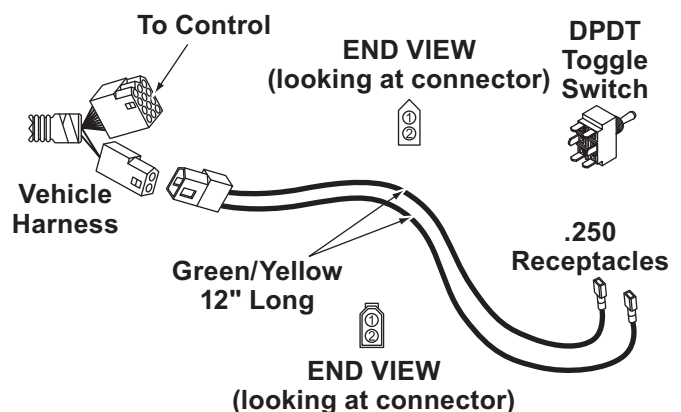
a location for your switch, it should be mounted in easy reach of the vehicle operator and not restricting access to vehicle controls or vehicle instrumentation. Do not mount the switch in areas prohibited by the vehicle manufacturer for crash worthiness. See the vehicle's body builder's book, owner's manual or service manual for details. The shaded areas in the illustration below show the most commonly restricted areas.



Install the headlamp bracket using two self-drilling screws. Insert the toggle switch through the bracket and secure it with the hardware provided. Plug both of the switch leads into the toggle switch.

NOTE: Both terminals should be inserted into the spades on the same side of the switch. One terminal should be positioned in the middle spade.

Plug both 2-pin connectors together, and this will connect the toggle switch to the vehicle wire harness. See illustration below.



ELECTRICAL INSTALLATION — VEHICLE SIDE

12. Connect the power wire (with 15-amp fuse) to a switched power source with a minimum of 15 amps.

NOTE: The red power wire MUST be fused and switched ON and OFF with ignition.

Secure all loose wires under the dash.

13. Install the light tower. Position the arms into the receiving pockets located on the undercarriage. Each pocket has a lock pin that secures both light tower arms. Pull out and twist each handle to temporarily unlock the pins. Place the light tower into the pockets and relock the pins. See your local BLIZZARD® dealer for complete Installation Instructions for your vehicle undercarriage.
14. Install the snowplow headlamps. Align one headlamp stud on the light tower tube with the mounting hole and insert the threaded stud through each. Secure the headlamp with one 1/2" galvanized washer (neoprene facing up), one 7/16" lock washer and locknut.

NOTE: All snowplows are shipped with two caps that install on the ends of the light tower.

After adding a liberal amount of dielectric grease, connect the terminals from the snowplow headlamps to the terminals on the main lighting harness.

15. **If using a joystick control**, align the mount holes on the joystick control with the holes located on the mount pedestal.

NOTE: The radius on the pedestal should face the dashboard.

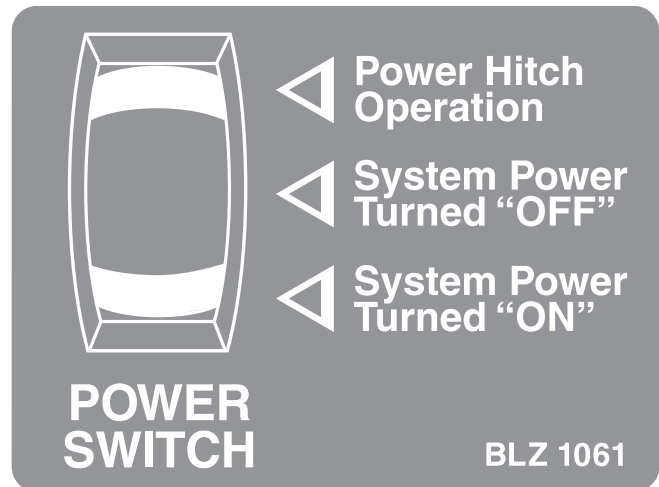
Secure the joystick to the pedestal with the 8 x 3/4" machine screws provided. Slide the hook-and-loop fastener strap through the slots cut in the pedestal. The D-ring should be located on the side opposite of the radius. Wrap the strap around the bench and fasten.

16. Connect the white power connector from the vehicle wire harness to the connector on the control station. The power switch should be in the "OFF" position.

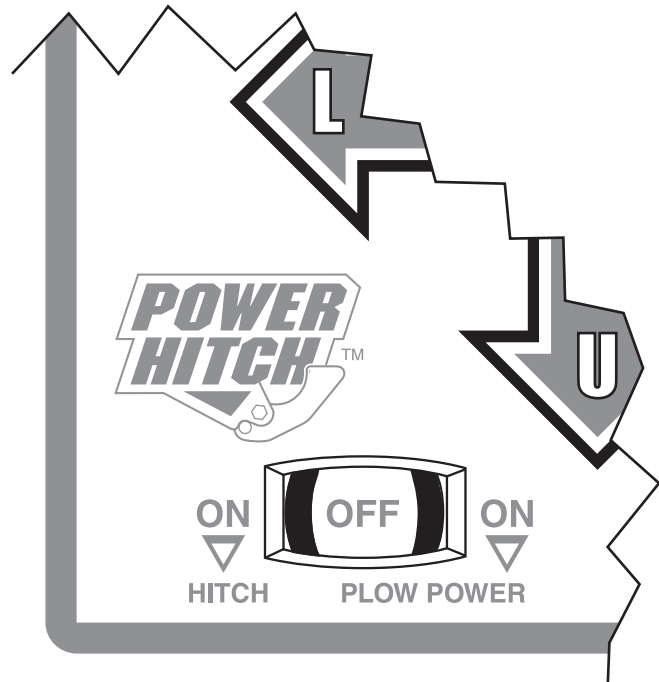
NOTE: The operation of the draw latch can only be controlled when the switch on the control is in the "POWER HITCH™" position and the RAISE/LOWER rocker switch on the A-frame is in the neutral (center) position.

17. After completing the mechanical and electrical installations, test all snowplow and lighting functions before attempting to drive or plow.

Joystick Control

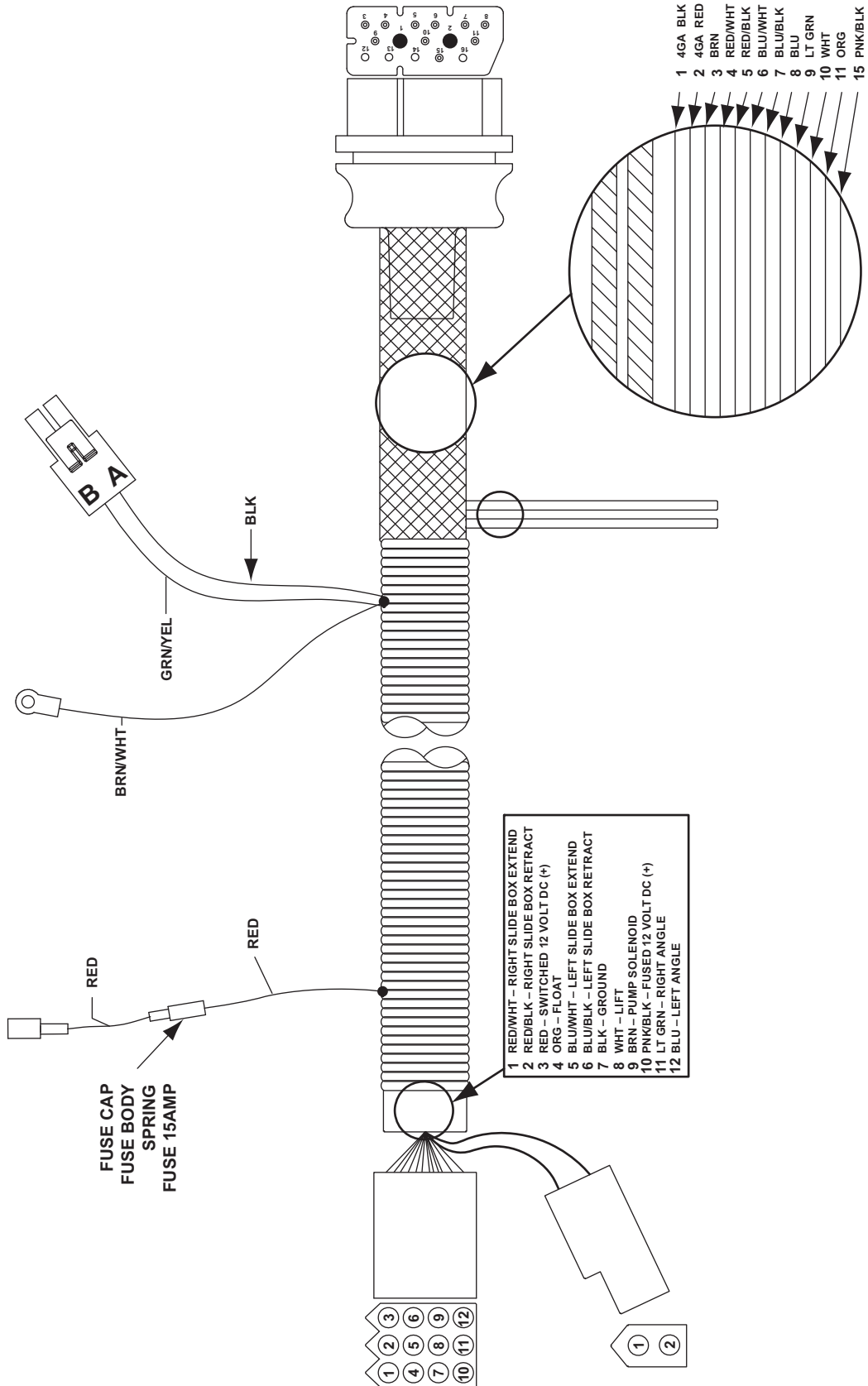


Touchpad Control



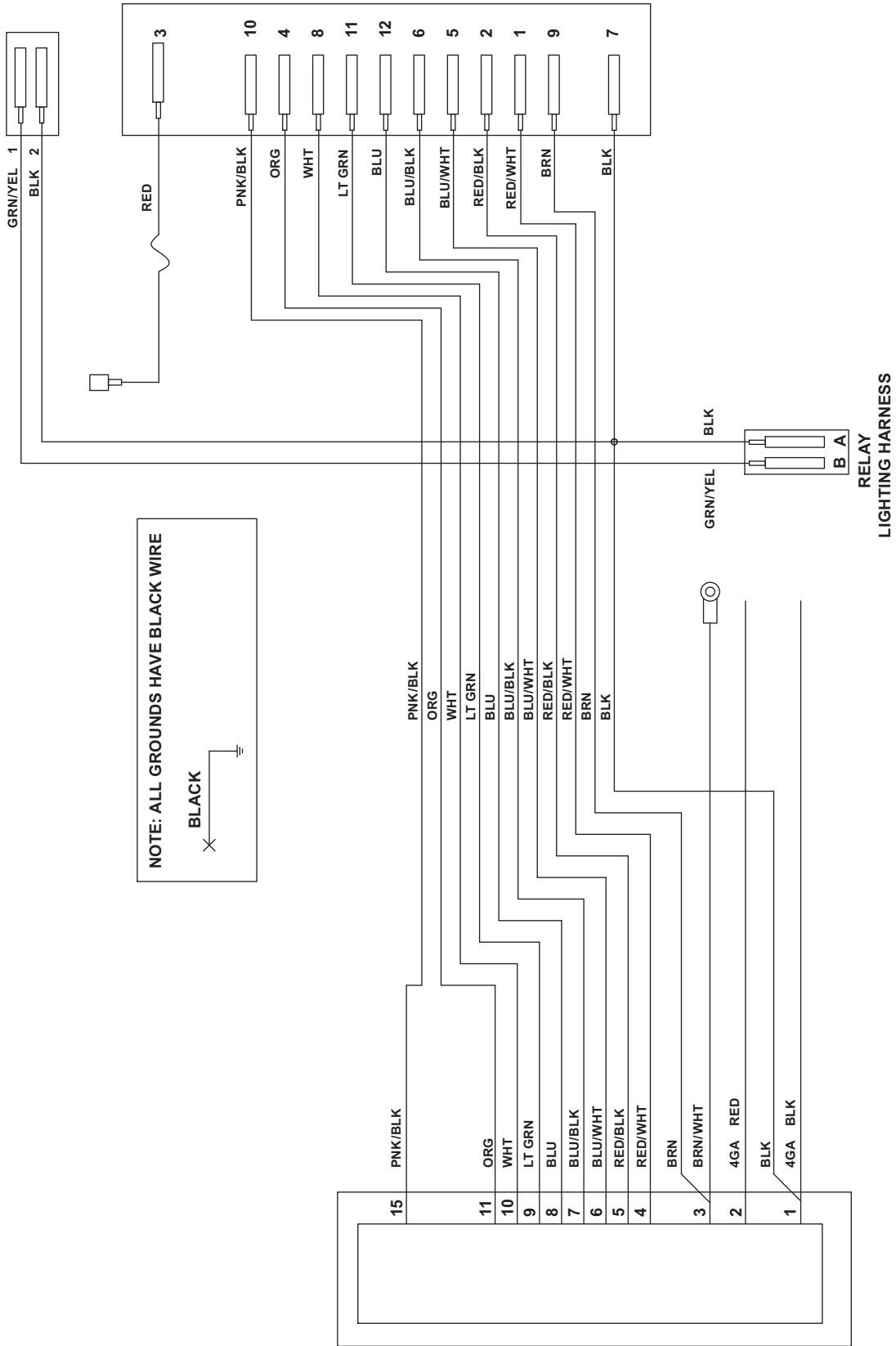
ELECTRICAL SCHEMATICS — VEHICLE SIDE

VEHICLE HARNESS (2005)



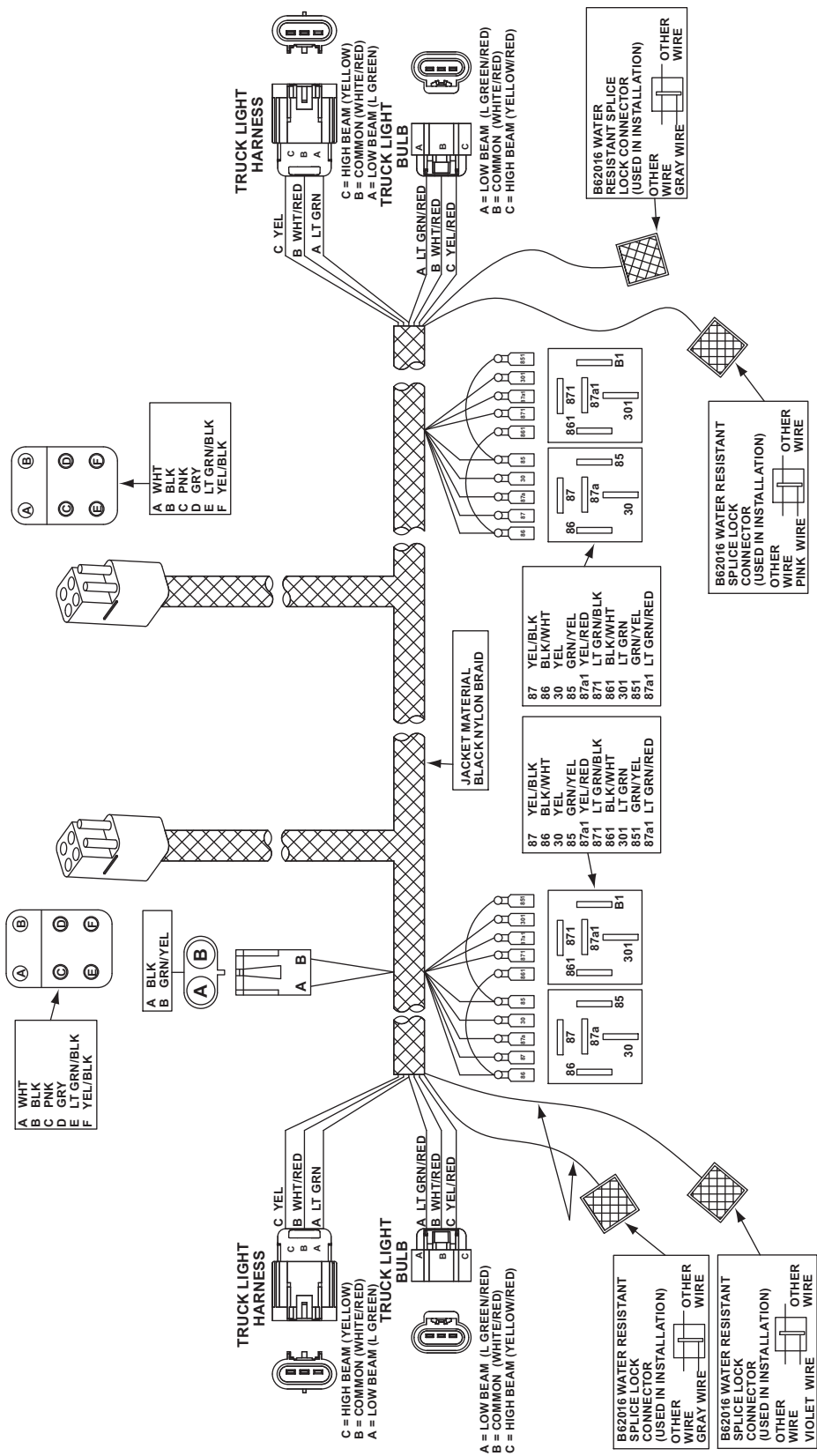
ELECTRICAL SCHEMATICS — VEHICLE SIDE

VEHICLE HARNESS SCHEMATIC (2005)



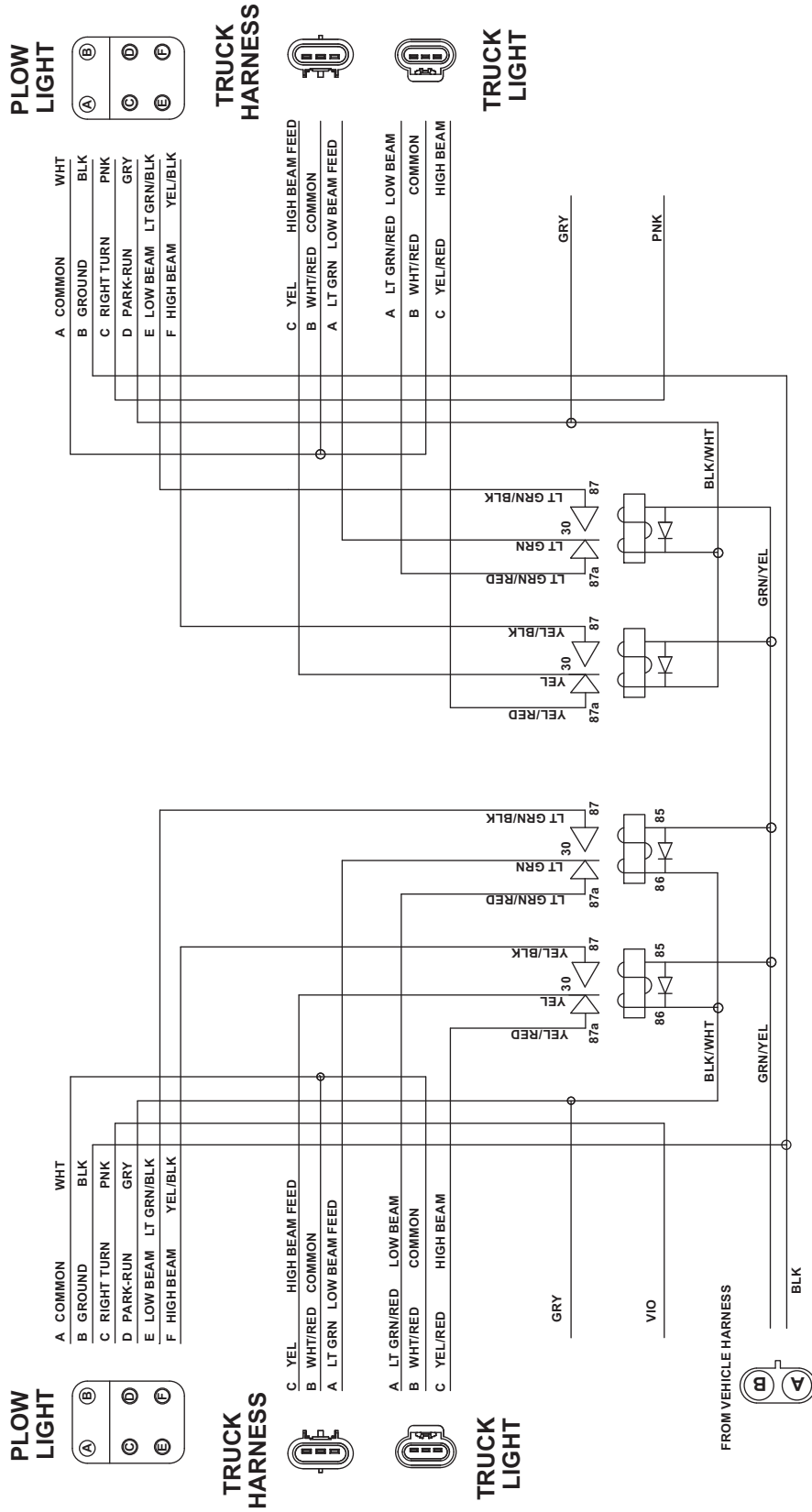
ELECTRICAL SCHEMATICS — VEHICLE SIDE

MAIN LIGHTING HARNESS (2005)



ELECTRICAL SCHEMATICS — VEHICLE SIDE

MAIN LIGHTING HARNESS SCHEMATIC (2005)



POWER HITCH™ SYSTEM INSTRUCTIONS

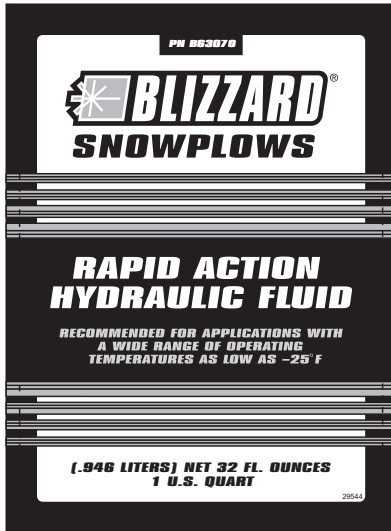
Prior to operating your straight blade snowplow, review the Mount and Dismount Instructions label on the back of the driver's side moldboard.

NOTE: If at any time the Mount and Dismount Instructions label, or any other label attached to your snowplow, becomes illegible, promptly replace it.

MOUNT INSTRUCTIONS		DISMOUNT INSTRUCTIONS	
Read Owner's Manual for Complete Instructions.		Read Owner's Manual for Complete Instructions.	
<p>STEP #1</p>		<p>STEP #1</p>	
<p>⚠ WARNING: Keep fingers away. POWER HITCH arm raises behind undercarriage pushbeam.</p>			
<ul style="list-style-type: none"> • Kickstand must be lowered, with kickstand pin seated in lower hole on pivot beam. • Slowly drive vehicle forward until pushbeam receiver mount points contact A-frame mount bushings. • Turn POWER HITCH OPERATION switch (on plow control) to "ON" position. • Connect plow and vehicle electrical harnesses. Connect weather caps together. 		<ul style="list-style-type: none"> • Raise plow. Lower kickstand until kickstand pin is seated in lower hole on pivot beam. • Lower plow on flat, level surface. Turn vehicle ignition off. • Remove hitch pins from A-frame and undercarriage. • Turn vehicle ignition on. • Turn POWER HITCH OPERATION switch (on plow control) to "ON" position. 	
<p>STEP #2</p>		<p>STEP #2</p>	
<p>⚠ WARNING: Keep fingers away from plow and truck mounting points.</p>			
<ul style="list-style-type: none"> • Pull A-frame latch lock pin out and lower A-frame latch over draw pin. • Push and hold CONNECT/DISCONNECT switch upward. POWER HITCH arm will engage back of pushbeam and pull plow into pushbeam receiver mount points on vehicle. • Insert both hitch pins and secure each with hair pin cotter. • Lower POWER HITCH arm to relieve tension on A-frame latch. Raise A-frame latch and lock into position with lock pin. Raise plow. • Raise kickstand until kickstand pin seats into upper hole on pivot beam. 		<ul style="list-style-type: none"> • Push and hold CONNECT/DISCONNECT switch downward. POWER HITCH arm will disengage from behind undercarriage pushbeam and lower. • Disconnect plow and vehicle electrical harnesses. Install weather caps. • Turn SYSTEM POWER (on plow control) to "OFF" position. • Slowly move vehicle backward away from plow. 	
<p>44812</p>			
<p>U.S. Patents 5,638,618; 5,899,007; 6,178,669; 6,276,076; 6,393,737; 6,408,549; 6,412,199; 6,442,877; 6,615,513; Canadian and other patents pending.</p>			

TESTING YOUR SNOWPLOW

1. Fill the hydraulic pump reservoir with BLIZZARD® Snowplow Rapid Action Hydraulic Fluid until it is approximately 3/4" from the top of the tank. Replace the cap on the reservoir. Remove the weather caps from each of the snowplow and vehicle harnesses and connect the plugs. Start the vehicle and turn the power switch on the control station in the cab to the "ON" position.



⚠ WARNING

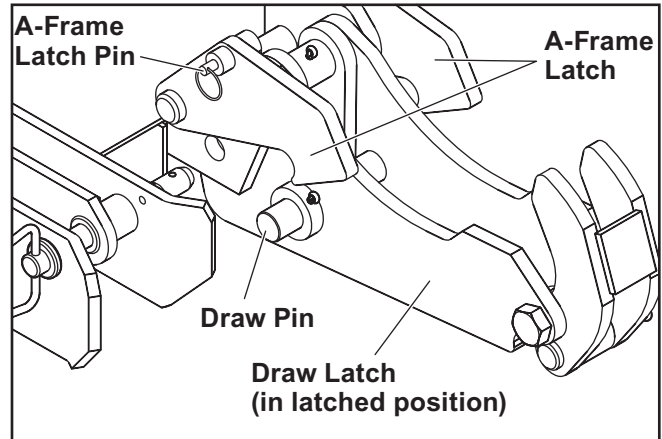
You can die or be seriously injured. Keep hands and feet away from hitch mechanism and snowplow blade when operating the POWER HITCH™ arm. The action of the arm moves the snowplow toward the vehicle and into position for proper attachment.

2. To raise the POWER HITCH arm on the snowplow, turn the power switch on the control station to the "UP" or "ON" position. Push and hold the toggle switch on the A-frame upward into the "CONNECT" position. Notice the action of the fluid in the reservoir. By activating the initial hydraulic function, the fluid begins to fill the system. Push and hold the toggle switch in the "DISCONNECT" position. The POWER HITCH arm will lower. Refill the reservoir until the fluid is approximately 3/4" from the top of the tank.

3. Align the POWER HITCH arm on the A-frame below the pushbeam, with the receiver plates in line with the receiver plates on the undercarriage. Pull out the A-frame latch pin and rotate the A-frame latch clockwise until the latch is resting on the draw pin. Move the snowplow in position by activating and releasing the POWER HITCH connect switch.

The POWER HITCH arm will rise until it hits the pushbeam and the draw latch fingers will pull the snowplow into the vehicle. The receiver plates on the snowplow and vehicle are now positively aligned. Insert the two hitch pins through the mounting holes on the A-frame and secure each with one hairpin cotter.

After the two hitch pins are inserted through the A-frame, lower the POWER HITCH arm using the toggle switch on the A-frame. Rotate the A-frame latch counterclockwise until the A-frame latch pin can be reinserted. Fully reinserting the A-frame latch pin will lock the A-frame latch in place for transport or plowing snow. (See below.)



TESTING YOUR SNOWPLOW

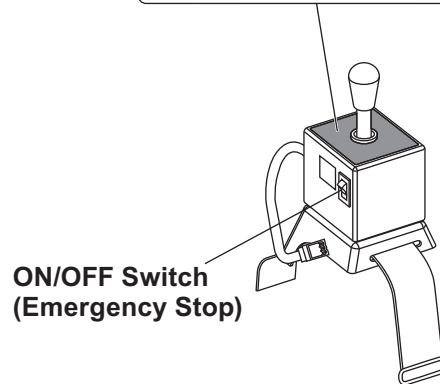
- Return to the interior of the vehicle to test the remaining functions of the snowplow. The system power on the control should be in the "ON" position. Raise the snowplow to its maximum height by pulling the joystick back (or down) or pressing the U button on the touchpad. Angle the snowplow to the left by moving the joystick toward the "L" (left angle) on the label or pressing the L button on the touchpad. If the snowplow function is slow or delayed, the hydraulic fluid is filling the cylinder and replacing the air in the system. Test the remaining functions of the snowplow. To lower the snowplow to the ground, push the joystick ahead (or up) or push the D button on the touchpad.

NOTE: The FLOAT function is activated when the joystick is pushed ahead (or up) into the "Lower/Float" position or the D button is pressed on the touchpad and held there for an additional .5 second after the blade contacts the ground. The LED "Float" light (touchpad only) will come ON when the snowplow is in FLOAT mode.

Angle the snowplow to the right by moving the joystick toward the "R" (right angle) on the label or pressing the R button on the touchpad. Check the fluid level in the reservoir and fill to 3/4" from the top of the tank if needed.

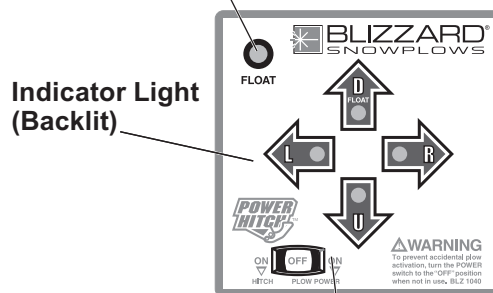
- Check for fluid leaks around the manifold, pump, hydraulic hoses and all cylinders. If there are any leaks, turn OFF the power switch on the control and shut OFF the vehicle engine. Tighten any loose connections and/or fittings. Restart the vehicle, cycle all blade controls, then check to see if all the leaks have been stopped after turning OFF the control power switch and shutting OFF the vehicle.
- Check that the vehicle and snowplow headlamps are in proper working condition, including the turn signals.

(No LED Float Light or Indicator Light)

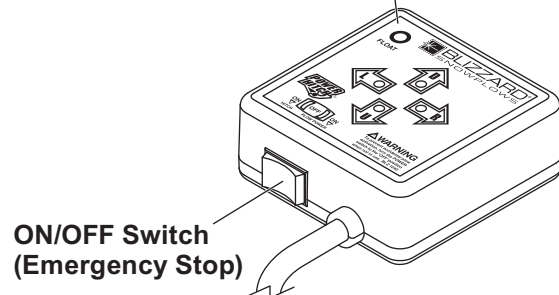


ON/OFF Switch
(Emergency Stop)

LED Float Light



Indicator Light
(Backlit)



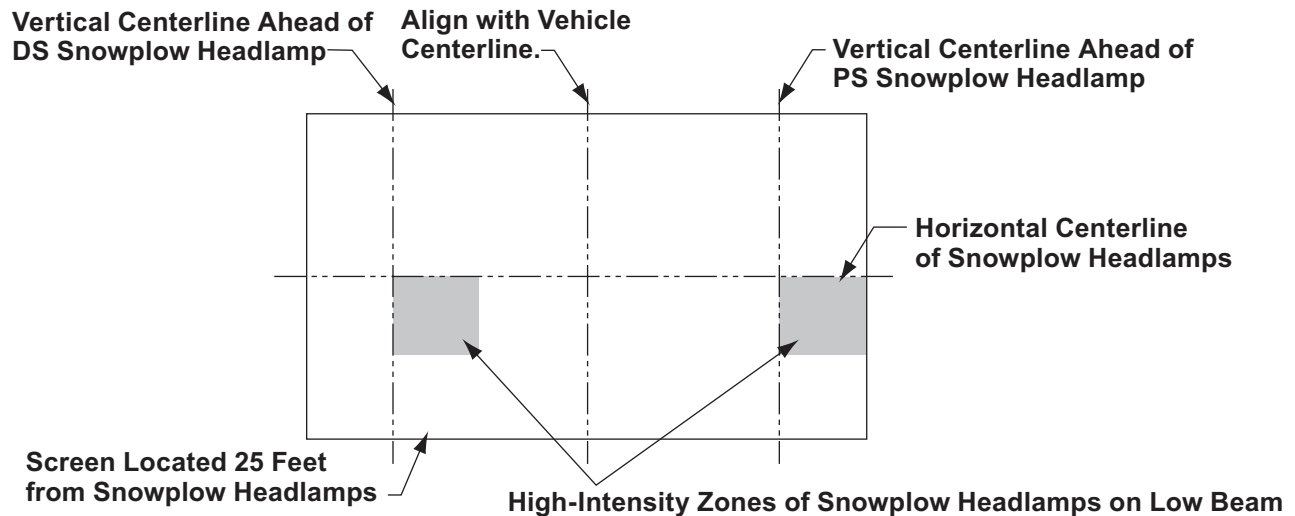
ON/OFF Switch
(Emergency Stop)

HEADLAMP AIMING

Fully tighten headlamp fasteners once correct visual aim is achieved.

1. Place vehicle on a level surface 25 feet in front of a matte-white screen, such as a garage door. The screen should be perpendicular both to the ground and to the vehicle centerline.
2. The vehicle should be equipped for normal operation. The snowplow blade should be in place and in raised position. Below are steps listed by the Society of Automotive Engineers (SAE) pertinent to headlamp aiming in specification #SAE J599d.
3. Prepare vehicle for headlamp aim or inspection. Before checking headlamp aim, the inspector will:
 - a. Remove ice or mud from under fenders.
 - b. Set tire inflation pressures to the values specified on vehicle information label.
 - c. Check springs for sag or broken leaves.
 - d. See that there is no load in the vehicle other than the driver and ballast as specified in the Undercarriage Selection Guide.

- e. Check functioning of any automatic vehicle leveling systems and specific manufacturer's instructions pertaining to vehicle preparation for headlamp aiming.
 - f. Clean lenses.
 - g. Check for bulb burnout and proper beam switching.
 - h. Stabilize suspension by rocking vehicle sideways.
4. Mark (or tape) the vertical centerline of the snowplow headlamps and the vertical centerline of the vehicle on the screen. Mark the horizontal centerline of the snowplow headlamps on the screen (distance from ground to snowplow headlamp centers).
 5. Align the top edge of the high-intensity zone of the snowplow lower beam below the horizontal centerline and the left edge of the high-intensity zone on the vertical centerline for each snowplow headlamp. (Refer to diagram below.)



MAINTENANCE

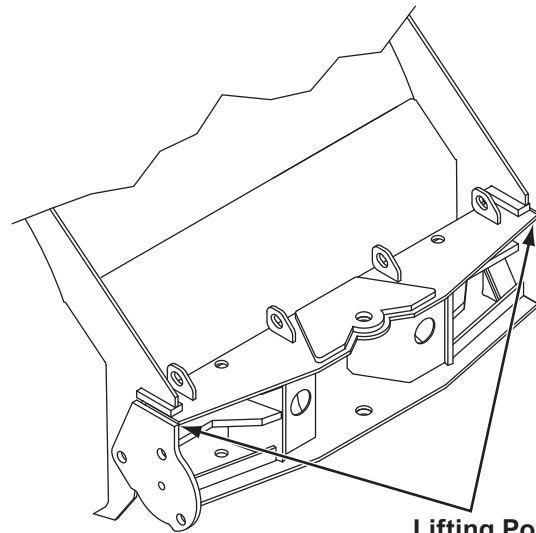
Maintenance	Periodically	Yearly
Check fasteners for tightness. Torque to specifications.	X	
Check hoses for wear and leaks.	X	
Check cylinders for leaks. Inspect rod ends for corrosion and pitting.	X	
Lubricate all exposed cylinder rod ends with liquid white lithium grease to prevent corrosion.		X
Check cutting edges and plow shoes for wear. <i>NOTE: Do not discard plow shoe washers; these should be retained for different shoe adjustments.</i>	X	
Clean and lubricate all electrical plugs and connections with dielectric grease. Clean and install all dust caps prior to storing.	X	X
Lubricate all pins and bushings, and A-frame latch with NLGI Grade 2 multipurpose lithium complex grease with molybdenum (MPGM) to maintain consistent operation.	X	X
Clean and paint all scratches or exposed metal with BLIZZARD® touch-up paint.	X	X
Check the hydraulic fluid level. Fill with fluid to 3/4" from the top of the reservoir. Do not exceed this level. Never mix different types of fluid.	X	
Remove and properly discard the fluid from the pump reservoir. Clean the pump filter and replace the hydraulic fluid to within 3/4" from the top of the reservoir. Changing the fluid annually will prolong the life of your pump and manifold. Never mix different types of hydraulic fluid.		X
Check the trip spring adjustment. Properly adjusted tension will allow a sheet of paper to pass between the third and fourth coils of the spring.	X	
Clean snow and ice build-up from the pump and manifold cover.	X	
Pressure wash and dry the entire snowplow prior to storing.		X
Cover the snowplow with a tarp if stored outside. This will protect your snowplow from sun fading and inclement weather, which can lead to accelerated corrosion.		X

REMOVING FROM STORAGE

1. Perform all regular maintenance.
2. Replace the hydraulic fluid in the pump reservoir. Prolonged storage could result in condensation build-up.
3. Follow the mounting procedure on the POWER HITCH™ label.
4. Initiate all of the functions. Monitor the fluid level in the reservoir and fill to 3/4" from the top of the tank as necessary.
5. Adjust the snowplow headlamps as needed.

LIFTING

To lift and move this snowplow, attach chain fall grab hooks to outside pivot beam area shown. Always follow recommended lift warnings and procedures. See following page for snowplow weights and dimensions.



**Lifting Points
(both sides)**

TECHNICAL SPECIFICATIONS

Part	Specification	760LT	760HD	800HD	860HD
Moldboard	Length	90" (7'-6")	90" (7'-6")	96" (8')	102" (8'-6")
	Thickness	12 ga			
	Height	29"	31"		
	Reinforcement	4 Ribs @ 3/16"	6 Ribs @ 1/4"		
	Cutting Edge (1080)	3/8" x 6"	1/2" x 6"		
	Finish	Powder Coat White			
	Trip Mechanism	(3) 3/8" Hooked Extension	(4) 3/8" Hooked Extension		
A-Frame	Material	Rectangular Tube and Channel Type			
	Hitch Pins	3/4" x 6" Yellow Zinc			
	Finish	Powder Coat Black			
Pump	Construction	Steel Housing with Clear Plastic Tank			
	Type	Internal Gear Pump			
	Size	2.5 cc			
	Motor	12 V Starter			
	Weight	32 lb			
	Mount	A-frame Install with Hex Cap Screws			
	Reservoir Capacity	2 qt			
	Controls	Toggle and Rocker Switch/Joystick or Touchpad			
Manifold	Construction	Red Anodized Aluminum			
	Valves	Electro-Hydraulic Cartridge			
Cylinders	Angle Cylinders	2			
	Stroke	9-3/8"	10"		
	Ram Diameter	1-3/4"			
	Bore Diameter	2"			
	Raise/Lower Cylinders	1			
	Stroke	4-5/8"			
	Ram Diameter	1-1/4"			
	Bore Diameter	2-1/2"	3"		
Snowplow Headlamps	Type	Low-Profile with Turn Signals			
	Measurements	12" W x 5" H x 5-1/4" D			
	Housing	Plastic Composite			
	Bulb Type	High/Low Sealed Beam Halogen 12V Rectangular			
	Switch Type	Dash Mount, Toggle			
Snowplow Specs	Weight*	578 lb	752 lb	769 lb	778 lb
	Amperage Draw**	145 A	135 A		
	Adjustable Plow Shoes	(2) Std.	(2) Heavy-Duty Cast Steel		
	Mount Mechanism	Hydraulic Power Switch			
	Control Station	Joystick or Touchpad			

* Weight does not include undercarriage.

** Amperage Draw specifications are based on snowplow lift operation, at a shop temperature of 65°F, using BLIZZARD® Rapid Action Hydraulic Fluid. Amperage will vary with temperature, fluid viscosity and meter accuracy. Deadheading a snowplow function will result in significantly increased amperage.

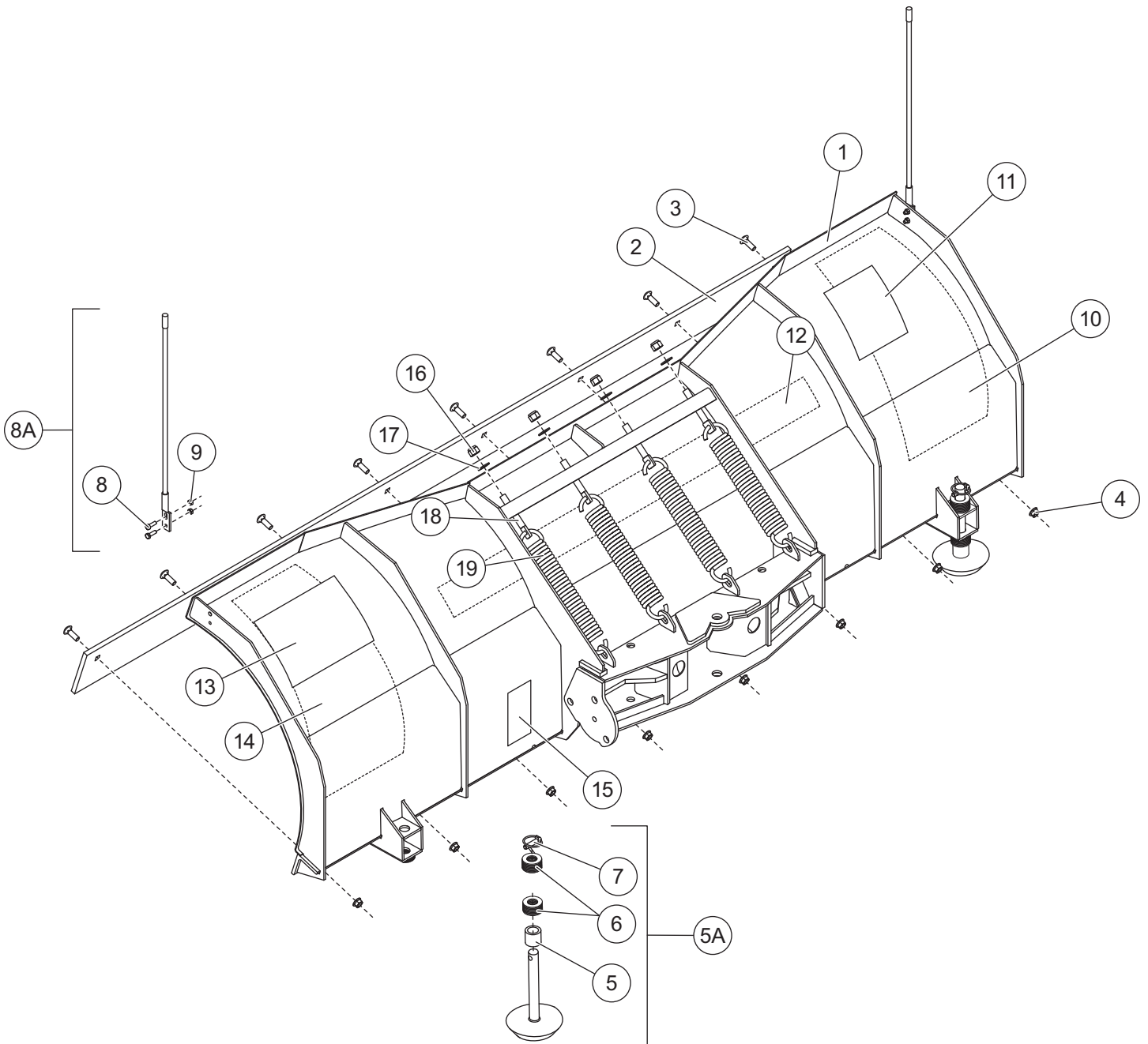
TROUBLESHOOTING

Problem	Cause	Solution
Pump will not run.	Snowplow harness may not be properly connected to the vehicle harness.	Verify that the harnesses are properly connected.
	Power or ground cables to the battery, pump or solenoid may not be properly connected.	Properly connect all cables. Clean and lubricate with dielectric grease. If power does not resume, check the continuity of all cables to find the break.
Pump will not run, power to the solenoid.	The black ground wire and brown/white activation wire on the solenoid are not properly connected.	Properly connect both cables. Test for power by initiating any control function except "FLOAT." <i>NOTE: The POWER rocker switch must be in the "ON" position to properly test any snowplow function.</i> If the solenoid is grounded and no power exists, diagnose the snowplow and truck harnesses.
Pump will not run with power to the solenoid. Brown/white activation wire and ground are properly connected.	The red, hot wire to the pump motor is not properly connected.	Connect red wire and check the black ground wire. If problem is not resolved, the solenoid could be inoperable or the pump motor may be worn. Replace the solenoid if there is no power to the pump. Replace the pump motor if it is receiving power.
Pump will not turn OFF. Do not allow the pump motor to run continuously. Unplug the harness until the solenoid can be tested or a BLIZZARD® outlet can diagnose the problem.	Solenoid may be damaged.	Disconnect the brown/white activation wire from the solenoid. If the problem is not resolved, replace the solenoid.
	Short in the control or wire harness.	Disconnect the control in the cab. If the pump turns OFF, there is a short in the electrical system.
Pump runs but snowplow functions are slow.	Fluid level in the pump reservoir is low. Fluid is leaking.	Add fluid to within 3/4" from the top of the tank. Check for leaks around the pump, manifold and cylinders.
	System pressure may be set too low. Increasing the pressure excessively will increase the amperage draw. This could damage the vehicle harness.	Adjust the pressure. Remove the hex cap on top of the pump and turn the screw clockwise. Proper system pressure should be set at 2400 psi. Test functions and repeat procedure as needed.
	Amperage from the vehicle's alternator is too low.	Repair or replace vehicle alternator. System amperage draw is 135A (145A for 760LT) at 1500 psi.
	Pump filter may be clogged.	Remove the pump tank and thoroughly clean the filter.
A-frame latch will not move.	Draw latch is binding the A-frame latch.	Lower the draw latch to relieve binding on the A-frame latch and reposition the A-frame latch as needed.
Snowplow will not lift. Pump works properly.	Control station in the cab may not be properly connected.	Connect the power connector from the control to the vehicle harness.
	A-frame latch is in the (down) locked position.	Lift the A-frame latch into the raised position.
	Diode loop harness may be corroded or could have failed.	Clean diode loop harness thoroughly and/or replace.
	Coils on the manifold may be damaged.	Remove the S6 coil from the cartridge valve. Position a screwdriver inside of the coil and push the draw latch connect/disconnect toggle switch upward. The screwdriver should be magnetically drawn to the coil. Replace the coil if there is no action.

TROUBLESHOOTING

Problem	Cause	Solution
Snowplow will not lift with magnification to the S6 coil.	Hydraulic lock in the manifold. This occurs if the voltage is too low on the coils—should be 10 volts.	Loosen cartridge valve S6 to relieve pressure and retighten. DO NOT OVERTIGHTEN! Valves should be torqued to a maximum of 24 ft-lb.
	Solenoid cartridge valve may be contaminated.	Remove any foreign objects that may be obstructing proper valve operation. Replace if not operating properly after cleaning.
Snowplow will not stay angled when plowing.	The angle pressure-relief valve is set too low. <i>NOTE: Increasing the pressure-relief setting will cause damage to your snowplow. Do not set the pressure relief greater than 3000 psi.</i>	Check the pressure relief by testing the valve inline with the cylinder. Attach a tee fitting to the angle cylinder hydraulic adapter and connect the hose and pressure gauge to the tee. <i>NOTE: The setting should not exceed 3000 psi.</i>
Snowplow will not angle, pump works.	Review all probable causes above.	<i>NOTE: Verify coils S3 and S4 for angle functions.</i>
Snowplow lowers too slowly.	Variable flow control valve is not adjusted properly.	⚠ WARNING: Snowplow can fall suddenly. You can die or be seriously injured. Drop snowplow to ground before adjusting flow control. Turn flow control valve counterclockwise in small increments and test.
	Review all probable causes for "Snowplow will not lift."	Verify S5 coil (float) or S5 and S8 coils (disconnect) for magnetism.
Snowplow drops sporadically.	Variable flow control valve is opened too far.	⚠ WARNING: Snowplow can fall suddenly. You can die or be seriously injured. Drop snowplow to ground before adjusting flow control. Turn clockwise 1/16 turn and test.
Headlamps will not switch from the vehicle to the snowplow.	No power or ground to the headlamp relay.	Verify that the headlamp/ground relay connector is connected. If the connector is properly attached, replace the headlamp relay(s).

MOLDBOARD — ALL MODELS

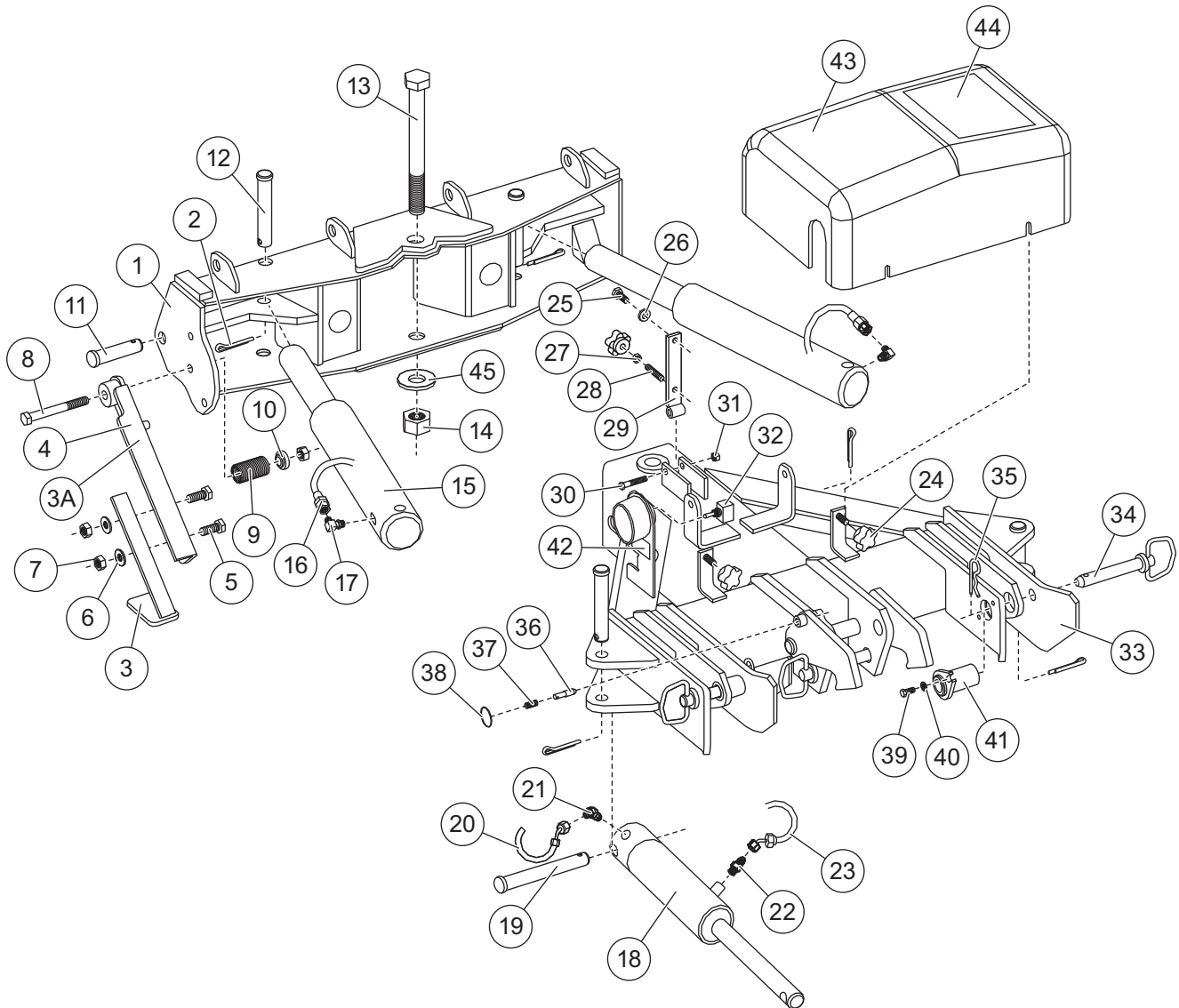


MOLDBOARD — ALL MODELS

Item	Part	Qty				Description
		760LT	760HD	800HD	860HD	
1	B81006	1	–	–	–	Moldboard
	B84006	–	1	–	–	Moldboard
	40676	–	–	1	–	Moldboard
	40680	–	–	–	1	Moldboard
2	B61165	1	–	–	–	Cutting Edge
	B61168	–	1	–	–	Cutting Edge
	B61164	–	–	1	–	Cutting Edge
	B61528	–	–	–	1	Cutting Edge
3	B61196	8	8	8	8	1/2-13 x 1-1/2 Carriage Bolt G8
4	B61365	8	8	8	8	1/2-13 Flanged Locknut
5A	49067	2	–	–	–	Disc Shoe Assembly (incl. items 5–7)
	49071	–	2	2	2	Heavy Duty Plow Shoe Assembly (incl. items 5–7)
5	60045	2	2	2	2	1-1/8 ID, 1-5/8 OD x 1-1/2 Spacer
6	91192	36	42	42	42	1" Flat Washer
7	93010	1	1	1	1	7/16 x 1-3/4 Linchpin
8A	B61049	1	1	1	1	Plow Guide Assembly (set of 2) (incl. items 8 and 9)
8	68494	4	4	4	4	5/16-18 x 1 Hex Cap Screw G5
9	91332	4	4	4	4	5/16-18 Locknut GB
10	96318	1	1	–	–	Label, Moldboard – PS
	96320	–	–	1	1	Label, Moldboard – PS
11	59900	1	1	1	1	Label – Warning/Caution
12	B63163	1	1	1	1	Label, Center Moldboard
13	44812	1	1	1	1	Label – POWER HITCH™ Mount/Dismount
14	96319	1	1	–	–	Label, Moldboard – DS
	96321	–	–	1	1	Label, Moldboard – DS
15	29256	1	1	1	1	Label – Foot Crush Hazard
16	91337	3	4	4	4	5/8-11 Locknut Type NE
17	90576	3	4	4	4	5/8 Hardened Washer
18	B61201	3	4	4	4	5/8-11 x 4-3/8 Spade Bolt G8
19	B61167	3	–	–	–	12-15/16 OAL x 2-3/8 OD x 3/8 Extension Spring
	23039	–	4	4	4	Trip Spring

G = Grade

A-FRAME & PIVOT BEAM PARTS — ALL MODELS

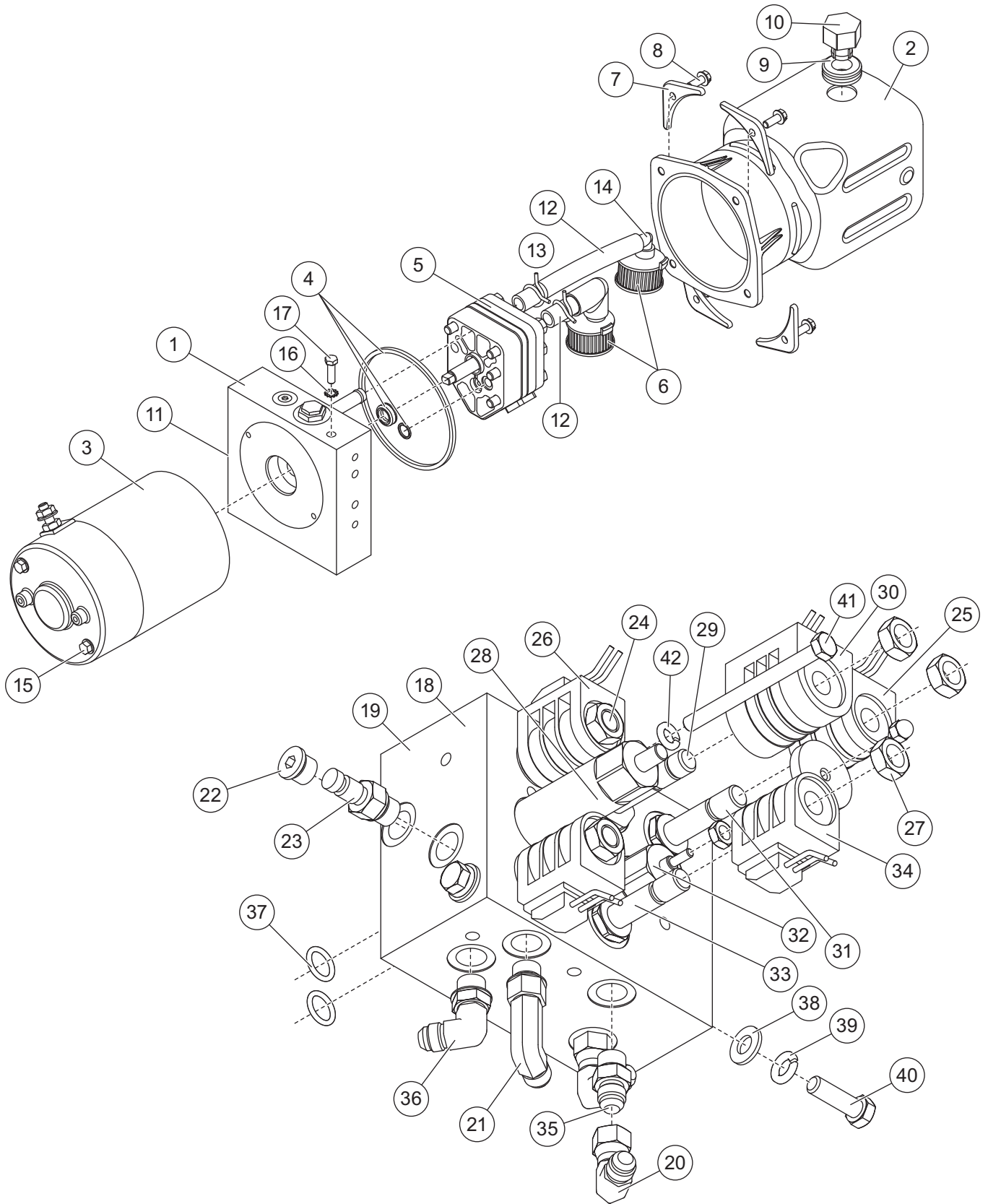


Item	Part	Qty		Description
		760LT	HD	
1	B52153	1	—	Pivot Beam
	B52151	—	1	Pivot Beam
2	90601	7	7	1/4 x 1-1/2 Cotter Pin
3A	B41039	1	1	Kickstand Assembly (incl. items 3–10)
3	B41047	1	1	Kickstand Foot
4	B41038	1	1	Kickstand Leg
5	90665	2	2	1/2-13 x 1-1/4 Hex Cap Screw G8
6	90572	2	2	1/2 Hardened Flat Washer
7	B52153	3	3	1/2-13 Locknut
8	42009	1	1	1/2-13 x 4-1/2 Hex Cap Screw G8
9	B61293	1	1	2 OAL x 1-1/8 OD x 53/64 ID Compression Spring
		G = Grade		SS = Stainless Steel

A-FRAME & PIVOT BEAM PARTS — ALL MODELS

Item	Part	Qty		Description
		760LT	HD	
10	B41037	1	1	1-1/8 OD x 53/64 ID x 3/8 Stepped Bushing
11	B50069	2	2	3/4 x 3 Clevis Pin
12	95739	4	4	3/4 x 5 Clevis Pin
13	B61331	1	–	1-8 x 8-1/2 Hex Cap Screw G8
	B61330	–	1	1-8 x 9 Hex Cap Screw G8
14	B61008	1	1	1-8 Top Locknut GC Distorted Thread
15	B60065	2	–	Hydraulic Cylinder, Snowplow Angle
	B60029	–	2	Hydraulic Cylinder, Snowplow Angle
16	B60091	2	2	3/8 x 24 Plow Angle Hydraulic Hose
17	56590	2	2	9/16-18 90° Adjustable Elbow Hydraulic Adapter ORB
18	B60236	1	–	Hydraulic Cylinder, Snowplow Raise/Lower
	B60255	–	1	Hydraulic Cylinder, Snowplow Raise/Lower
19	B82061	1	–	5/8 x 5-3/4 Clevis Pin
	B40124	–	1	3/4 x 6 Clevis Pin
20	B60273	1	1	Straight/45°, 3/8 x 17 Hydraulic Hose, Raise/Lower, Extend
21	B60272	1	1	9/16-18 45° Hydraulic Adapter Adjustable Elbow ORB
22	B60007	1	1	9/16-18 Hydraulic Adapter Male ORB
23	B60274	1	1	Straight/45°, 3/8 x 15 Hydraulic Hose, Raise/Lower, Retract
24	B61628	3	3	3/8-16 Clamping Knob
25	90097	2	2	3/8-16 x 3/4 Hex Cap Screw G5
26	29233	1	1	3/8 Washer Hardened
27	91333	1	1	3/8-16 Jam Locknut
28	B61629	1	1	3/8-16 x 2-1/8 Threaded Stud
29	B40004	1	1	Pump Mount Hinge
30	90043	1	1	3/8-16 x 2 Hex Cap Screw G5
31	B61034	1	1	3/8-16 Locknut
32	B62038	1	1	Toggle Switch DPDT (ON-OFF-ON) 16A/115V AC
33	B52154	1	–	A-Frame
	B40091	–	1	A-Frame
34	B61426	3	3	3/4 x 6 Hitch Pin
35	B61105	3	3	9/64 x 2-11/16 Hairpin Cotter
36	B40079	1	1	3/8 x 1-3/4 Pin SS
37	B61000	1	1	0.94 OAF L x 0.36 OD, 0.029 Wire Compression Spring SS
38	B61309	1	1	Standard Split Ring SS
39	90671	2	2	5/16-18 x 3/4 Hex Cap Screw G5
40	B61011	2	2	5/16 Split Lock Washer
41	B40088	2	2	A-Frame Pivot, Replaceable Bushing
42	B61295	1	1	Label – POWER HITCH™ Connect/Disconnect Switch
43	B40119	1	1	Hydraulic Pump and Manifold Cover
44	B63099	1	1	Hydraulic Hose Identification Guide Label
45	B61203	1	1	1" Washer
		G = Grade		SS = Stainless Steel

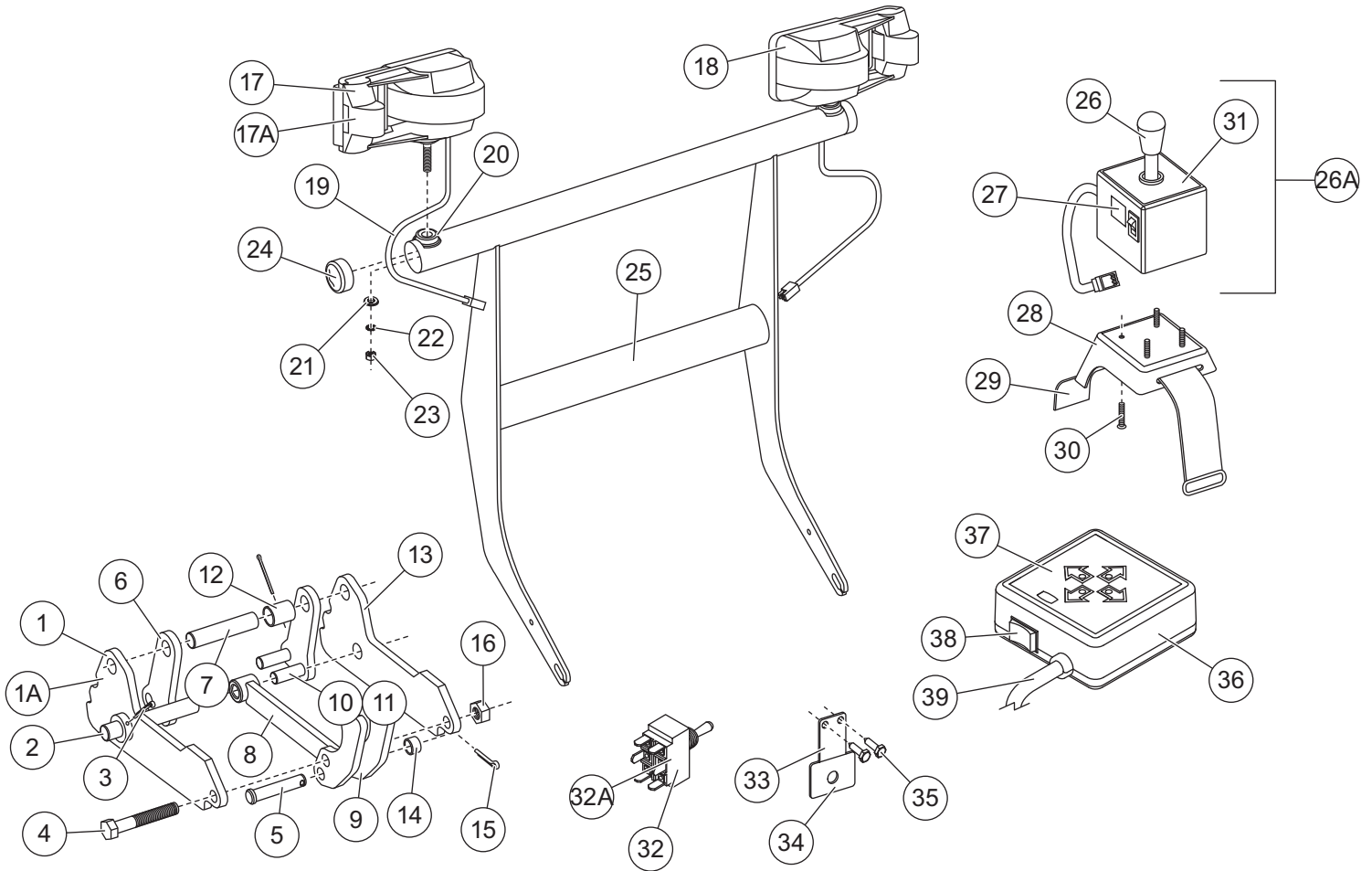
POWER UNIT PARTS — ALL MODELS



POWER UNIT PARTS — ALL MODELS

Item	Part	Qty	Description
1	B60402	1	Hydraulic Pump Assembly (incl. items 1–2 and 4–14 [MTE])
2	B60433	1	Reservoir
3	B60434	1	Motor, 12V DC
4	B60435	1	Seal Kit
5	B60436	1	Pump Assembly, 2.47cc/REV
6	B60437	2	Filter
7	B60438	4	Reservoir Clamp
8	B60439	4	Reservoir Screw
9	B60345	1	Grommet
10	B60346	1	Breather
11	B60440	1	Relief Valve Assembly
12	B60450	2	Tube, cut to length
13	B60442	1	Elbow
14	B60444	1	Elbow
15	21508	2	1/4-20 x 6-1/4 Coarse Thread Hex Cap Screw G5
16	B61307	1	3/8 Lock Washer, Internal/External Tooth, Zinc Plated
17	90097	1	3/8-16 x 3/4 Hex Cap Screw G8
ns	B60445	1	Brush Kit (for B60434 Motor)
18	B60270	1	Manifold Assembly (incl. items 17–23A, 24–26, 28–30, 32 and 33)
19	B60269	1	Manifold Block (with Cross Port Relief), Red Anodized Aluminum
20	B60006	2	9/16-18 90° Swivel Elbow Hydraulic Adapter
21	B60072	1	9/16-18 Male Extra Long Elbow Hydraulic Adapter
22	B60050	2	-6 Hollow Hex Plug
23	B60173	1	7/16-20 ORB Test Port Coupling
24	B60167	2	Spool Valve, 4-Way, 2-Position CC
25	B62148	1	Coil Harness Assy (incl. items 23, 27, 31, B62045, B62096, B62097, B62116 & B62117)
ns	B62045	1	Electric Connector, Male, Plastic
ns	B62096	15	Cable Seal, Silicone 18 ga, Orange
ns	B62097	5	Terminal, Male 18–16 ga
ns	B62116	5	Cavity Plug, Silicone 18–16 ga, White
ns	B62117	1	3/8 ID End Ring Terminal Copper, 8 ga
26	B62114	3	Coil, PDL 10V DC
27	B60052	5	1/2-20 Hex Jam Nut
28	B60168	1	Relief Valve 3000 psi
29	B60170	1	Spool Valve, 3-Way, 2-Position
30	B62115	1	Coil, DDL 10V DC
31	B60166	1	Spool Valve, 3-Way, 2-Position
32	B60169	1	Flow Control Valve
33	B60475	1	Two-Way Valve
34	B62176	1	Coil, PDL 12V DC, Delta (Waterproof, with O-rings)
35	B60007	2	9/16-18 Male ORB Hydraulic Adapter Connector
36	56590	1	9/16-18 90° Adjustable Elbow ORB Hydraulic Adapter
37	B60038	2	3/32 CSW 9/16 ID, 3/4 OD Neoprene, 70 Durometer O-Ring
38	29233	2	3/8 Hardened Washer
39	91203	2	3/8 Split Lock Washer
40	90055	2	3/8-16 x 1-1/4 Hex Cap Screw G8
41	B61010	2	5/16-18 x 3-3/4 Hex Cap Screw G8
42	B61011	2	5/16 Split Lock Washer
G = Grade			ga = gauge
			ns = not shown

LIGHTS, DRAW LATCH & CONTROL PARTS — ALL MODELS



Item	Part	Qty		Description
		760LT	HD	
1A	B82049	1	–	Draw Latch Assembly (incl. items 1–16)
	B40109	–	1	Draw Latch Assembly (incl. items 1–16)
1	B82035	1	–	Outer Draw Latch Plate – DS
	B40080	–	1	Outer Draw Latch Plate – DS
2	B82050	1	–	1 x 5-5/8 Draw Pin
	B40110	–	1	1 x 6-1/2 Draw Pin
3	B61363	2	2	3/16 x 2-1/2 Cotter Pin
4	B61200	1	–	3/4-10 x 4 Hex Cap Screw G8
	B61004	–	1	3/4-10 x 4-1/2 Hex Cap Screw G8
5	B82055	1	–	3/4 x 3-7/16 Clevis Pin
	66950	–	1	3/4 x 4 Clevis Pin
6	B82014	2	–	Inner Draw Latch Plate
	B40074	–	2	Inner Draw Latch Plate
7	40318	1	–	1 x 3-7/8 Draw Latch Mount Pin (to A-frame)
	B40070	–	1	1 x 4-21/32 Draw Latch Mount Pin (to A-frame)
8	B82054	1	–	Draw Latch Arm
	B40114	–	1	Draw Latch Arm
9	B82058	1	–	Draw Latch Finger
	B40123	–	1	Draw Latch Finger
		G = Grade		ns = not shown

LIGHTS, DRAW LATCH & CONTROL PARTS — ALL MODELS

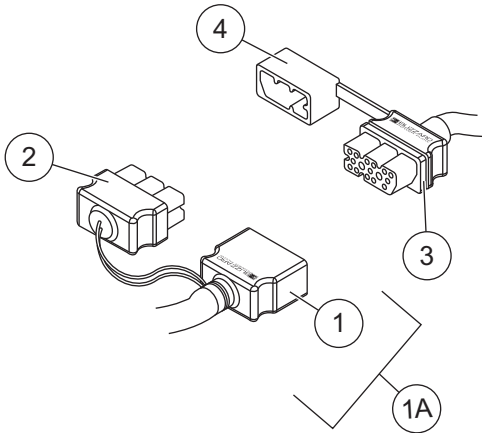
Item	Part	Qty		Description
		760LT	HD	
10	B82033	1	–	5/8 x 2-3/8 Inner Draw Latch Plate Pin/Hydraulic Cylinder Rod End
	B40042	–	2	3/4 x 2-1/2 Draw Latch Arm Pivot Pin/Hydraulic Cylinder Rod End
11	B82024	1	–	3/4 x 2-3/8 Draw Latch Pin Arm Pivot
12	B40093	1	1	1-1/4 OD x 1-1/16 ID x 1-1/2 Bushing
13	B82036	1	–	Outer Draw Latch Plate – PS
	B40081	–	1	Outer Draw Latch Plate – PS
14	B40116	1	1	1 OD x 25/32 ID x 5/8 Spacer
15	91911	1	1	5/32 x 1-1/2 Cotter Pin
16	B61006	1	1	3/4-10 Locknut
17A	B61106	1	1	Headlamp Assembly (incl. items 17–23 and B62061)
17	B62059	1	1	Headlamp – DS
18	B62060	1	1	Headlamp – PS
19	B62032	2	2	Harness (with 6-Pin Plug), Snowplow Headlamp Side
20	B61231	1	1	Adapter, Headlamp Ball Stud Mount
21	B61550	2	2	1/2 ID x 1 OD Washer Neoprene Backing Galvanized
22	90651	2	2	7/16 External Tooth Lock Washer
23	B61111	2	2	7/16-14 Hex Nut G8
ns	B62108	2	2	Lighting Harness Repair Kit, Harness Side
ns	B62061	2	2	Sealed Beam Halogen Headlamp (H6545/H4666)
ns	56099	1	1	Corrosion Preventive Compound
24	B61427	2	2	2-1/4 ID 2-3/8 OD x 3/4 Cap Black Vinyl
25	B39034	1	–	Light Tower
	B39032	–	1	Light Tower
26A	B62073	1	1	Control Station Assembly, Joystick (incl. items 26–31, B62185–B62190)
26	B62074	1	1	Control Station, Joystick
27	B63106	1	1	Label – Snowplow Power Switch, ON/OFF
28	B61185	1	1	Joystick Base Plate, Control Station, 1/8 ABS Plastic
29	B61127	1	1	61" Hook-and-Loop Fastener Strap with 2" Metal D-Ring, Black
30	B61254	4	4	8-32 x 3/4 Pan-Head Machine Screw
31	B61174	1	1	Label – Joystick Control Station
ns	B62185	1	1	Rocker Switch SPDT (ON-OFF-ON) Straight Blade Joystick Control
ns	B62186	1	1	Switch, Straight Blade Joystick Functions
ns	B62187	1	1	Relay, Straight Blade Joystick
ns	B62188	1	1	Switch Actuator
ns	B62189	1	1	Handle Kit, Straight Blade Joystick (incl. Shaft, Sleeve, E-Ring)
ns	B62190	1	1	Mounting Plate
32A	B62138	1	1	Snowplow/Vehicle Headlamp Toggle Switch Connection Kit (incl. items 32–35)
32	B62024	1	1	Toggle Switch DPDT (ON-OFF-ON) 20A/125V AC
33	B61041	1	1	Snowplow/Vehicle Headlamp Toggle Switch Bracket
34	B61088	1	1	Label – Snowplow/Vehicle Headlamp Toggle Switch Bracket
35	B61031	5	5	#12-14 x 3/4 Hex Screw Washer Self-Drilling
ns	B62127	1	1	Plow Light ON/OFF Switch Lead 24" (Green/Yellow) with two 1/4 Receptacles
36	B62142	1	1	Touchpad Control Station (incl. items 37–39)
37	B62192	1	1	Label – Touchpad Control, with Adhesive Pads
38	B62191	1	1	PC Board, Touchpad Control
39	B62202	1	1	Harness, Touchpad Control

G = Grade

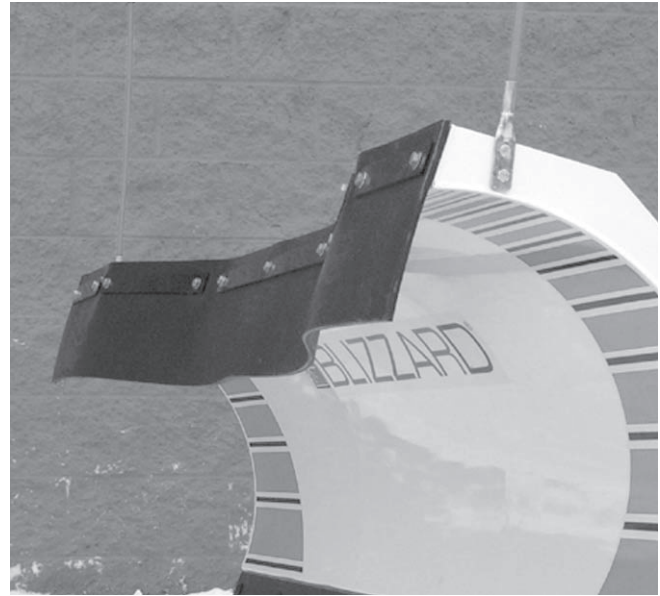
ns = not shown

HARNESSES, ACCESSORIES & KITS — ALL MODELS

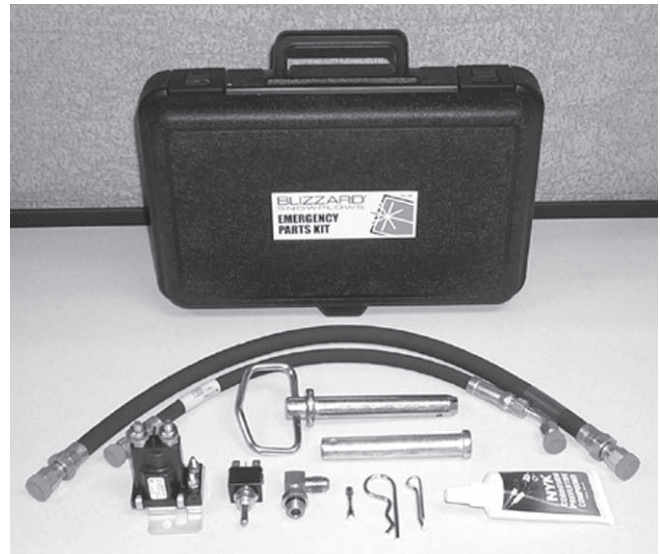
Accessory parts 1–4



5. The snowplow airfoil helps channel air flow to your truck radiator during the long haul over the road. Mounted front and center, our custom airfoil redirects air over the top of the blade and into the grille of your vehicle. The airfoil is shipped with complete mounting hardware.



6. Rugged and durable, the 3/8" thick, 2-ply rubber snow deflector keeps snow off your windshield and in its place—on the ground! One-piece design allows for wing clearance and provides optimum snow deflection. The deflector is shipped with complete mounting hardware.

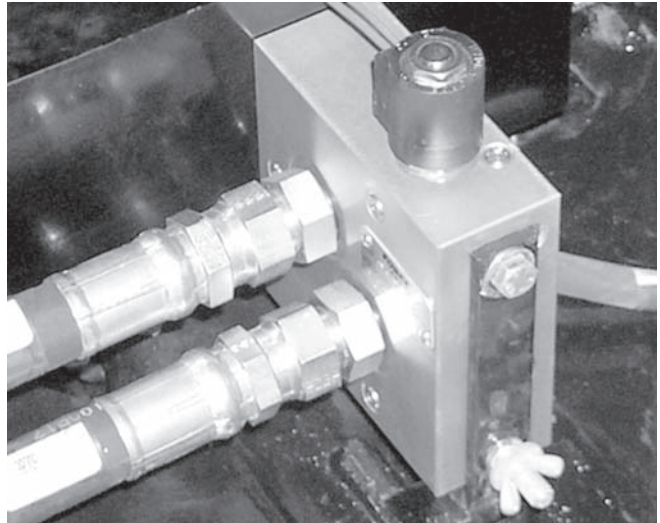


7. The emergency parts kit includes the most common replacement parts: angle cylinder hose, lift cylinder hose, hitch pin with hairpin cotter, angle cylinder clevis pin with cotter, 90° angle cylinder fitting, solenoid, POWER HITCH™ toggle switch, corrosion preventive compound (2 oz) and 10 A fuse. The compact and durable plastic case (13.5" x 9" x 3.3") allows for easy storage behind or under your seat.

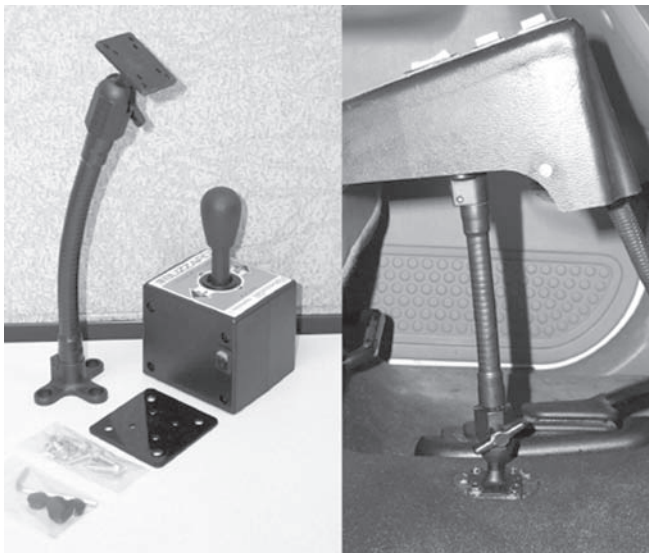
HARNESSES, ACCESSORIES & KITS — ALL MODELS



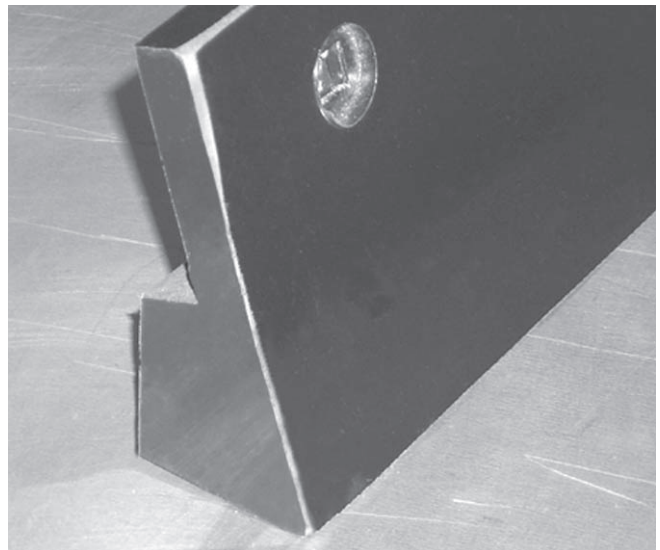
8. BLIZZARD® Rapid Action Hydraulic Fluid is specially formulated for use in BLIZZARD snowplows and can significantly enhance the operation and performance of the hydraulic system. BLIZZARD zinc-free hydraulic fluid maintains its viscosity to temperatures as low as -25°F. BLIZZARD hydraulic fluid is available by the quart, gallon or 55-gallon drum.



10. Experience increased power and speed in all of the snowplow hydraulic functions with this easy-to-install add-on central hydraulic valve block! The auxiliary manifold attaches right up to the existing manifold and pump bracket without any modifications needed. Manifold provides up to 30 gpm input (4000 psi max.) from the vehicle pump and 2-3 gpm output (2500 psi max.) to the existing hydraulic manifold. Hydraulic hoses, fittings and pump not included.



9. Our easy-to-install, adjustable pedestal mount kit will position either straight blade control station how you want it! Ideal for bucket seat vehicles with low center consoles. Pedestal accessory shipped with complete hardware and adapter plate.

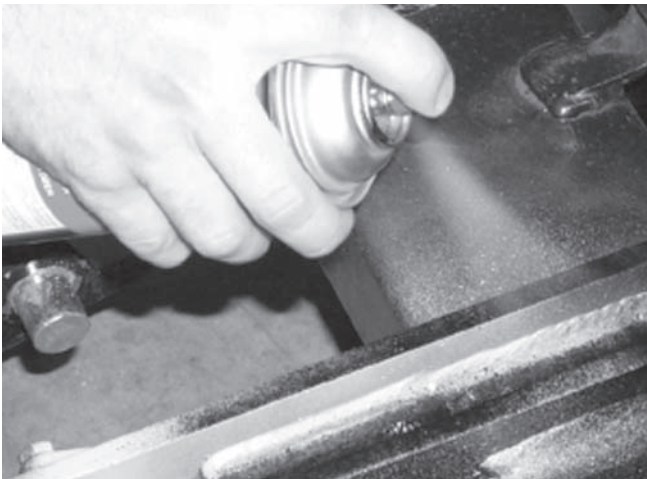


11. Durable and long lasting, polyurethane moldboard cutting edges will keep you plowing longer and safer! Specially formulated for snow plowing applications, BLIZZARD poly edges resist gouging, provide superior wear life and effectively reduce plowing noise. Ideal for all plowing conditions. Edges are shipped with mounting hardware.

HARNESSES, ACCESSORIES & KITS — ALL MODELS

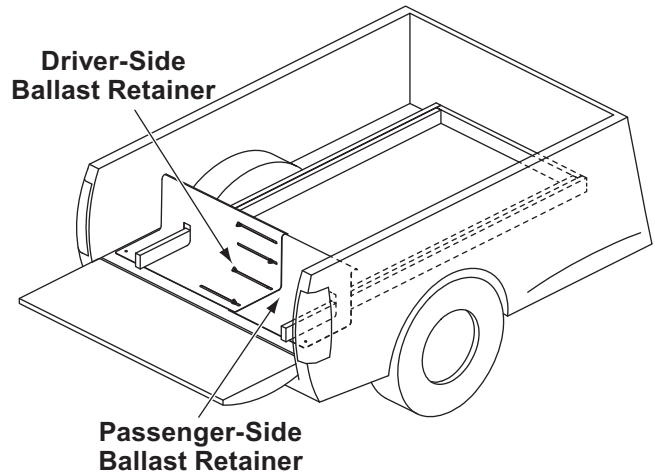


12. This adjustable bracket mounts easily to your straight blade joystick control and installs quickly onto any door panel. Ideal for left-hand joystick operation or for vehicles with center consoles. The window mount bracket is shipped complete with hardware. Some assembly required.



13. Putting your snowplow away for the winter? Have a deep scratch to cover? Clean up your blade and snowplow parts with our gloss spray paints. BLIZZARD® touch-up paint provides an excellent finish to help keep your snowplow looking its best. Paint provided in 12-oz spray cans.

14. Ballast (additional weight) is an important part of qualifying vehicles for snowplow eligibility. Rear ballast must be used when necessary to remain in compliance with axle ratings and ratios as specified by the vehicle manufacturer. If ballast is required, it is important that it be secured properly behind the rear axle. A ballast retainer kit is available from your BLIZZARD outlet, PN 62849.



NOTE: The ballast retainer kit is for snowplow vehicles requiring ballast. See your BLIZZARD outlet for the correct amount of ballast required. Include the weight of the retainer as part of the ballast requirement. Sand bags are recommended for use as ballast.

HARNESSES, ACCESSORIES & KITS — ALL MODELS

Item	Part	Qty				Description
		760LT	760HD	800HD	860HD	
1A	B62039	1	1	1	1	Harness Assembly, Snowplow (incl. items 1–2, B62046, B62093, B61439, B62167)
1	B62057	1	1	1	1	Harness, Snowplow
2	B62001	1	1	1	1	Weather Cap, Rubber – Snowplow Side
ns	B62046	1	1	1	1	Electric Connector, Female, Plastic
ns	B62093	10	10	10	10	Terminal, Female 18–16 ga
ns	B61439	2	2	2	2	Cable Tie 15", Black
ns	B62167	1	1	1	1	Harness, Diode Loop
3	B62150	1	1	1	1	Harness, Vehicle
4	B62000	1	1	1	1	Weather Cap, Rubber – Vehicle Side
ns	B62124	1	1	1	1	1/4 x 1-1/4 BUSS ARC Fuse 15A/32V
ns	B62212	1	1	1	1	Main Lighting Harness
ns	B62035	2	2	2	2	Weather Cap, Rubber, Lighting Harness
ns	B62144	4	4	4	4	Headlamp Relay, CB1-D-12V
ns	B80051	1	–	–	–	Power Contactor (Solenoid), 12V Continuous
ns	B62178	–	1	1	1	Power Contactor (Solenoid), 12V DC 225A
ns	B62056	1	1	1	1	Ground Wire, Power Contactor, 24"
ns	B62072	4	4	4	4	End Ring Terminal 3/8 ID, Copper 4 ga
ns	B62008	1	1	1	1	Fuse Clip, Mini
ns	B62009	1	1	1	1	Fuse Clip, Auto Blade
ns	B62016	4	4	4	4	Connector, Splice Lock 18–14 ga
ns	B61031	3	3	3	3	#12-14 x 3/4 Hex Cap Screw Washer Self-Drilling
5	B81041	1	–	–	–	Snowplow Airfoil
	B52093	–	1	1	1	Snowplow Airfoil
6	B61243	1	–	–	–	Rubber Snow Deflector with Hardware
	B61242	–	1	–	–	Rubber Snow Deflector with Hardware
	B61260	–	–	1	–	Rubber Snow Deflector with Hardware
	B61545	–	–	–	1	Rubber Snow Deflector with Hardware
7	B63074	1	1	1	1	Emergency Parts Kit
8	B63070	1	1	1	1	BLIZZARD® Rapid Action Hydraulic Fluid (1 quart)
	B63072	1	1	1	1	BLIZZARD Rapid Action Hydraulic Fluid (1 gallon)
	B63091	1	1	1	1	BLIZZARD Rapid Action Hydraulic Fluid (drum – 55 gallons)
9	B63078	1	1	1	1	Pedestal Mount Kit
10	B60310	1	1	1	1	Central Hydraulic Valve Block
11	B61544	1	1	–	–	Polyurethane Moldboard Cutting Edges (with Hardware)
	B61543	–	–	1	–	Polyurethane Moldboard Cutting Edges (with Hardware)
	B61542	–	–	–	1	Polyurethane Moldboard Cutting Edges (with Hardware)
12	B61261	1	1	1	1	Window Mount Bracket, Straight Blade Joystick
13	B61219	1	1	1	1	BLIZZARD High Performance Spray Paint (12 oz), Gloss White
	B63073	1	1	1	1	BLIZZARD High Performance Spray Paint (12 oz), Gloss Black
14	62849	1	1	1	1	Ballast Retainer Kit
ns	B61354	1	–	–	–	Hardware Kit, Snowplow Assembly Parts
ns	B61353	–	1	1	1	Hardware Kit, Snowplow Assembly Parts

ns = not shown

ga = gauge

HARNESSES, ACCESSORIES & KITS — ALL MODELS

Item	Part	Qty				Description
		760LT	760HD	800HD	860HD	
ns	B60276	1	1	1	1	Hydraulic Adapter Kit (incl. items B60005 [3], B60006 [2], B60007 [3], B60072 and B60272)
ns	B60281	1	1	1	1	Hydraulic Hose Kit (incl. items B60091 [2], B60273 and B60274)
ns	B61255	1	1	1	1	Hardware Kit, Moldboard Cutting Edge
ns	B61256	1	–	–	–	Moldboard Cutting Edge Kit with Hardware
ns	B61258	–	1	–	–	Moldboard Cutting Edge Kit with Hardware
ns	B61259	–	–	1	–	Moldboard Cutting Edge Kit with Hardware
ns	B61532	–	–	–	1	Moldboard Cutting Edge Kit with Hardware
ns	B60360	1	1	1	1	Combo Seal Kit, Cylinder B60029/B60065
ns	B60368	1	–	–	–	Combo Seal Kit, Cylinder B60236
ns	B60371	–	1	1	1	Combo Seal Kit, Cylinder B60255
ns	B62195	1	1	1	1	Headlamp Kit B61106 (Sealed Beam, Rim, Spacer Bumpers [4], Screws [4])
ns	B62196	1	1	1	1	Headlamp Kit B61106, Signal (Lamp, Turn Signal Lens, Gasket, Screws [2])
ns	96023	1	–	–	–	Moldboard Label Pack
ns	96322	–	1	–	–	Moldboard Label Pack
		ns = not shown				ga = gauge



Blizzard
PO Box 245038
Milwaukee, WI 53224-9538
www.blizzardplows.com

 A DIVISION OF DOUGLAS DYNAMICS, L.L.C.



Copyright © 2012 Douglas Dynamics, L.L.C. All rights reserved. This material may not be reproduced or copied, in whole or in part, in any printed, mechanical, electronic, film or other distribution and storage media, without the written consent of Blizzard. Authorization to photocopy items for internal or personal use by Blizzard outlets or snowplow owner is granted.

Blizzard reserves the right under its product improvement policy to change construction or design details and furnish equipment when so altered without reference to illustrations or specifications used. Blizzard or the vehicle manufacturer may require or recommend optional equipment for snow removal. Do not exceed vehicle ratings with a snowplow. This product is manufactured under the following U.S. patents: 5,420,480; 5,638,618; 5,899,007; 6,178,669; 6,253,470; 6,276,076; 6,393,737; 6,408,549; 6,412,199; 6,442,877; 6,615,513; 7,134,227; 7,430,821; CAN patents 2,184,922; 2,229,783; 2,259,508; 2,358,145; 2,358,354; 2,466,195; and other patents pending. Blizzard offers a limited warranty for all snowplows and accessories. See separately printed page for this important information. The following are registered (®) or unregistered (™) trademarks of Douglas Dynamics, L.L.C.: BLIZZARD®, POWER HITCH™.

Printed in U.S.A.