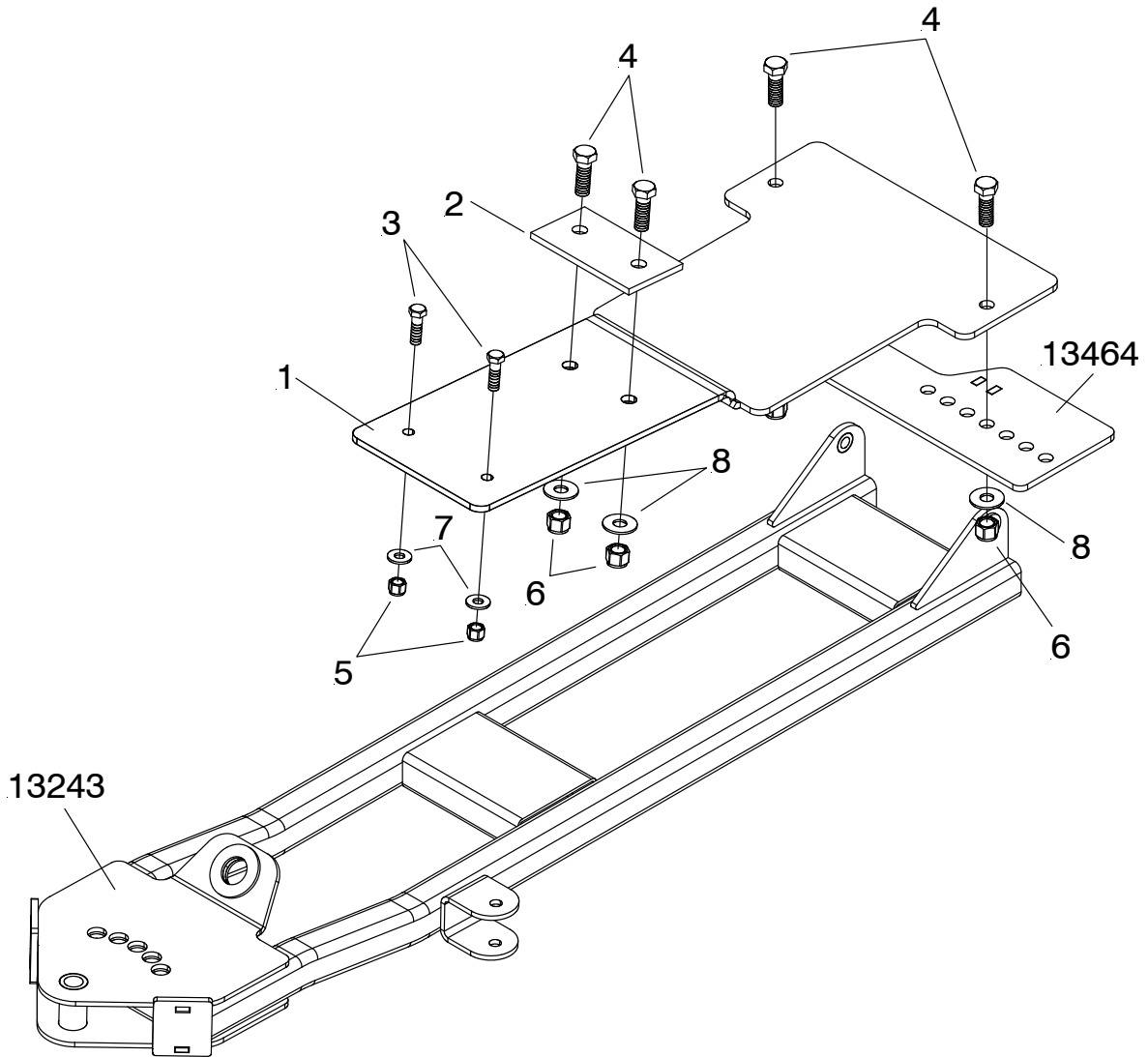


Meyer Path Pro™ Moldboard

Model PP-50", PP-60" & PP-72"

08913 Polaris RZR Universal Mounting Instruction



Parts List

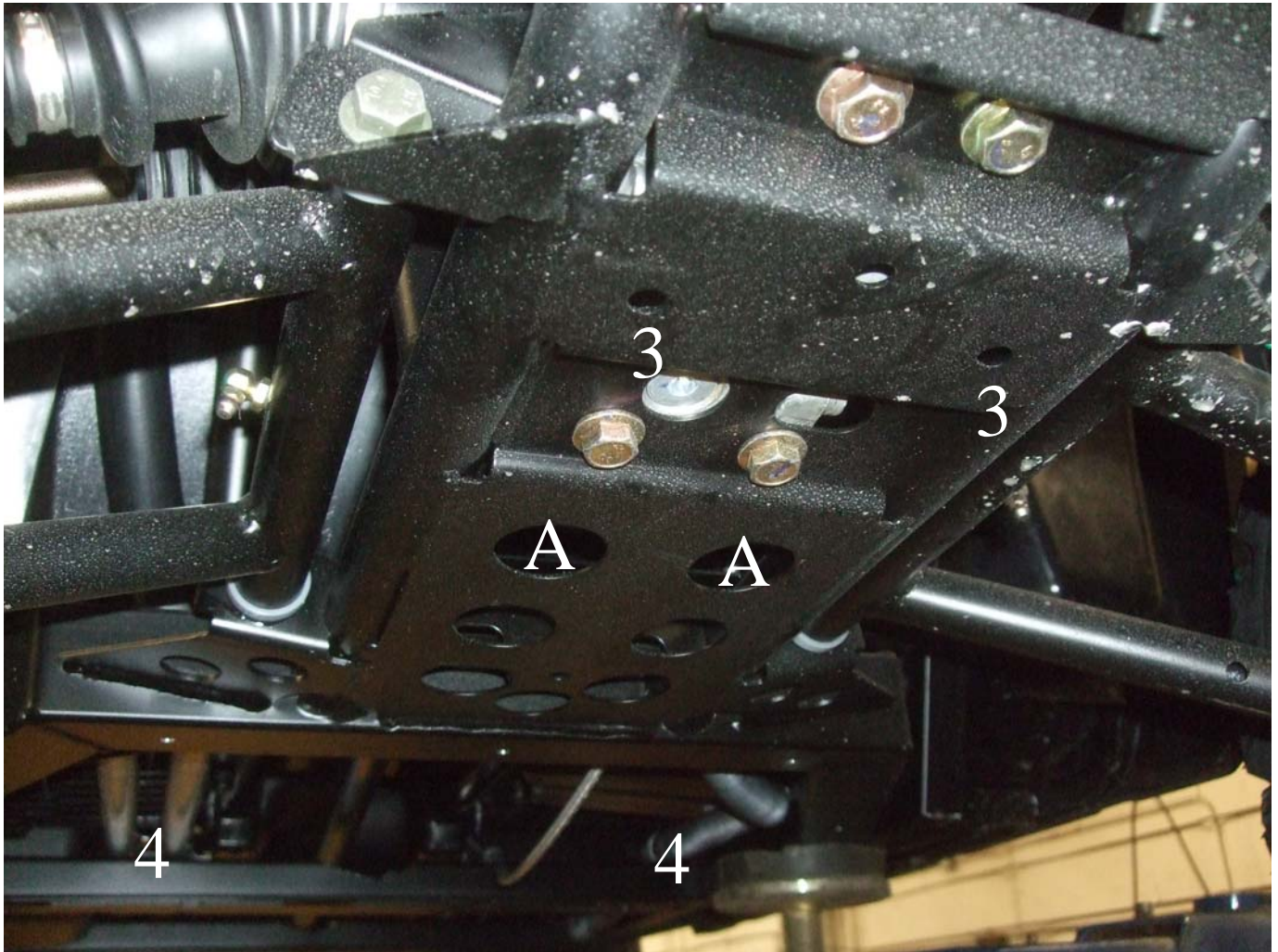
Item	Part No.	Qty.	Description
	08913	1	Polaris RZR Mounting Carton
1	13476	1	• RZR Mounting Plate
2	13477	1	• RZR Mounting Plate Support
	08348		• Polaris RZR Hardware Bag
3	20066	2	• Bolt H 3/8-16 x 1-3/4" Gr. 5
4	20095	4	• Bolt H 1/2-13 x 1-1/2" Gr. 5
5	20305	2	• Locknut 3/8-16
6	20307	4	• Locknut 1/2-13
7	20353	2	• Flatwasher 3/8"
8	20355	4	• Flatwasher 1/2"

Parts indented are included in the assembly under which they are indented.

Meyer Products LLC reserves the right, under its continuing product improvement program, to change construction or design details, specifications and prices without notice or without incurring any obligation.

POLARIS RZR MOUNT ASSEMBLY INSTRUCTIONS

- A. If equipped, remove the bottom skid plate from RTV and retain.
- B. Drop in Bolts 3/8-16 x 1-3/4 (3) and Bolts 1/2-13 x 1-1/2 (4) thru top of the RZR frame as shown on picture below. Attach RZR mounting plate (1) to RZR using 3/8 flatwasher (7) and 3/8-16 Locknuts (5) onto bolt (3). Use 1/2 flatwashers (8) and 1/2-13 Locknut (6) onto bolt (4). Leave loose, do not tighten at this time.
- C. Slide in plate support (2) with Bolts 1/2-13 x 1-1/2 (4) on top of RZR frame thru holes marked "A" on picture below. The RZR frame will be sandwiched between RZR mounting plate (1) and plate support (2). Attach 1/2 flatwashers (8) and 1/2-13 Locknut (6) onto bolt (4).
- D. Tighten all bolts to proper torque using torque chart below.
- E. See owners manual for plow assembly and attachment to the RZR.



TORQUE CHART FOOT

Bolt Nut Size	Gr. 2	Gr. 5	Gr. 8
1/4 - 20	4 - 5		
5/16 - 18	9 - 11		
3/8 - 16	17 - 20	26 - 29	
7/16 - 14		42 - 46	60 - 66
1/2 - 13		64 - 72	90 - 100
5/8 - 11		127 - 141	179 - 198