



PARTS & INSTALLATION INSTRUCTIONS

1997 & Later NISSAN Terrano II

4 x 4 Vehicles

IMPORTANT NOTICE

End user must be given this instruction sheet prior to delivery of this Snow Plow.

The equipment you have just purchased should only be used on vehicles equipped with the Manufacturer's Snow Plow Preparation Packages. Snow Plowing without the original Snow Plow Preparation Package may damage your vehicle and the added weight to the equipment may impair the operation and control of the vehicle. Snow Plowing with a vehicle that the manufacturer does not recommend for that purpose may void your new vehicle warranty. If your vehicle is not originally equipped with the Snow Plow Package, additional parts may be necessary before snow plowing. Owners of these vehicles should consult their dealers before purchase or installation of such parts. CAUTION: the installation, on any vehicle, of these parts is not a full substitute for the original equipment Snow Plow Preparation Package.

Warning: Lift Arm extends beyond bumper of vehicle. To minimize damage from a front-end collision, Lift Arm should be removed from vehicle when Snow Plow is removed.

Mounting Carton L/PAF 18105 / Mounting Carton W/PAF 18106DP

Parts List

Item	Part No.	PartNo.	Qty.	Description
	18105	18106DP	1	Mounting Carton
1	11960	11960	1	• Clevis Frame
2	10514	10514	1	• Lift Arm
	-----	12978	2	• Trip Spring
	-----	12959	1	• Pivot Bar
	-----	13778	1	• A-Frame
3	11462	11462	2	• Receiver Tube Cap-TM
	08754	08754	1	Hardware Bag
4	11006	11006	2	• Hinge Pin
5	22138	22138	4	• Bolt H M12 x 1.25 x 40mm Gr.8.8
6	20106	20106	2	• Bolt H 1/2-13 x 4-1/2" Gr.5
7	20140	20140	2	• Bolt H 5/8-11 x 1-3/4" Gr. 5
8	20144	20144	1	• Bolt H 5/8-11 x 2-3/4" Gr. 5
9	20146	20146	2	• Bolt H 5/8-11 x 3-1/4" Gr. 5
10	20307	20307	2	• Locknut 1/2-11
11	20309	20309	5	• Locknut 5/8-11
12	20355	20355	8	• Flatwasher 1/2"
13	11140	11140	2	• Washer Plate 5/8"
14	21984	21984	2	• Hair Pin Cotter
	08626	08626	1	• Kit: Light Elevation
15	11368	11368	2	•• Bracket
16	20095	20095	2	•• Bolt 1/2-13 x 1-1/2" Gr. 5
17	20307	20307	2	•• Locknut Esna 1/2-13
	-----	08156	1	• Snow Plow Hardware Bag
	-----	08852	1	• Marker Kit
18	11275	11275	1	Lift Frame

Parts indented are included in the assembly under which they are indented.

Meyer Products reserves the right, under its continuing product improvement program, to change construction or design details, specifications and prices without notice or without incurring any obligation.

Meyer Products LLC 18513 Euclid Ave. • Cleveland, Ohio 44112-1084 Phone 486-1313 (Area Code 216) www.meyerproducts.com • email info@meyerproducts.com
--



Meyer Products LLC 6 Angell Lane • Damariscotta, ME 04543-4507 Phone 563-2227(Area Code 207) www.meyerproducts.com • email info@meyerproducts.com
--

GENERAL INFORMATION

CAUTION: Always disconnect battery before beginning installation.

DO NOT BURN holes or **WELD** vehicle frame. This may cause frame failure.

After first use, retighten all mounting bolt connections to specified torque. All mounting bolt connections to be checked periodically for tightness.

Locknuts are furnished **DO NOT** tighten bolts and nuts until installation is complete (unless otherwise specified), then be sure to tighten all attaching parts per specified torque chart.

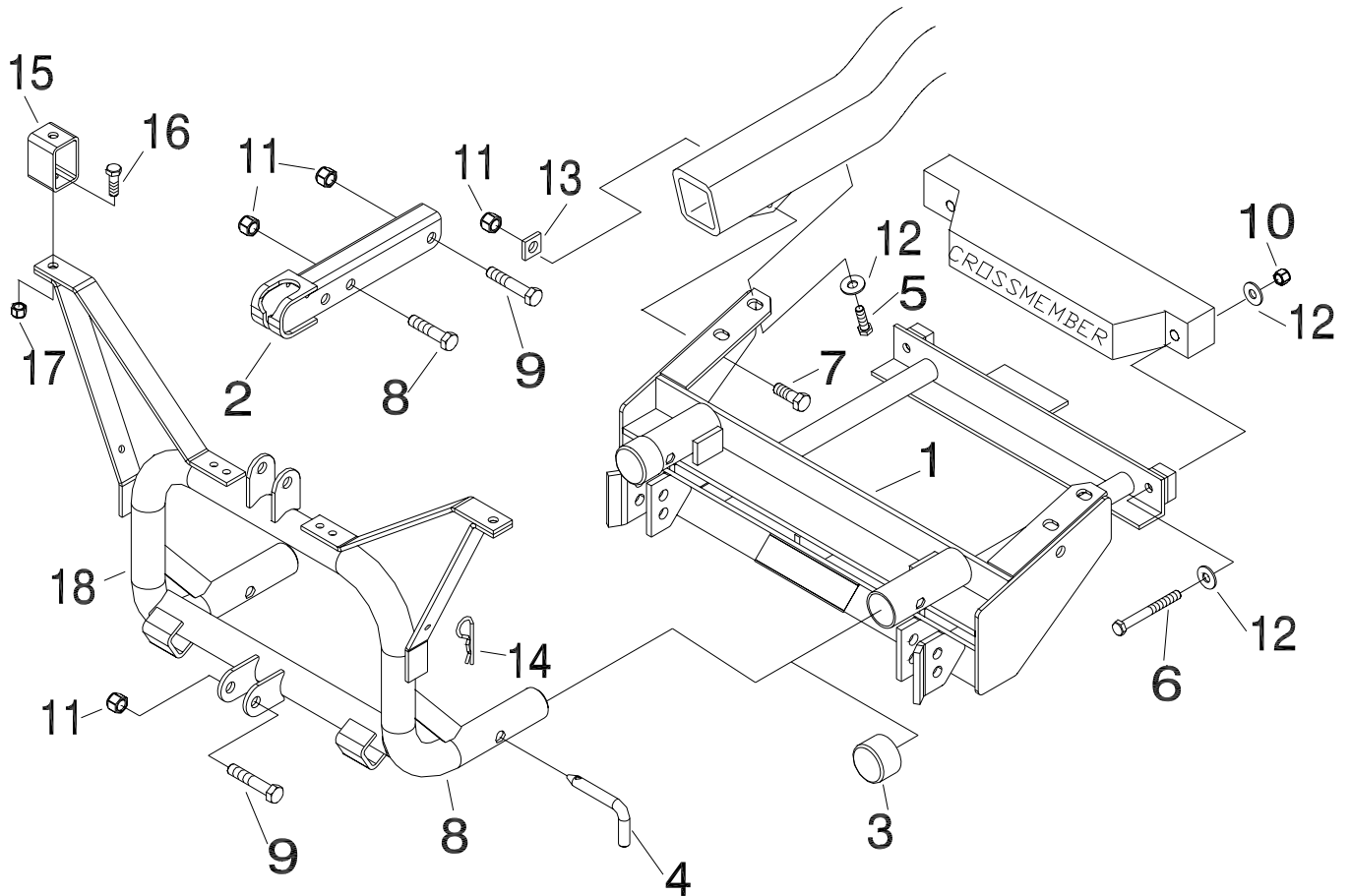
Follow these instructions explicitly. Warranty does not apply to a Meyer product which has been negligently or improperly assembled or installed.

NOTE: It is important that the Meyer harness, all wires from the Meyer light switch, and all other electrical wires be routed around hot or moving engine parts, and any sharp metal. Protection must be provided to guard against wire damage at these points. All excess or loose wires must be neatly secured using wire ties.

Check contents against the parts list to determine all are correct and included, and also to familiarize yourself with them.

SAFETY PRECAUTIONS should be used when **Hydraulic Unit is in OPERATION** and plow is in a **RAISED** position. **Lower plow to ground when vehicle is PARKED.**

OVERHAUL and **SERVICE INFORMATION** are covered on separate instructions.



INSTALLATION INSTRUCTIONS

- A. Remove the innermost bolt on both sides of the vehicle's rear crossmember (Bolts are approximately 485mm center to center for reference). Retain all hardware, it will not be reused.
- B. Position Clevis Frame (1) under the front of the frame and align the clevis' top slots to the threaded holes on the bottom side of the frame rails. Attach Clevis Frame using two M12 x 1.25 x 40 mm bolts (5), and 1/2" flatwashers (12) on each side. Do not tighten at this time.
- C. Attach the side hole in Clevis Frame (1) to the pull tab on each side of the frame using a 5/8-11 x 1-3/4 bolt (7), 5/8 washer plate (13), and 5/8 locknut (11) on each side. Do not tighten at this time.
- D. Attach the two rear holes in Clevis Frame (1) to the vehicle cross member where bolts were removed in step A using 1/2-13 x 4-1/2 bolts (6), 1/2" flatwashers (12), and 1/2" locknuts (10).
- E. Push Clevis back and tighten all fasteners to their proper torque. Tighten bolts in the same order they were assembled to the vehicle.




Note: Before installing lift frame tubing to clevis frame, liberally coat ends of lift frame with chassis grease anti-seize lubricant.

- F. Install Lift Frame (18) into the tubes on the Clevis Frame.
- G. Secure Lift Frame (18) to Clevis Frame using Hinge Pin (4) and Hair Pin Cotter (11).
- H. Attach lift arm (2) to lift frame (18) using 5/8-11 x 3-1/4 bolt (9) and 5/8 locknut (11). Mount Hydraulic unit to lift frame using 5/8-11 x 3-1/4 bolt (9) and 5/8 locknut (11), and to lift arm (2) using 5/8-11 x 2-3/4 bolt (8) and 5/8 lock nut (11). **(SEE LIFT ARM WARNING)**

- I. Install Light Extensions (15) Part No. 08626 using 1/2-13 x 1-1/2 bolt (16) and locknut (17).
- J. Install hydraulic system and snow plow lights per separate instructions.
- K. Pre-Assemble Snow Plow Assembly, A-frame and Pivot Bar per separate instructions.
- L. Attach the A-Frame chain to the Lift Arm (2) allowing sufficient slack to enable the Snow Plow to follow ground contour while plowing.

Note: When the lift frame module (18) is removed from the vehicle, the insides of the clevis frame (1) receiver tubes and outside ends of the lift frame should be coated with chassis grease / anti-seize lubricant and the protective receiver tube caps (3)

TORQUE CHART FOOT LBS.

Bolt Nut Size	Gr. 2 	Gr. 5 	Gr. 8 
1/4 - 20	4 - 5		
5/16 - 18	9 - 11		
3/8 - 16	17 - 20	26 - 29	
7/16 - 14		42 - 46	60 - 66
1/2 - 13		64 - 72	90 - 100
5/8 - 11		127 - 141	179 - 198
3/4 - 10		227 - 251	

Meyer Products assumes no responsibility for installations not made in accordance with these instructions.