



PARTS & INSTALLATION INSTRUCTIONS

MEYER SNOW PLOW MOUNTING

1998 & Later Nissan Frontier 4 x 4 Vehicles

IMPORTANT NOTICE

Vehicles with Snow Plows installed may be so equipped as to meet vehicle manufacturers' specifications and recommended options. Most vehicle manufacturers insist that vehicles which are to be used for plowing be equipped with certain options and accessories, and it is so stated in vehicle manufacturer specifications for snow plow application. **WARNING: DO NOT INSTALL A SNOW PLOW ON A VEHICLE THAT IS NOT RECOMMENDED FOR SNOW PLOW APPLICATION BY THE VEHICLE MANUFACTURER. DOING SO MAY BE DANGEROUS AND WILL VOID THE MEYER / DIAMOND WARRANTY. PLEASE CONTACT YOUR VEHICLE MANUFACTURER, MEYER PRODUCTS, OR YOUR NEAREST AUTHORIZED MEYER OR DIAMOND DISTRIBUTOR IF YOU HAVE ANY QUESTIONS ABOUT APPLICATIONS.**

Warning: Lift Arm extends beyond bumper of vehicle. To minimize damage from a front-end collision, Lift Arm should be removed from vehicle when snow plow is removed.

Mounting Carton W/PAF 18088DP / Mounting Carton L/PAF 18087

Parts List

| Item | Part No. | PartNo. | Qty | Description |
|------|--------------|----------------|-----|------------------------------------|
| | 18087 | 18088DP | | Mounting Carton |
| 1 | 11715 | 11715 | 1 | • Clevis Frame Weldment |
| 2 | 11713 | 11713 | 1 | • L. H. Angle |
| 3 | 11714 | 11714 | 1 | • R. H. Angle |
| 4 | 11709 | 11709 | 2 | • Side Strap |
| | ----- | 12959 | 1 | • Pivot Bar |
| | ----- | 13778 | 1 | • A-Frame |
| 5 | 10514 | 10514 | 1 | • Lift Arm |
| | 08626 | 08626 | | Kit: Light Elevation |
| 6 | 11368 | 11368 | 2 | • Bracket |
| 7 | 20095 | 20095 | 2 | • Bolt 1/2-13 x 1-1/2 Gr. 5 |
| 8 | 20307 | 20307 | 2 | • Locknut Esna 1/2-13 |
| | 08725 | 08725 | 1 | Hardware Bag |
| 9 | 11006 | 11006 | 2 | • Hinge Pin |
| 10 | 20142 | 20142 | 2 | • Bolt H 5/8-11 x 2-1/4 Gr. 5 |
| 11 | 20144 | 20144 | 3 | • Bolt H 5/8-11 x 2-3/4 Gr. 5 |
| 12 | 20146 | 20146 | 2 | • Bolt H 5/8-11 x 3-1/4 Gr. 5 |
| 13 | 22158 | 22158 | 4 | • Bolt H M10 x 1.25 x 40mm Gr. 8.8 |
| 14 | 22138 | 22138 | 2 | • Bolt H M12 x 1.25 x 40mm Gr. 8.8 |
| 15 | 20309 | 20309 | 7 | • Locknut 5/8-11 |
| 16 | 20354 | 20354 | 4 | • Flatwasher 7/16 |
| 17 | 20355 | 20355 | 2 | • Flatwasher 1/2 |
| 18 | 20357 | 20357 | 8 | • Flatwasher 5/8 |
| 19 | 21990 | 21990 | 4 | • Lockwasher 12mm |
| 20 | 21991 | 21991 | 2 | • Lockwasher 12mm |
| 21 | 11140 | 11140 | 2 | • Spacer Plate 5/8 |
| 22 | 21984 | 21984 | 2 | • Hair Pin Cotter |
| 26 | 11462 | 11462 | 2 | • Receiver Tube Cap-TM |
| | ----- | 08156 | 1 | • Snow Plow Hardware Bag |
| 27 | 11545 | 11545 | 1 | Lift Frame |

Parts indented are included in the assembly under which they are indented.

Meyer Products LLC reserves the right, under its continuing product improvement program, to change construction or design details, specifications and prices without notice or without incurring any obligation.

Meyer Products LLC
18513 Euclid Ave. • Cleveland, Ohio 44112-1084
Phone 486-1313 (Area Code 216)
www.meyerproducts.com • email info@meyerproducts.com



Meyer Products LLC
6 Angell Lane • Damariscotta, ME 04543-4507
Phone 563-2227 (Area Code 207)
www.meyerproducts.com • email info@meyerproducts.com

GENERAL INFORMATION

CAUTION: Always disconnect battery before beginning installation.

DO NOT BURN holes or **WELD** vehicle frame. This may cause frame failure.

After first use, re-tighten all mounting bolt connections to specified torque. All mounting bolt connections to be checked periodically for tightness.

Locknuts are furnished **DO NOT** tighten bolts and nuts until installation is complete (unless otherwise specified), then be sure to tighten all attaching parts per specified torque chart.

NOTE: It is important that the Meyer harness, all wires from the Meyer light switch, and all other electrical wires be routed around hot or moving engine parts, and any sharp metal. Protection must be provided to guard against wire damage at these points. All excess or loose wires must be neatly secured using wire ties.




Check contents against the parts list to determine all are correct and included, and also to familiarize yourself with them.

SAFETY PRECAUTIONS should be used when **Hydraulic Unit is in OPERATION** and plow is in a **RAISED** position. **Lower plow to ground when vehicle is PARKED.**

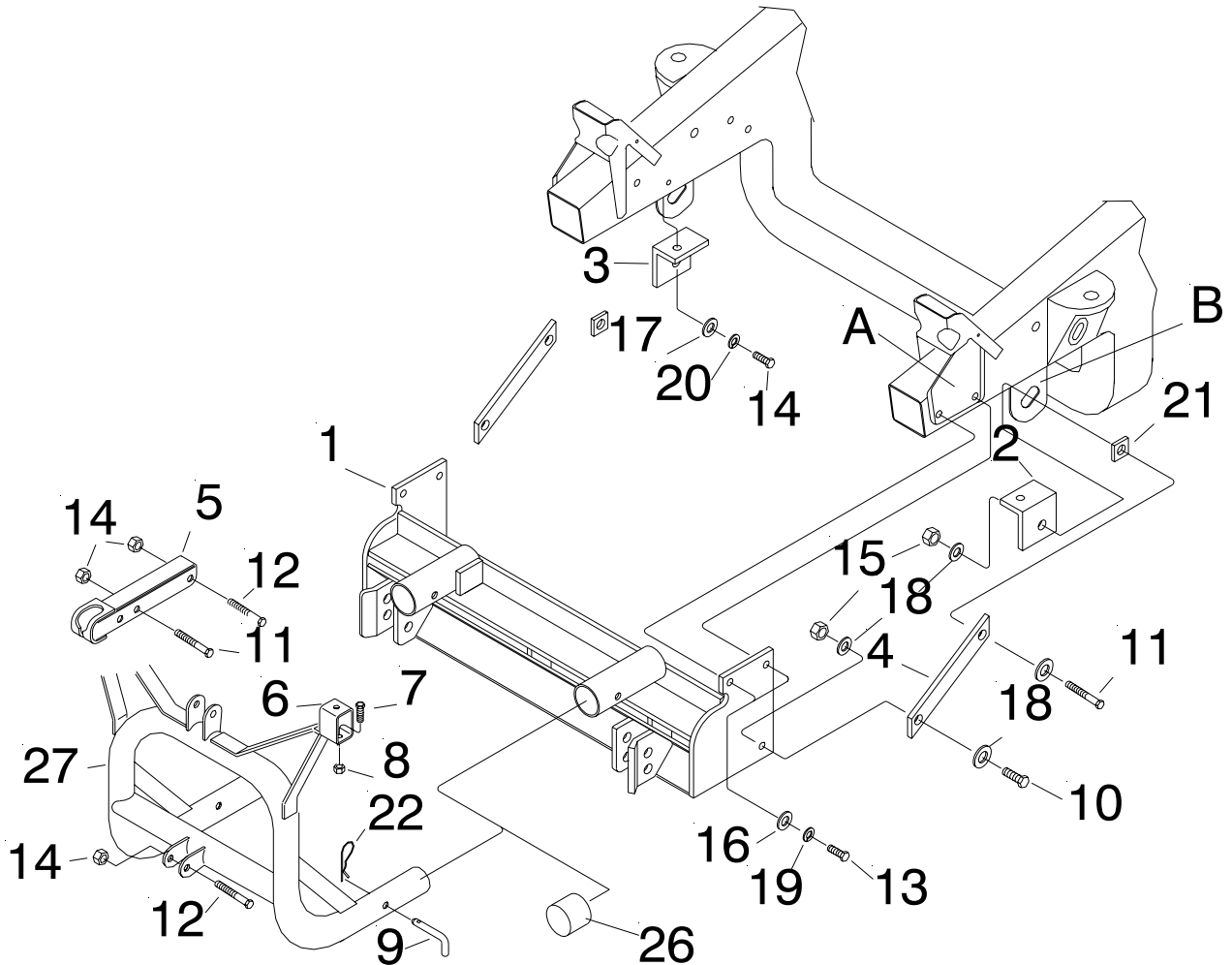
OVERHAUL and **SERVICE INFORMATION** are covered on separate instructions.

Follow these instructions explicitly. Warranty does not apply to a Meyer product which has been negligently or improperly assembled or installed.

TORQUE CHART FOOT LBS.

| Bolt Nut Size | Gr. 2  | Gr. 5  | Gr. 8  |
|---------------|---|---|---|
| 1/4 - 20 | 4 - 5 | | |
| 5/16 - 18 | 9 - 11 | | |
| 3/8 - 16 | 17 - 20 | 26 - 29 | |
| 7/16 - 14 | | 42 - 46 | 60 - 66 |
| 1/2 - 13 | | 64 - 72 | 90 - 100 |
| 5/8 - 11 | | 127 - 141 | 179 - 198 |
| 3/4 - 10 | | 227 - 251 | |

Meyer Products assumes no responsibility for installations not made in accordance with these instructions.



Installation Instructions

- A. Remove two side bolts from radiator mounting bracket (A) on outside of frame rails. Retain, they will not be reused
 - B. Position Clevis Frame (1) on outside of frame rails and align to where the radiator bracket bolts were removed. Attach Clevis Frame on both sides using M10 x 1.25 x 40mm bolts (17), lock washers (23) and flatwashers (20). Do not tighten at this time.
 - C. Install left hand Side Angle (2) under the frame rail next to slotted tab (B) using M12 x 1.25 x 40mm bolts (18), lockwashers (24) and flat washer (21). Repeat for right hand Side Angle (3). Do not tighten at this time.
 - D. Install bottom hole of Side Straps (4) to the outside of Clevis (1) using 5/8-11 x 2-1/4 bolts (14), flatwashers (22) and lock nuts (19). Do not tighten at this time.
 - E. Install top hole of Side Straps to Angles (2&3) using 5/8-11 x 2-3/4 bolts(15), flatwashers (22), spacer plates (25) and lock nuts (19) per illustration. Do not tighten at this time.
- Note: Slotted tabs (B) are sandwiched between spacer plates (25) and Angles (2&3).**
- F. Push Clevis back and tighten all fasteners to their proper torque. Tighten bolts in the same order they were assembled to the vehicle.

Note: Before installing lift frame tubing to clevis frame, liberally coat ends of lift frame with chasis grease anti-sieze lubricant.

- G. Install Lift Frame (27) into the tubes on the clevis frame. Turn adjusting bolts in until contact is made with Lift Frame.

Caution: Do not over tighten adjustment bolts. Adjust bolts for minimum clearance between lift frame and receiver tubes while still allowing for ease of lift frame removal. See illustration.

- H. Secure Lift Frame (27) to Clevis Frame (1) using Hinge Pin (13) and Hair Pin Cotter (26).
- I. Attach lift arm (8) to lift frame (27) using 5/8-11 x 3-1/4 bolt (16) and lock nut (18). Mount Hydraulic unit to lift frame using 5/8-11 x 3-1/4 bolt (16) and locknut (18), and to lift arm (8) using 5/8-11x2-3/4 bolt (15) and lock nut (18). **(SEE LIFT ARM WARNING)**
- J. Install Light Extensions (10) Part No. 08626 using 1/2-13 x 1-1/2 bolt (11) and lock nut (12).
- K. Install hydraulic system and snow plow lights per separate instructions.
- L. Install Snow Plow Assembly, A-Frame and Sector per separate instructions.
- M. Attach the A-Frame chain to the Lift Arm (8) allowing sufficient slack to enable the Snow Plow to follow ground contour while plowing.

Note: When the lift frame module (27) is removed from the vehicle, the insides of the clevis frame (1) receiver tubes and outside ends of the lift frame should be coated with chasis grease / anti-sieze lubricant and the protective receiver tube caps (9) Meyer Products assumes no responsibility for installations not made in accordance with these instructions.