

December 15, 2007
Lit. No. 64295, Rev. 08



Straight Blade Service Parts for Hydraulic Assemblies with Isolation Module Electrical System



PARTS LIST

Table of Contents

Hydraulic Unit	1
Motor Manufacturer Identification and Service Parts	3
Ram Components	4
Abbreviations	4
Hydraulic System	5
Bolt Bag and O-Ring Kit Components	6
Electrical Components	7
Harness Diagram	8

FloStat® Hydraulic Kit Parts List

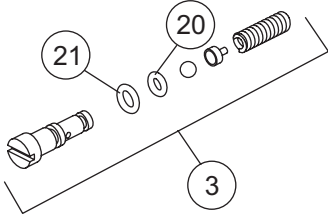
64588, 64620 & 64999 FloStat HYDRAULIC KITS				
Part	Description	Qty		
		PRO-PLOW® & Standard 64588	MIDWEIGHT™ 64620	PRO PLUS® 64999
56544	HYDRAULIC UNIT – FloStat	1	1	1
56538K	RAM ASSEMBLY 1-1/2 X 8 KIT	1	1	1
56614	RAM ASSEMBLY 1-1/2 X 10 KIT	2		
64706	RAM ASSEMBLY 1-1/2 X 10 KIT		2	
64148	RAM ASSEMBLY 1-1/2 X 12 KIT			2
21294	PLOW BATTERY CABLE	1	1	1
63411	VEHICLE BATTERY CABLE	1	1	1
22511	BATTERY CABLE 22" RED	1	1	1
61246	CABLE BOOT	1	1	1
56616-1	HOSE, 1/4 X 42 W/FJIC ENDS	2		2
64625	HOSE, 1/4 X 36 W/FJIC ENDS		2	
56617	HOSE, 1/4 X 16 W/FJIC ENDS	1	1	1
64282	BOLT BAG ASSY LARGE – See page 6	1		1
64622	BOLT BAG ASSY LARGE – See page 6		1	

For list of abbreviations, see page 4.

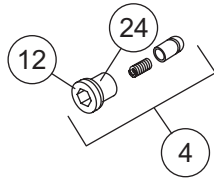
PARTS LIST

FloStat® Hydraulic Unit Parts Diagram

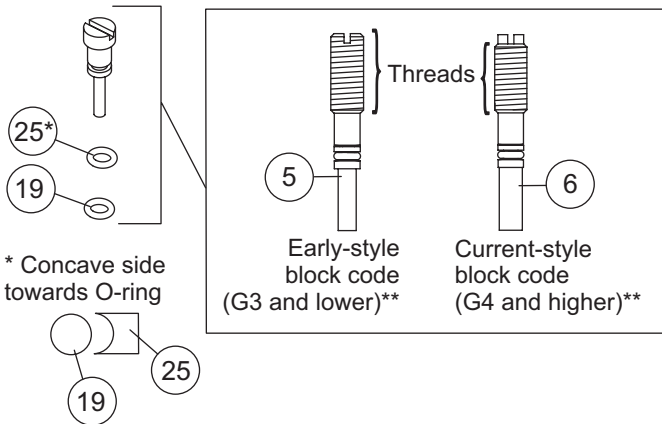
Assembly A RELIEF VALVE KIT



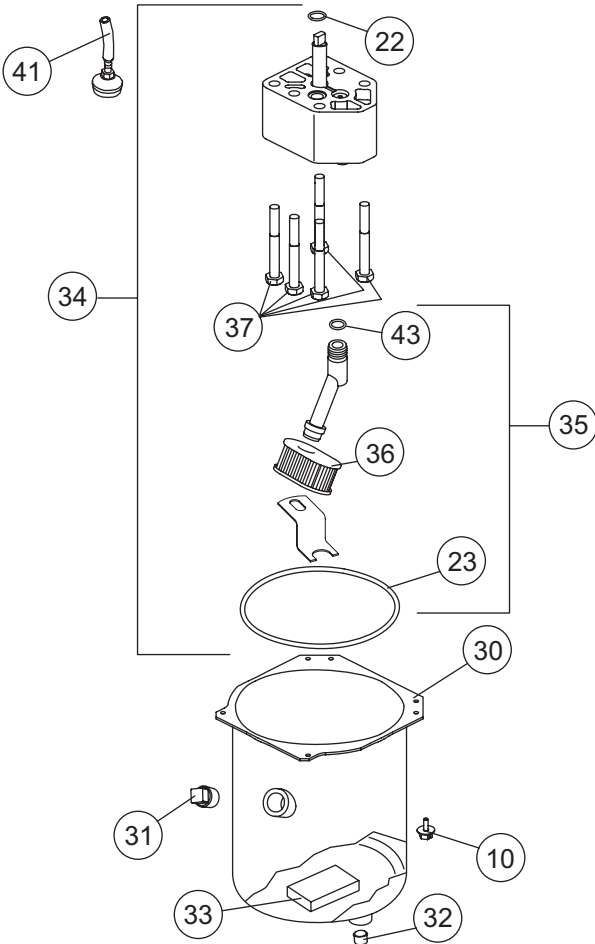
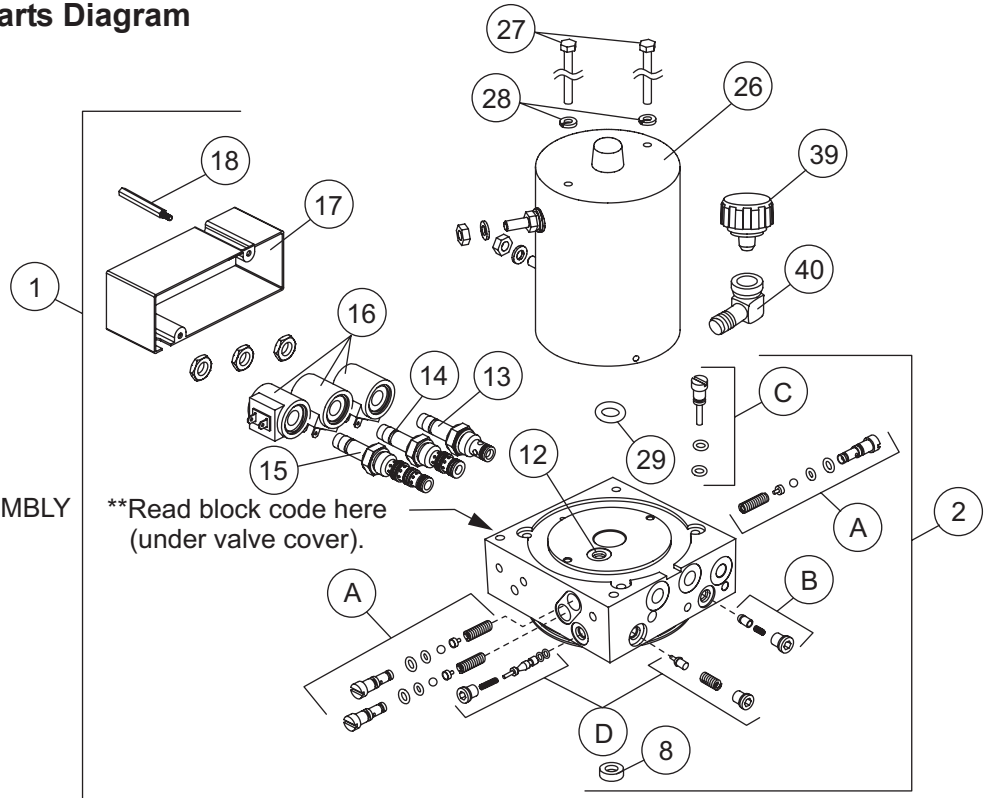
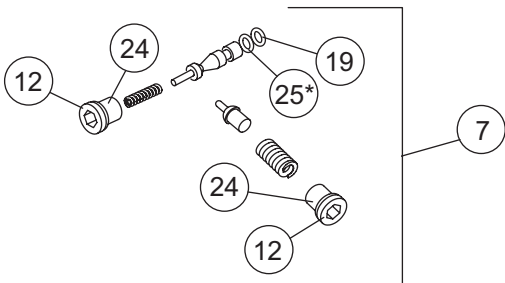
Assembly B BYPASS CHECK VALVE ASSEMBLY



Assembly C QUILL ASSEMBLY



Assembly D POPPET CHECK VALVE KIT



PARTS LIST

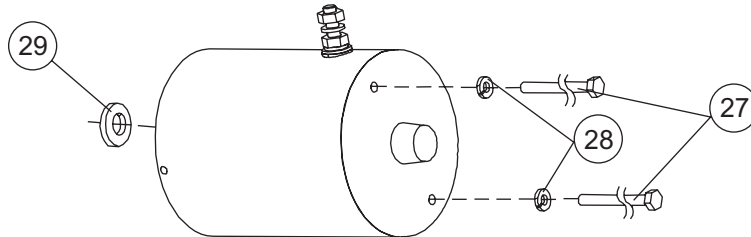
56544 HYDRAULIC UNIT – FloStat®							
Item	Part	Qty	Description	Item	Part	Qty	Description
1	56608	1	VALVE MANIFOLD ASSY FS	25	56315	2	BACK-UP RING – 006
2	56610	1	MANIFOLD ASSY FS	26	21500-1	1	MOTOR ASSY 4-1/2 – FS
3	49138K-2	2	RELIEF VALVE KIT – 2 SETS	27	–	2	HEX CAP SCREW – See page 3
4	56507	1	BYPASS CHECK VALVE ASSY	28	–	2	SPRING LOCK WASHER – See page 3
5	66509	1	QUILL ASSY	29	–	1	FIBER THRUST WASHER – See page 3
6	56662	1	QUILL ASSY	30	21830	1	RESERVOIR KIT
7	49226K	1	POPPET CHECK VALVE KIT	31	92079	1	PLUG 3/8 NPTF SQ
8	66515	1	PUMP SHAFT SEAL	32	92095	1	PLUG 1/4 NPTF HEX THREAD SEAL
10	66607	4	10-24 X 5/16 MACHINE SCREW	33	73897	1	MAGNET
12	92960	4	3/8-24 HEX O-RING BOSS PLUG	34	21501	1	HYD PUMP KIT – FS
13	49227K-1	1	CARTRIDGE 20 W/JAM NUT	35	66763	1	INLET FITTING/FILTER KIT
14	66608	1	CARTRIDGE 31 W/JAM NUT	36	56789-2	1	SUCTION FILTER
15	49229K	1	CARTRIDGE 40 W/JAM NUT	37	90073	5	5/16-18 X 2-1/4 HEX CAP SCREW G5
16	49230K	3	COIL W/SPADE TERMINALS	39	21727-2	1	BREATHER, PRESSURE CONTROL
17	21394	1	COVER ASSY	40	21726	1	3/8 NPTF X 90° STREET ELBOW BRASS
18	56580	2	SCREW, STANDOFF	41	66405	1	RETURN SCREEN ASSY
19	25622	2	O-RING – 006	43	56416	1	O-RING – 014
20	55371	3	O-RING – 008	NS	–	1	BRUSH KIT – See page 3
21	25731	3	O-RING – 010	NS	56657-2	1	O-RING & BACK-UP RING KIT – SOL –
22	56274	1	O-RING – 013	NS	49258-1	1	SEAL KIT – CARTRIDGE 20
23	66519	1	O-RING 2 – 250	NS	49259-1	1	SEAL KIT – CARTRIDGE 30, 31, 33, 40, AND 43
24	26784	4	O-RING – 903				
56657-2 O-RING & BACK-UP RING KIT – SOL							
(Universal Kit – not all contents are used in straight blade applications.)							
Item	Part	Qty	Description	Item	Part	Qty	Description
19	25622	2	O-RING – 006	43	56416	1	O-RING – 014
25	56315	2	BACK UP RING – 006	NS	25620	1	O-RING – 115
20	55371	5	O-RING – 008, 90 DUROMETER	NS	25618	1	O-RING – 216
NS	66628	4	BACK UP RING – 008	NS	66028	1	O-RING – 226
21	25731	9	O-RING – 010	23	66519	1	O-RING 2 – 250
NS	66627	4	O-RING – 011	24	26784	4	O-RING – 903
NS	25730	4	O-RING – 012	NS	56569	4	O-RING – 906
22	56274	1	O-RING – 013	NS	56776	4	O-RING – 008, 70 DUROMETER, RED

For list of abbreviations, see page 4.

PARTS LIST

Motor Manufacturer Identification and Service Parts

Photos show terminal positions and end caps for brand identification.
(Motors shown with flanges. Flange not used in UltraMount® application.)



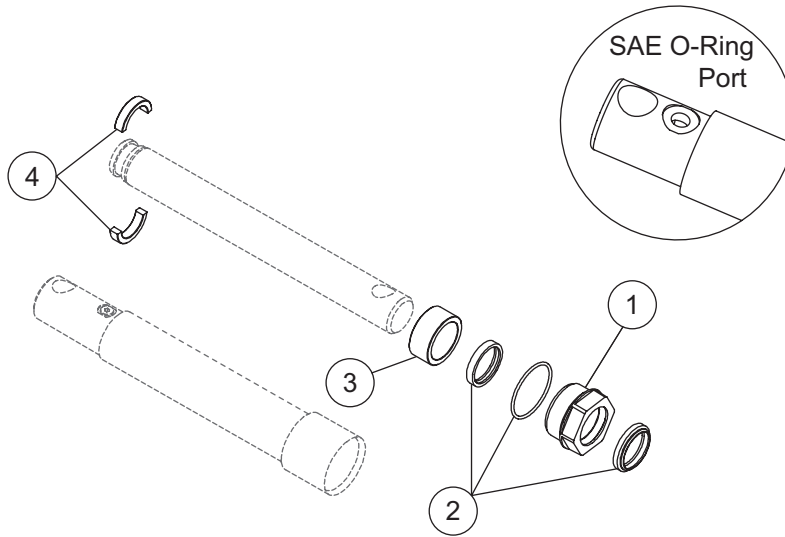
PRESTOLITE 2 TERMINAL			
Item	Part	Qty	Description
27 & 28	56621	1	THRU-BOLT KIT (Includes cap screws and special washers.)
29	56641	1	THRUST WASHER KIT (Includes retaining ring for early production.)
NS	56638	1	END CAP W/ O-RING KIT

BOSCH 2 TERMINAL			
Item	Part	Qty	Description
27	21508	2	1/4-20X6-1/4 HEX CAP SCREW G5
28	91201	2	1/4 SPRING LOCK WASHER
29	21535	1	5/8 FIBER THRUST WASHER (drive end)
NS	56620	1	BRUSH KIT – BOSCH 2 TERMINAL WP

For list of abbreviations, see page 4.

PARTS LIST

1-1/2" Ram Components with O-Ring Port/Gland Nut

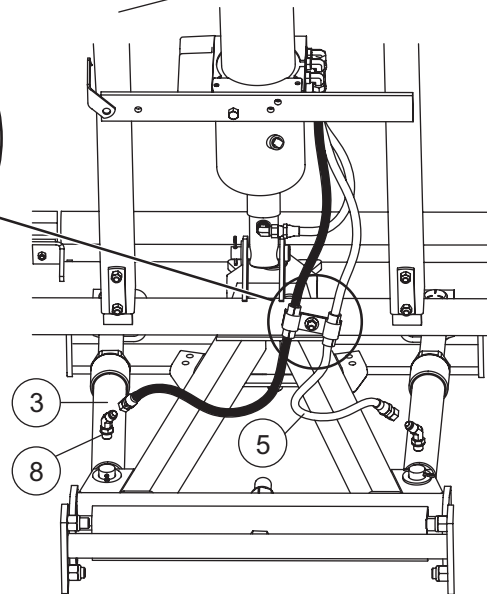
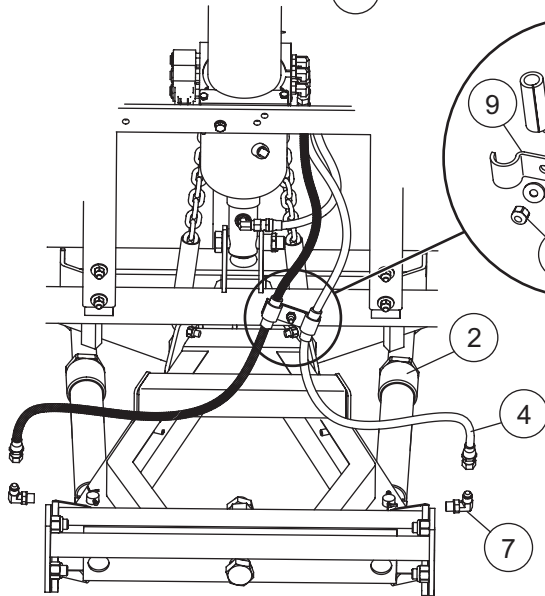
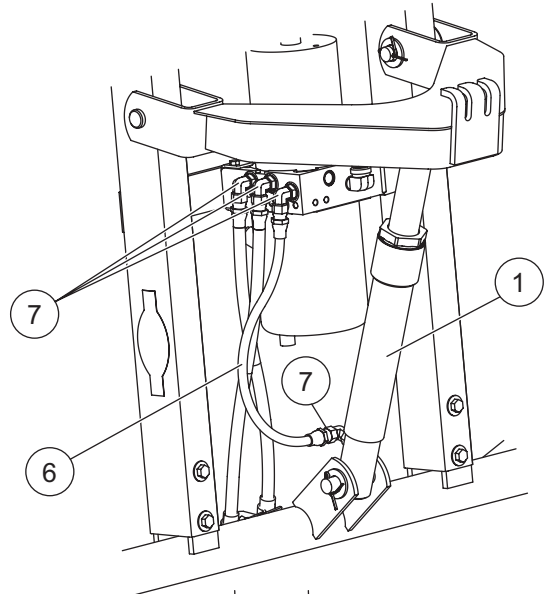
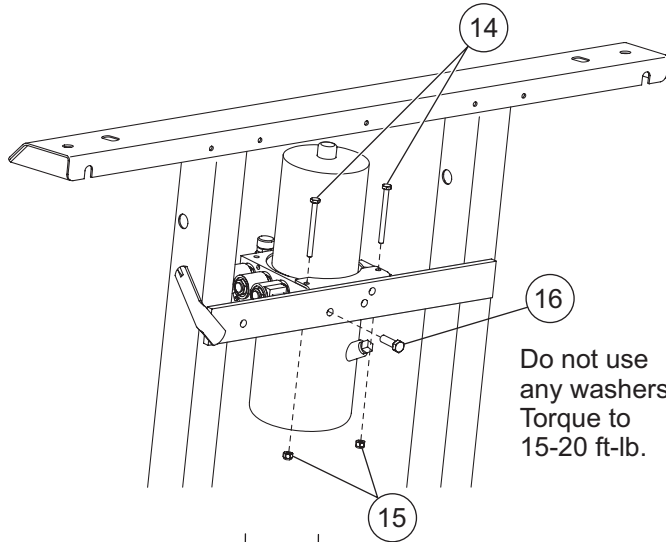


1-1/2" Ram Assembly Service Parts			
Item	Part	Qty	Description
1	56555	1	GLAND NUT ASSEMBLY – POLYPAK SEAL
2	56556	1	SEAL KIT WITH POLYPAK SEAL
3	56537	1	SPACER
4	64650	1	SPLIT BEARING KIT

ABBREVIATIONS			
ASSY	Assembly	HYD	Hydraulic
DEG	Degree	JIC	Joint Industry Conference
F	Female	M	Male
FS	FloStat® Hydraulic System		Metric
G	Grade	NS	Not Shown
HX	Hex	NPT	National Pipe Thread
		NPTF	National Pipe Thread (Fluid)
		SO	Socket Head
		SOL	Solenoid
		STD	Standard
		W/	With
		ZYC	Zinc Yellow Chromate

PARTS LIST

FloStat® Hydraulic System Parts Diagrams



Standard, PRO-PLOW®, PRO PLUS® Snowplow

MIDWEIGHT™ Snowplow

FloStat® HYDRAULIC SYSTEM PARTS LIST

Item	Part	Qty	Description	Item	Part	Qty	Description
1	56538K	1	RAM ASSEMBLY 1-1/2 X 8	9	56589	1	HOSE CLAMP, DOUBLE
2	56614	2	RAM ASSEMBLY 1-1/2 X 10 (Std, PRO-PLOW®)	10	56594	1	CLAMP BASE
	64148	2	RAM ASSEMBLY 1-1/2 X 12 (PRO PLUS®)	11	56593	2	SLEEVE
3	64706	2	RAM ASSEMBLY 1-1/2 X 10 (MIDWEIGHT™)	12	91332	1	5/16-18 HEX LOCK NUT GB
4	56616-1	2	HOSE KIT, 1/4 X 42 W/ FJIC ENDS	13	90313	1	5/16 FLAT WASHER
5	64625	2	HOSE KIT, 1/4 X 36 W/ FJIC ENDS	14	90010	2	1/4-20 X 2-3/4 HEX CAP SCREW G5
6	56617	1	HOSE KIT, 1/4 X 16 W/ FJIC ENDS	15	91331	2	1/4-20 HEX LOCK NUT GB
7	56615-1	*	ELBOW KIT, 90 DEG-6 M ORING/MJIC	16	90039	1	3/8-16 X 1 HEX CAP SCREW G5
8	26694	2	ELBOW KIT, 45 DEG-6 M ORING/MJIC				

* 6 Standard, PRO-PLOW & PRO PLUS Snowplows
4 MIDWEIGHT Snowplow

For list of abbreviations, see page 4.

PARTS LIST

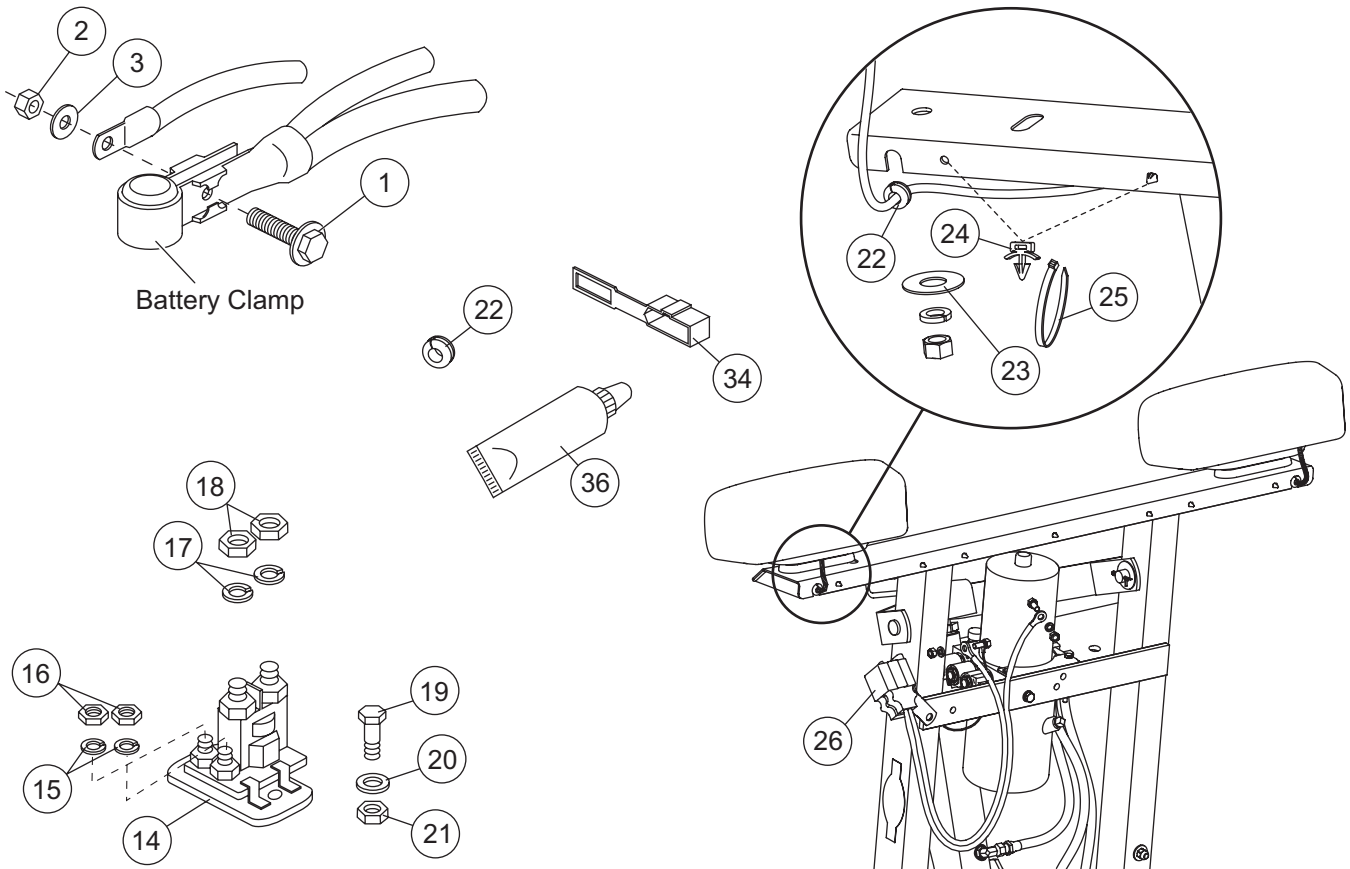
Bolt Bag Kit Components

64282 BOLT BAG ASSY LARGE (Standard, PRO-PLOW [®] , PRO PLUS [®])					
Part	Qty	Description	Part	Qty	Description
56615-1	6	ELBOW, 90 DEG-6 M O-RING/M JIC	56589	1	HOSE CLAMP, DOUBLE
56099	1	DIELECTRIC GREASE TUBE	56594	1	CLAMP BASE
56580	2	SCREW, STANDOFF ZYC	56593	2	SLEEVE
90010	2	1/4-20 x 2-3/4 HEX CAP SCREW G5	56558	2	1/2 FLAT WASHER SPECIAL
91331	2	1/4-20 HEX LOCK NUT GB	66130	2	RUBBER GROMMET
90039	1	3/8-16 x 1 HEX CAP SCREW G5	90313	1	5/16 FLAT WASHER
91332	1	5/16-18 HEX LOCK NUT GB	21726	1	3/8 NPTF x 90 STREET ELBOW BRASS
56595	7	ANCHOR, CABLE TIE	64280	1	BOLT BAG, SMALL
64622 BOLT BAG ASSY LARGE (MIDWEIGHT™)					
Part	Qty	Description	Part	Qty	Description
56615	4	ELBOW, 90 DEG-6 M O-RING/M JIC	56589	1	HOSE CLAMP, DOUBLE
26694	2	ELBOW, 45 DEG-6 M O-RING/M JIC	56594	1	CLAMP BASE
56099	1	DIELECTRIC GREASE TUBE	56593	2	SLEEVE
56580	2	SCREW, STANDOFF ZYC	56558	2	1/2 FLAT WASHER SPECIAL
90010	2	1/4-20 x 2-3/4 HEX CAP SCREW G5	66130	2	RUBBER GROMMET
91331	2	1/4-20 HEX LOCK NUT GB	90313	1	5/16 FLAT WASHER
90039	1	3/8-16 x 1 HEX CAP SCREW G5	21726	1	3/8 NPTF x 90 STREET ELBOW BRASS
91332	1	5/16-18 HEX LOCK NUT GB	64280	1	BOLT BAG, SMALL
56595	7	ANCHOR, CABLE TIE			
64280 BOLT BAG, SMALL (Included in 64282 and 64622)					
Part	Qty	Description	Part	Qty	Description
90461	2	1/4-20 x 3/4 HEX CAP SCREW G5	92842	2	5/16-24 HEX JAM NUT G5
90311	2	1/4 FLAT WASHER	91402	2	10-32 HEX MACHINE SCREW NUT
91202	2	5/16 SPRING LOCK WASHER	91055	2	M6 x 1.00 x 25 HEX CAP SCREW G8.8
91242	2	10 SPRING LOCK WASHER	91056	2	M6 x 1.00 HEX NUT G10
91331	2	1/4-20 HEX LOCK NUT GB	91057	2	M6 FLAT WASHER
66130	2	RUBBER GROMMET			

For list of abbreviations, see page 4.

PARTS LIST

Electrical Components Parts Diagrams



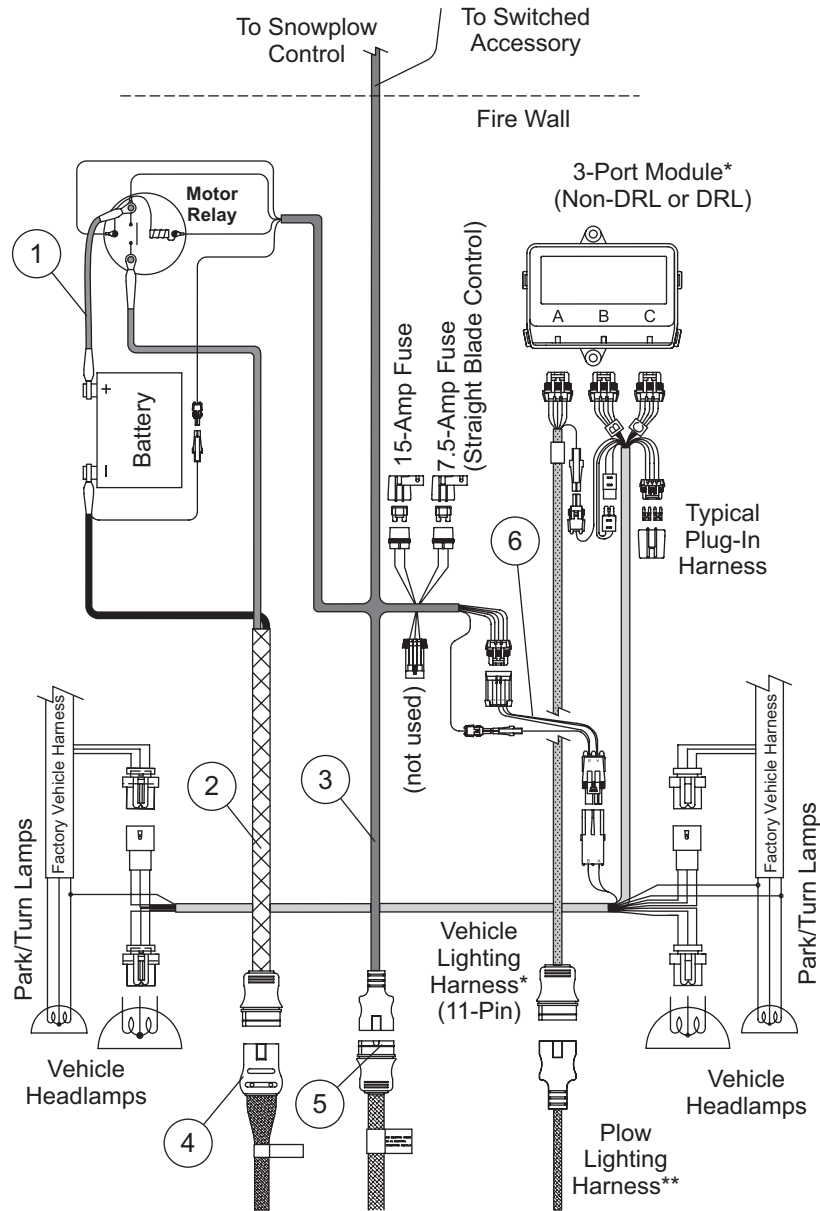
ELECTRICAL COMPONENTS PARTS LIST

Item	Part	Qty	Description	Item	Part	Qty	Description
1	91055	2	M6 X 1.0 X 25 HEX CAP SCREW G8.8	21	91331	2	1/4-20 HEX LOCKNUT GB
2	91056	2	M6 X 1.00 HEX NUT G10	22	66130	4	RUBBER GROMMET
3	91057	2	M6 FLAT WASHER	23	56558	2	1/2 FLAT WASHER SPECIAL
14	56131K-1	1	MOTOR RELAY KIT	24	56595	7	ANCHOR, CABLE TIE
15	91242	2	10 SPRING LOCK WASHER	25	59223	24	CABLE TIE
16	91402	2	10-32 HEX MACHINE SCREW NUT	26	61246	1	CABLE BOOT
17	91202	2	5/16 SPRING LOCK WASHER	34	61548	1	PLUG COVER
18	92842	2	5/16-24 HEX JAM NUT G5	36	56099	1	DIELECTRIC GREASE TUBE (.25 oz)
19	90461	2	1/4-20 X 3/4 HEX CAP SCREW G5	NS	49326	1	DIELECTRIC GREASE TUBE (2 oz)
20	90311	2	1/4 FLAT WASHER				

For list of abbreviations, see page 4.

PARTS LIST

Harness Diagram



HARNES COMPONENTS			
Item	Part	Qty	Description
1	22511	1	BATTERY CABLE 22" RED
2	63411	1	VEHICLE BATTERY CABLE
3	26345	1	VEHICLE CONTROL HARNESS 3-PIN
4	21294	1	PLOW BATTERY CABLE
5	26359	1	PLOW CONTROL HARNESS 3-PIN
6	29047	1	ADAPTER 3-PORT
NS	27063W	1	REPLACEMENT HARNESS END 3-PIN VEHICLE SIDE

* See Isolation Module Electrical System Parts List for part numbers.

** See Headlamp Kit Parts List for part number.



WESTERN PRODUCTS
P.O. BOX 245038
MILWAUKEE, WI 53224-9538

 A DIVISION OF DOUGLAS DYNAMICS, L.L.C.

Copyright © 2007 Douglas Dynamics, L.L.C. All rights reserved. This material may not be reproduced or copied, in whole or in part, in any printed, mechanical, electronic, film or other distribution and storage media, without the written consent of Western Products. Authorization to photocopy items for internal or personal use by Western Products outlets or snowplow owner is granted.

Western Products reserves the right under its product improvement policy to change construction or design details and furnish equipment when so altered without reference to illustrations or specifications used. Western Products or the vehicle manufacturer may require or recommend optional equipment for snow removal. Do not exceed vehicle ratings with a snowplow. Western Products offers a limited warranty for all snowplows and accessories. See separately printed page for this important information. The following are registered (®) or unregistered (™) trademarks of Douglas Dynamics, L.L.C.: FloStat®, MIDWEIGHT™, PRO-PLOW®, PRO PLUS®, UltraMount®, WESTERN®.