



Hopper Spreader

Cab Control Wiring and Electrical Components

Installation Instructions and Parts List

This document includes PRO-CASTER™ harnesses, referred to as "11-Pin Harness."

⚠ CAUTION

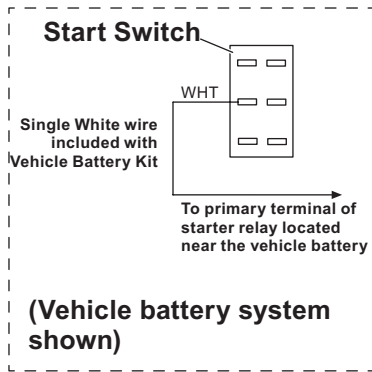
Read this document before installing the cab control wiring.

⚠ CAUTION

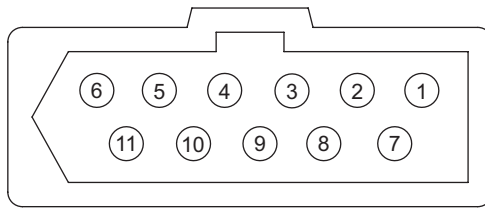
Use standard methods and practices when attaching spreader and installing accessories, including proper personal protective safety equipment.

This Parts List is for FISHER® Hopper Spreaders with serial numbers 4809–7663 and FISHER PRO-CASTER Spreaders with serial numbers beginning with 0126–0805.

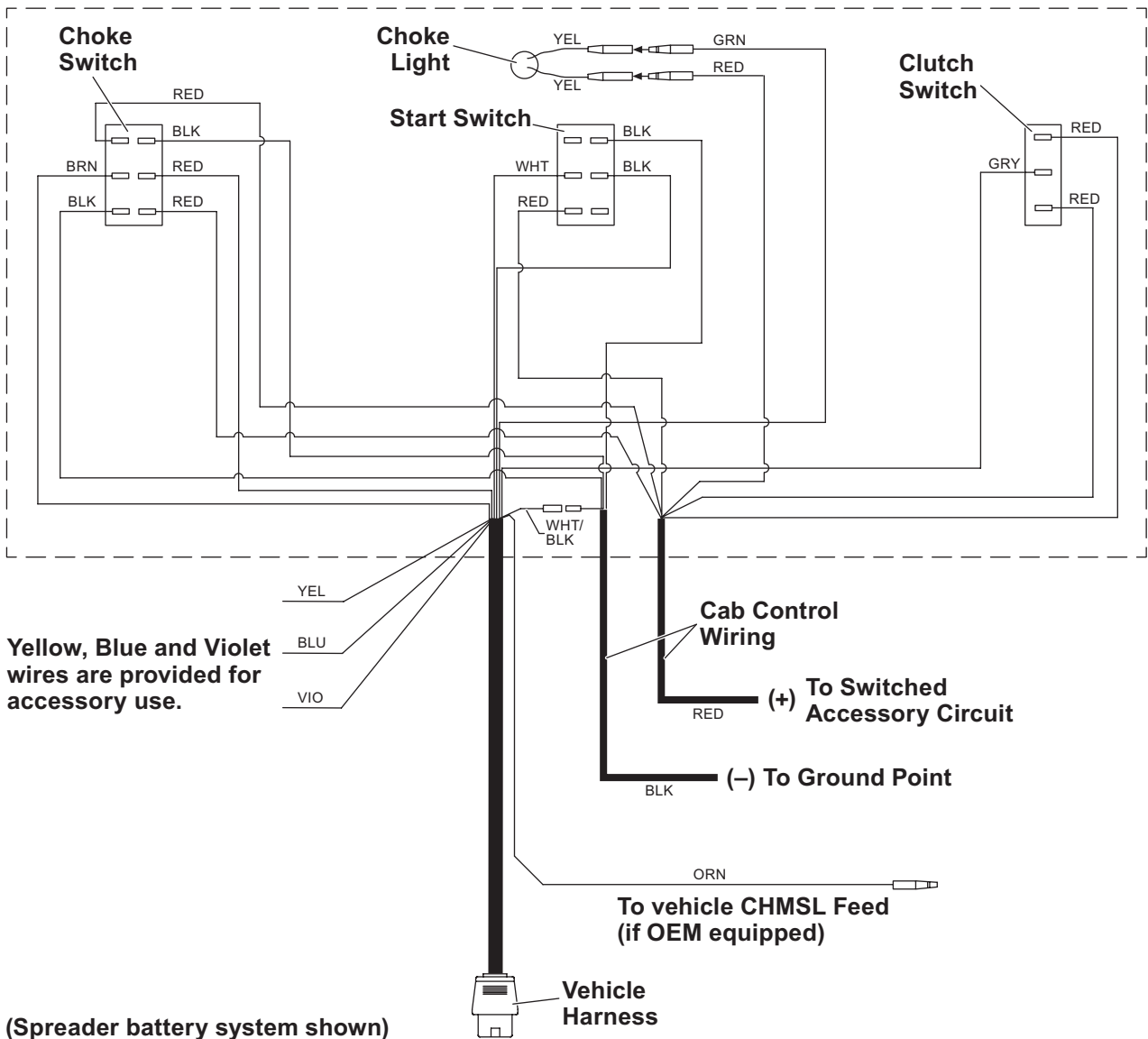
CAB CONTROL WIRING DIAGRAM – 11-PIN HARNESS



11-Pin Harness — Wire Locations and Colors



1. Black
2. Brown
3. Red
4. Orange
5. Yellow
6. Green
7. Blue
8. Violet
9. Gray
10. White
11. White/Black



CAB CONTROL WIRING INSTRUCTIONS – 11-PIN HARNESS

⚠ WARNING

Do not install this product in deployment path of an air bag. Refer to vehicle manufacturer's manual for air bag deployment area(s).

1. Remove the cover of the cab control.
2. Remove the rubber grommet and pass the vehicle harness through the empty hole in the back of the cab control.
3. After the harness is in the control, install a tie wrap around it at the end of the insulation to secure it inside.

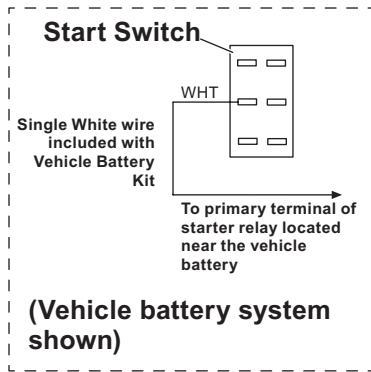
⚠ CAUTION

Use tape or grommets to protect the wire harness from abrasion and cutting caused by sharp edges during installation and operation.

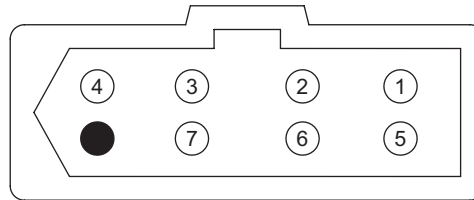
4. Separate the wires and do the following with each wire:
 - a. **Orange** – Loop it around and pass it out the large rubber grommet in the back of the cab control.
 - b. **Gray** – Connect to the middle terminal of the "CLUTCH" switch.
 - c. **Black** – Connect to the middle right terminal (as viewed from rear) of the "START" switch.
 - d. **White** –
For spreader battery system, connect to the middle left terminal (as viewed from the rear) of the "START" switch.
For vehicle battery system, the white wire from the vehicle harness will not be used. Connect the white relay wire (supplied with the vehicle battery kit) from the starter relay to the middle left terminal (as viewed from the rear) of the "START" switch. Also refer to the Vehicle Battery Kit Installation Instructions included with the vehicle battery kit.

- e. **Brown** – Connect to the middle left terminal (as viewed from the rear) of the "CHOKE" switch.
 - f. **Red** – Connect to the middle right terminal (as viewed from the rear) of "CHOKE" switch.
 - g. **Green** – Connect to the yellow wire of the choke light.
 - h. **White/Black** – Connect to the black cab control ground wire.
 - i. **Yellow, Violet, Blue** – Pass back out of the control. These are provided for accessory use.
5. Connect the black wire from the cab control to a known ground on the vehicle.
 6. Connect the red (power) wire to an accessory wire/terminal that is controlled by the vehicle's ignition switch.
 7. Replace the cab control cover and fasten the cab control in the cab of the truck.

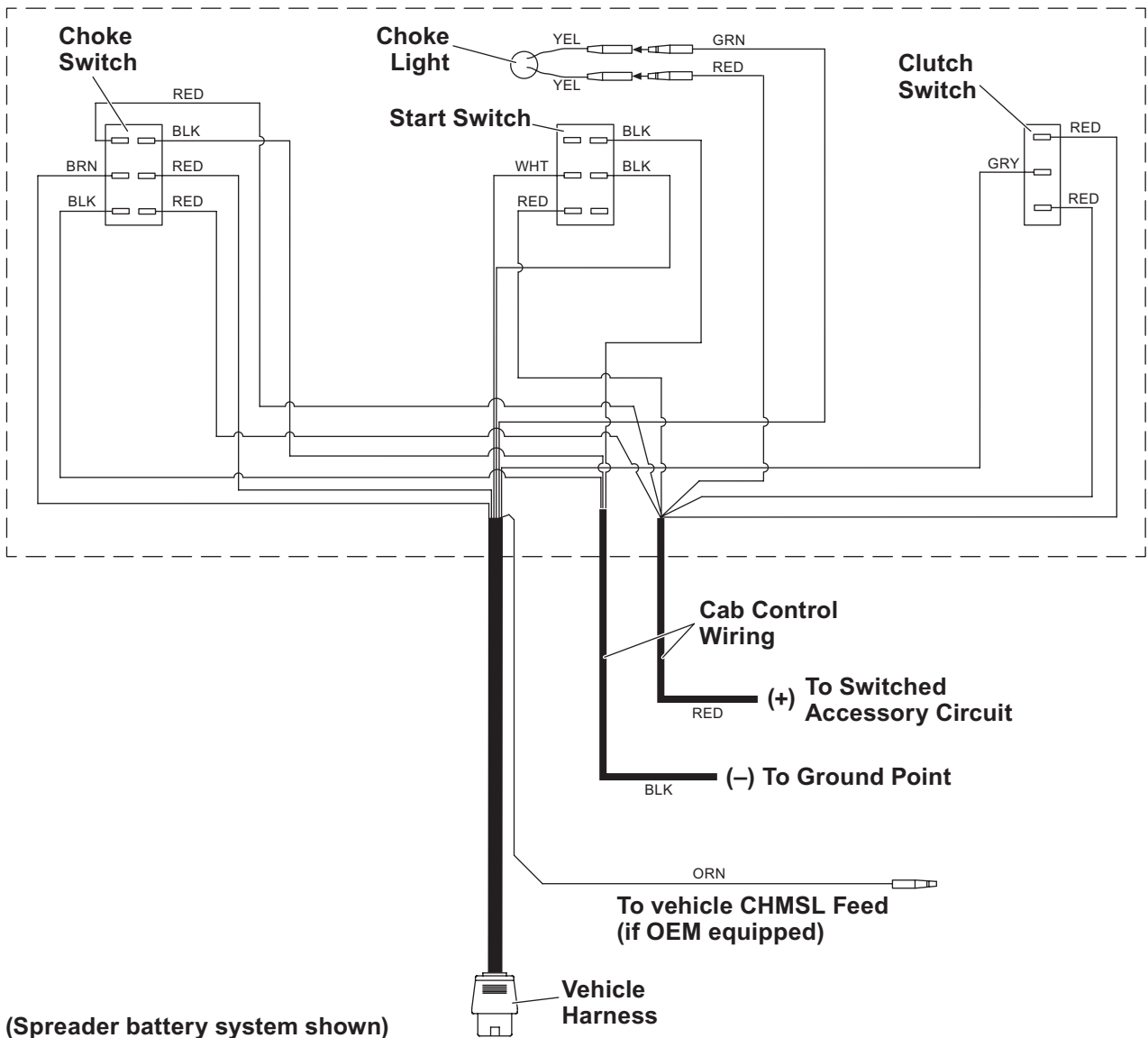
CAB CONTROL WIRING DIAGRAM – 7-PIN HARNESS



7-Pin Harness — Wire Locations and Colors



1. Green
2. Black
3. White
4. Gray
5. Red
6. Brown
7. Orange

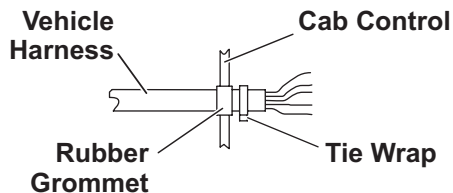


CAB CONTROL WIRING INSTRUCTIONS – 7-PIN HARNESS

⚠ WARNING

Do not install this product in deployment path of an air bag. Refer to vehicle manufacturer's manual for air bag deployment area(s).

1. Remove the cover of the cab control.
2. Remove the rubber grommet and pass the vehicle harness through the empty hole in the back of the cab control.
3. After the harness is in the control, install a tie wrap around it at the end of the insulation to secure it inside.



⚠ CAUTION

Use tape or grommets to protect the wire harness from abrasion and cutting caused by sharp edges during installation and operation.

4. Separate the wires and do the following with each wire:
 - a. **Orange** – Loop it around and pass it out the large rubber grommet in the back of the cab control.
 - b. **Gray** – Connect to middle terminal of "CLUTCH" switch.
 - c. **Black** – Connect to middle right terminal (as viewed from rear) of "START" switch.

d. **White** –

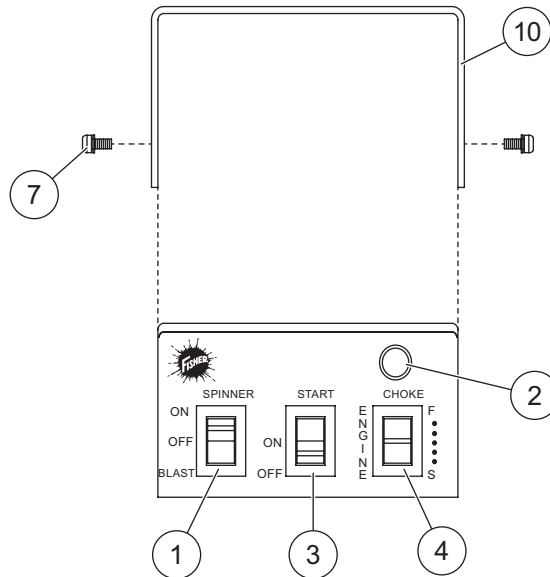
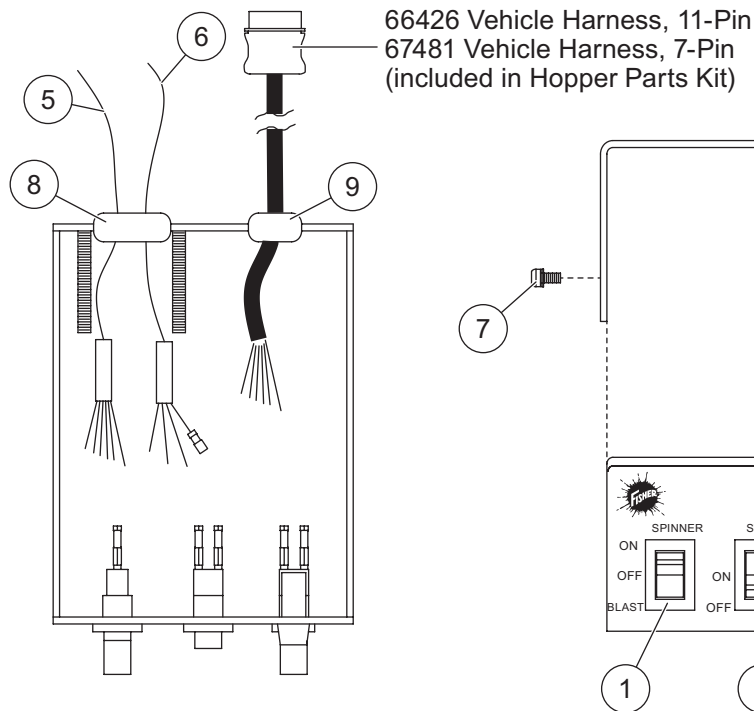
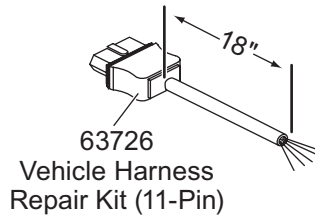
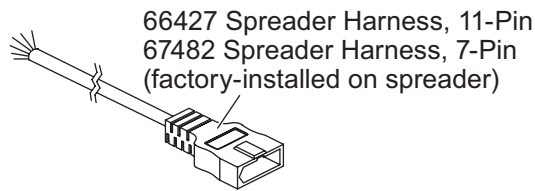
For spreader battery system: Connect to the middle left terminal (as viewed from the rear) of "START" switch.

For vehicle battery system: The white wire from the vehicle harness will not be used. Connect the white relay wire (supplied with the vehicle battery kit) from the starter relay to the middle left terminal (as viewed from the rear) of the "START" switch. Also refer to the Vehicle Battery Kit Installation Instructions included with the vehicle battery kit.

- e. **Brown** – Connect to the middle left terminal (as viewed from the rear) of "CHOKE" switch.
- f. **Red** – Connect to the middle right terminal (as viewed from the rear) of "CHOKE" switch.
- g. **Green** – Connect to yellow wire of choke light.

5. Connect the black wire from the cab control to a known ground on the vehicle.
6. Connect the red (power) wire to an accessory wire/terminal that is controlled by the vehicle's ignition switch.
7. Replace the cab control cover and fasten the cab control in the cab of the truck.

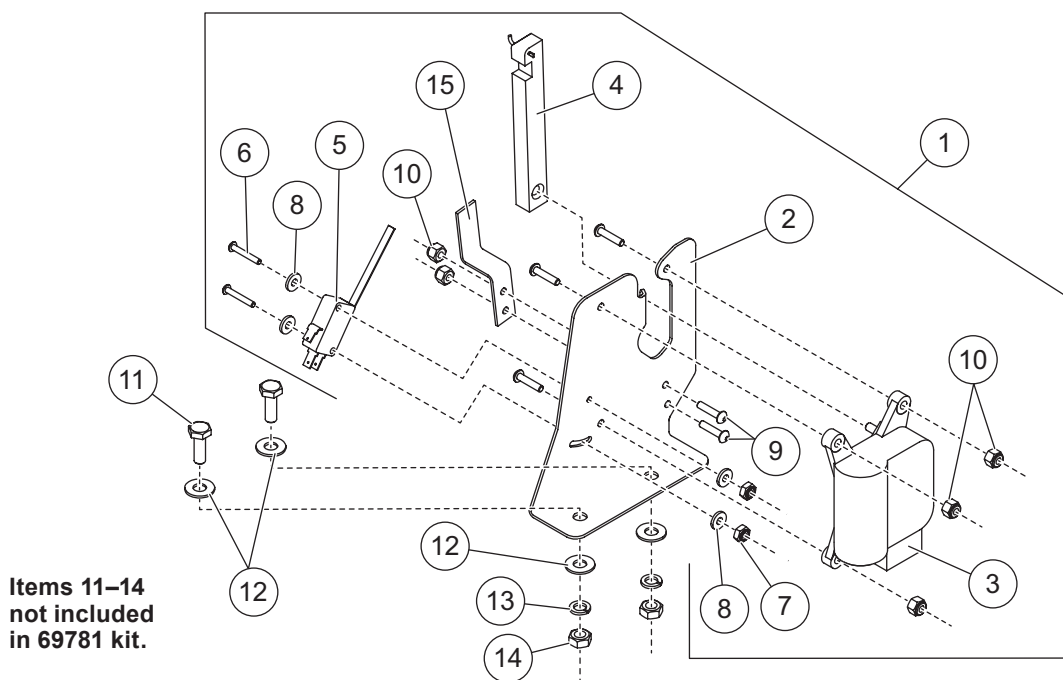
CAB CONTROL PARTS LIST



66860-1 Premium Cab Control

| Item | Part | Qty | Description | Item | Part | Qty | Description |
|------|-------|-----|------------------------------------|------|-------|-----|--|
| 1 | 66858 | 1 | Spinner Clutch Switch | 7 | 63930 | 4 | 4-40 x 1/4 Pan-Head Machine Screw |
| 2 | 67529 | 1 | Light, 12V Panel Mount (Amber) | 8 | 66130 | 1 | Rubber Grommet, large |
| 3 | 66859 | 1 | Ignition Switch | 9 | | 1 | Rubber Grommet, small |
| 4 | 66862 | 1 | Throttle (Choke) Switch | 10 | 65516 | 1 | Control Bracket Installation Kit (includes mounting hardware) |
| 5 | 67526 | 1 | Control Harness 12V Positive (Red) | | | | |
| 6 | 66432 | 1 | Control Harness Ground (Black) | | | | |

ELECTRICAL COMPONENTS PARTS LIST



Electric Throttle Components – Honda Engine

| Item | Part | Qty | Description | Item | Part | Qty | Description |
|------|--------|-----|---|------|--------|-----|--------------------------------------|
| 1 | 69781 | 1 | Electric Throttle Motor Kit – Honda (includes items 2-10, 15) | 9 | 67091 | 3 | 6-32 x 5/8 Button Cap Screw SS |
| 2 | 69769* | 1 | Throttle Bracket – Honda | 10 | 91398 | 3 | 6-32 Hex Locknut GB SS |
| 3 | | 1 | Electric Throttle Motor – Honda | 11 | 90461 | 2 | 1/4-20 x 3/4 Hex Cap Screw G5 SS |
| 4 | 69767* | 1 | Electric Throttle Arm – Honda 4" | 12 | 90311 | 4 | 1/4 Flat Washer |
| 5 | 68863 | 1 | Choke Light Switch | 13 | 91201 | 2 | 1/4 Spring Lock Washer |
| 6 | 68858 | 2 | 4-40 x 3/4 Button Cap Screw SS | 14 | 91411 | 2 | 1/4-20 Hex Nut G5 |
| 7 | 68859 | 2 | 4-40 Hex Locknut GB SS | 15 | 94574 | 1 | Throttle Retainer – Honda |
| 8 | 68857 | 4 | 4 Flat Washer SS | ns | 94573† | 1 | Throttle Bracket – Honda |
| | | | | ns | 94572† | 1 | Electric Throttle Arm – Honda 3-1/4" |

ns = not shown

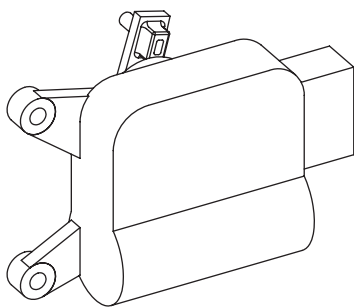
G = Grade

SS = Stainless Steel

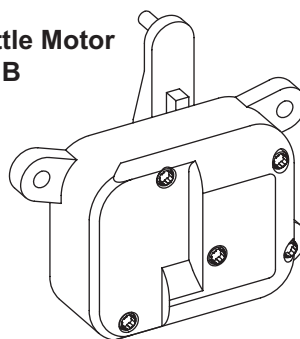
* Used with Throttle Motor type A.

† Used with Throttle Motor type B.

**Throttle Motor
Type A**

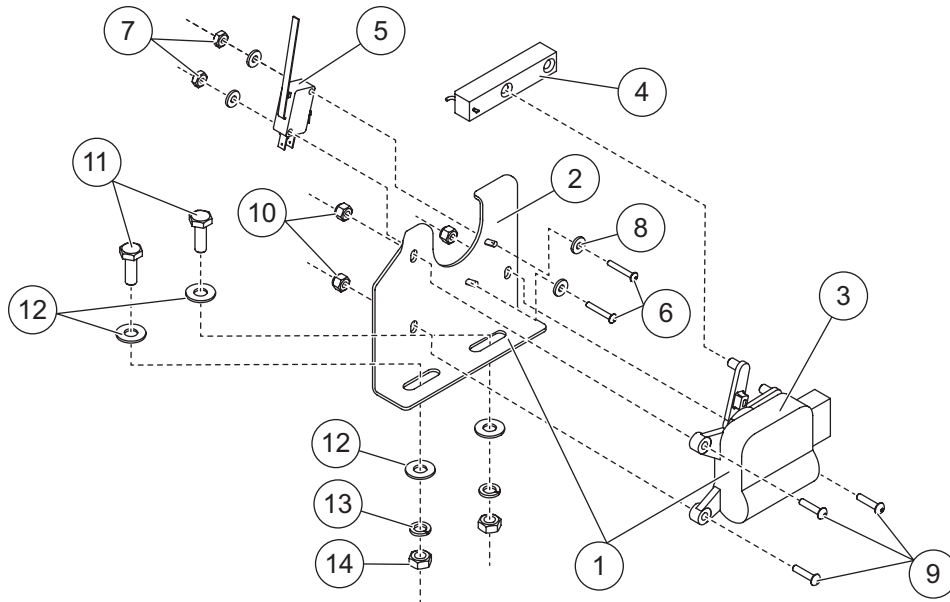


**Throttle Motor
Type B**



Type B motor is no longer available. For service, use Item 1 in the above parts list.

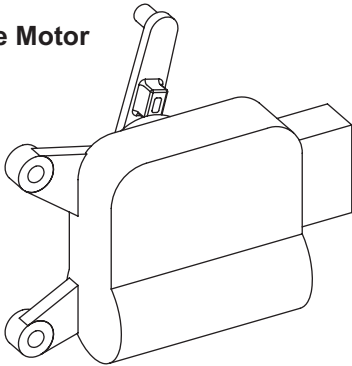
ELECTRICAL COMPONENTS PARTS LIST



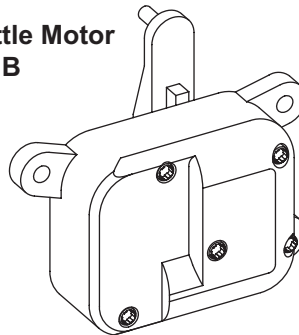
| Electric Throttle Components – Briggs & Stratton Engine | | | | | | | |
|---|--------|-----|--|------|--------|-----|--------------------------------------|
| Item | Part | Qty | Description | Item | Part | Qty | Description |
| 1 | 69782 | 1 | Electric Throttle Motor Kit – Briggs & Stratton (includes items 2 and 3) | 7 | 68859 | 2 | 4-40 Hex Locknut GB SS |
| 2 | 73957* | 1 | Throttle Bracket – Briggs & Stratton | 8 | 68857 | 4 | 4 Flat Washer SS |
| 3 | | 1 | Electric Throttle Motor – Briggs & Stratton | 9 | 67091 | 3 | 6-32 x 5/8 Button Cap Screw SS |
| 4 | 65375 | 1 | Electric Throttle Arm – Briggs & Stratton | 10 | 91398 | 3 | 6-32 Hex Locknut GB SS |
| 5 | 68863 | 1 | Choke Light Switch | 11 | 90461 | 2 | 1/4-20 x 3/4 Hex Cap Screw G5 SS |
| 6 | 68858 | 2 | 4-40 x 3/4 Button Cap Screw SS | 12 | 90311 | 4 | 1/4 Flat Washer |
| | | | | 13 | 91201 | 2 | 1/4 Spring Lock Washer |
| | | | | 14 | 91411 | 2 | 1/4-20 Hex Nut G5 |
| | | | | ns | 65372† | 1 | Throttle Bracket – Briggs & Stratton |
| | | | ns = not shown | | | | SS = Stainless Steel |
| | | | | | | | G = Grade |

* Used with Throttle Motor type A.
 † Used with Throttle Motor type B.

**Throttle Motor
Type A**

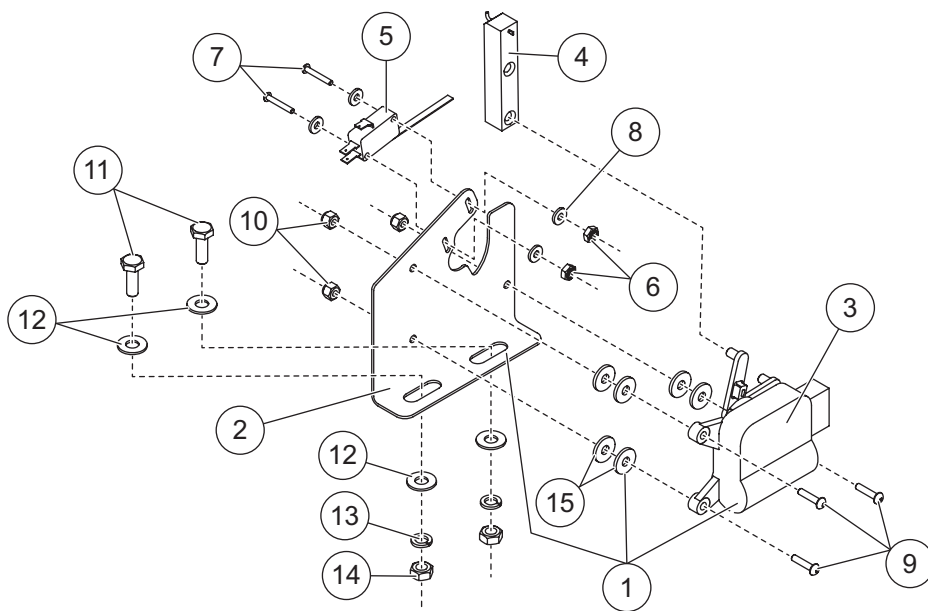


**Throttle Motor
Type B**



Type B motor is no longer available. For service, use Item 1 in the above parts list.

ELECTRICAL COMPONENTS PARTS LIST

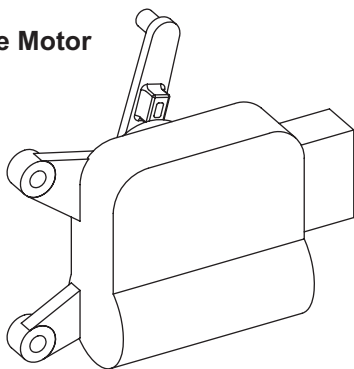


| Electric Throttle Components – Tecumseh Engine | | | | | | | |
|--|--------|-----|--|------|--------|-----|----------------------------------|
| Item | Part | Qty | Description | Item | Part | Qty | Description |
| 1 | 69783 | 1 | Electric Throttle Motor Kit – Tecumseh (includes items 2, 3, 15) | 9 | 67091 | 3 | 6-32 x 5/8 Button Cap Screw SS |
| 2 | 69788* | 1 | Throttle Bracket – Tecumseh | 10 | 91398 | 3 | 6-32 Hex Locknut GB SS |
| 3 | | 1 | Electric Throttle Motor – Tecumseh | 11 | 90461 | 2 | 1/4-20 x 3/4 Hex Cap Screw G5 SS |
| 4 | 65375 | 1 | Electric Throttle Arm – Tecumseh | 12 | 90311 | 4 | 1/4 Flat Washer |
| 5 | 68863 | 1 | Choke Light Switch | 13 | 91201 | 2 | 1/4 Spring Lock Washer |
| 6 | 68858 | 2 | 4-40 x 3/4 Button Cap Screw SS | 14 | 91411 | 2 | 1/4-20 Hex Nut G5 |
| 7 | 68859 | 2 | 4-40 Hex Locknut GB SS | 15 | M2052 | 6 | Flat Washer M5 Regular |
| 8 | 68857 | 4 | 4 Flat Washer SS | ns | 68853† | 1 | Throttle Bracket – Tecumseh |
| | | | ns = not shown | | | | SS = Stainless Steel |
| | | | | | | | G = Grade |

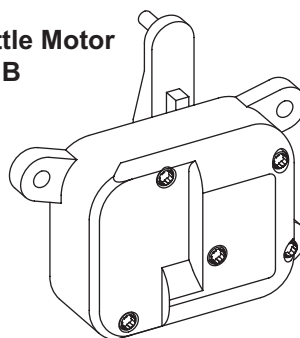
* Used with Throttle Motor type A.

† Used with Throttle Motor type B.

Throttle Motor Type A

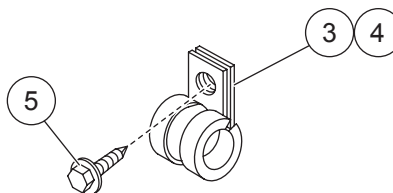
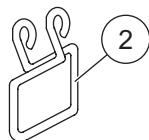
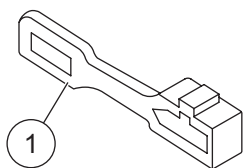


Throttle Motor Type B



Type B motor is no longer available. For service, use Item 1 in the above parts list.

ELECTRICAL COMPONENTS PARTS LIST



| Miscellaneous Electrical Components | | | | | | | |
|-------------------------------------|-------|-----|-------------------------------------|----------------|-------|-----|--------------------------------------|
| Item | Part | Qty | Description | Item | Part | Qty | Description |
| 1 | 8291K | 1 | Plug Cover | ns | 67241 | 1 | Clutch Ground Wire |
| 2 | 62057 | 2 | Hook | ns | 67527 | 1 | Choke Switch Ground Wire |
| 3 | 65340 | AR | Clamp Loop #10 | ns | 66130 | AR | Split Rubber Grommet 3/8 ID |
| 4 | 9415 | AR | Clamp Loop #6 | ns | 8329K | 1 | Dielectric Grease Tube |
| 5 | 93148 | AR | 1/4-14 x 3/4 Self-Driving Tap Screw | ns | 67537 | 1 | Relay Wire (white) – Premium Control |
| AR = As Required | | | | ns = not shown | | | |

Copyright © 2013 Douglas Dynamics, LLC. All rights reserved. This material may not be reproduced or copied, in whole or in part, in any printed, mechanical, electronic, film or other distribution and storage media, without the written consent of Fisher Engineering. Authorization to photocopy items for internal or personal use by Fisher Engineering outlets or spreader owner is granted.

Fisher Engineering reserves the right under its product improvement policy to change construction or design details and furnish equipment when so altered without reference to illustrations or specifications used. Fisher Engineering or the vehicle manufacturer may require or recommend optional equipment for spreaders. Do not exceed vehicle ratings with a spreader. Fisher Engineering offers a limited warranty for all spreaders and accessories. See separately printed page for this important information. The following are registered (®) or unregistered (™) trademarks of Douglas Dynamics, LLC: FISHER®, PRO-CASTER™.

Printed in U.S.A.