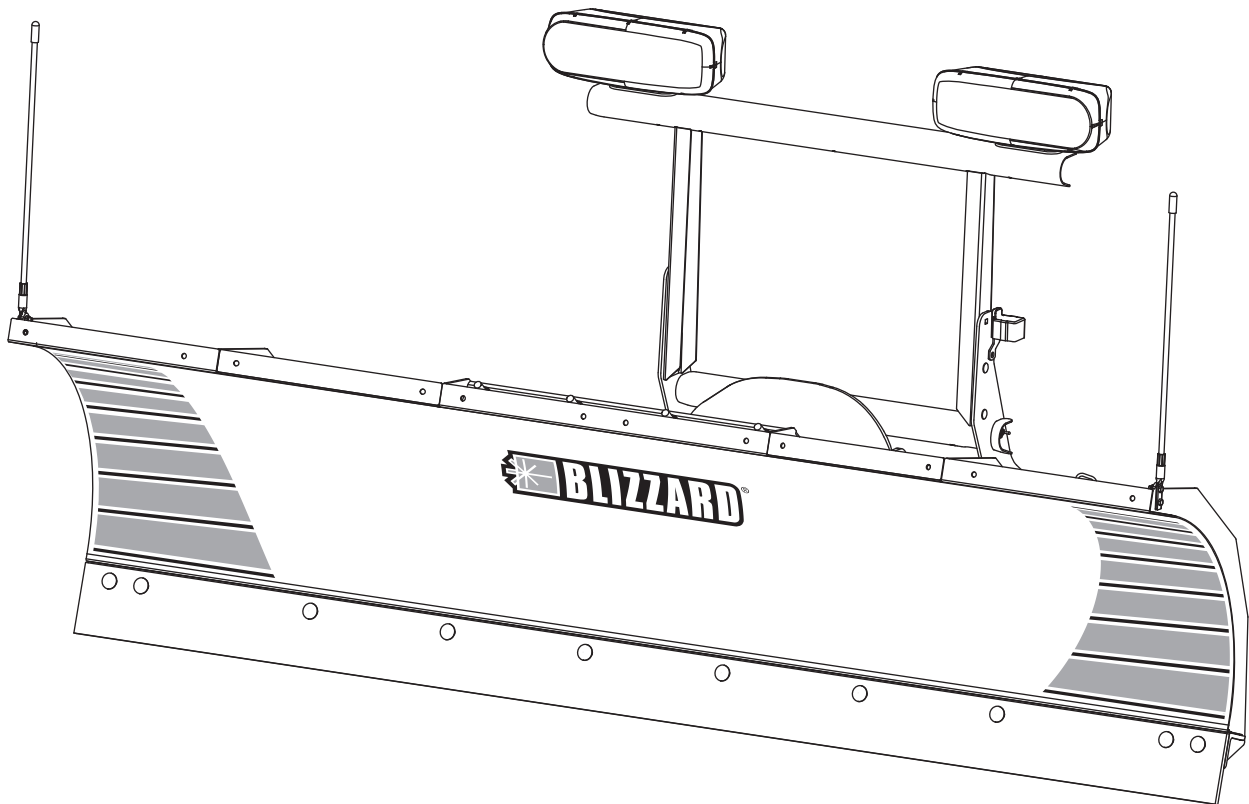


BLIZZARD[®] **SNOWPLOWS**

Straight Blade Snowplows **7600HD, 8000HD, 8600HD & 9000HD** **Blade Crate Assembly**

Parts List



BLADE COMPONENTS2

OFF-TRUCK COMPONENTS.....4

 Pivot Beam, Light Tower and A-Frame4

 Hydraulic Unit.....6

 Lift and Angle Rams8

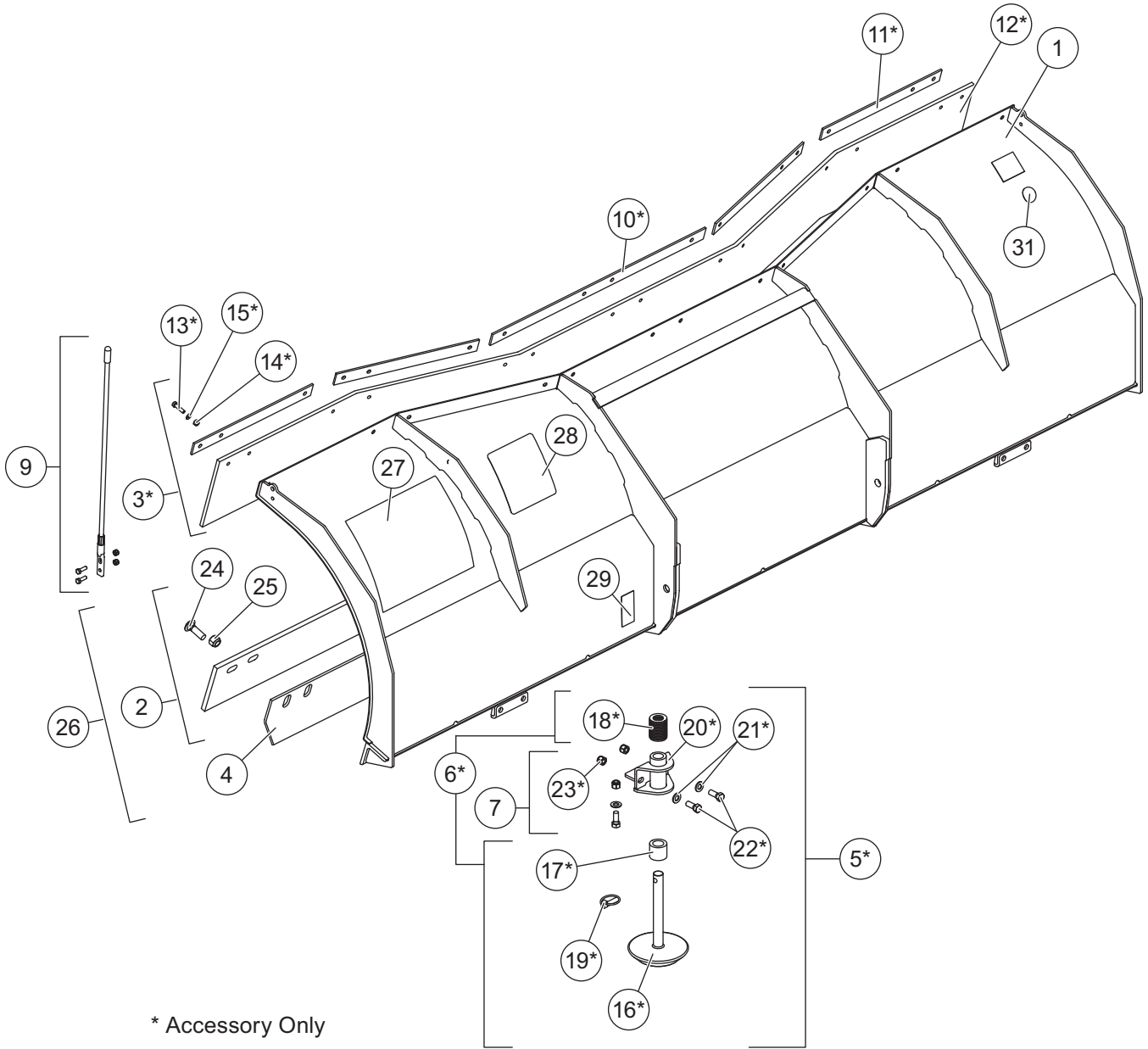
 Hoses and Fittings8

 Electrical Components.....9

 Vehicle-Side Wiring Diagram – 3-Port, 2-Plug Systems10

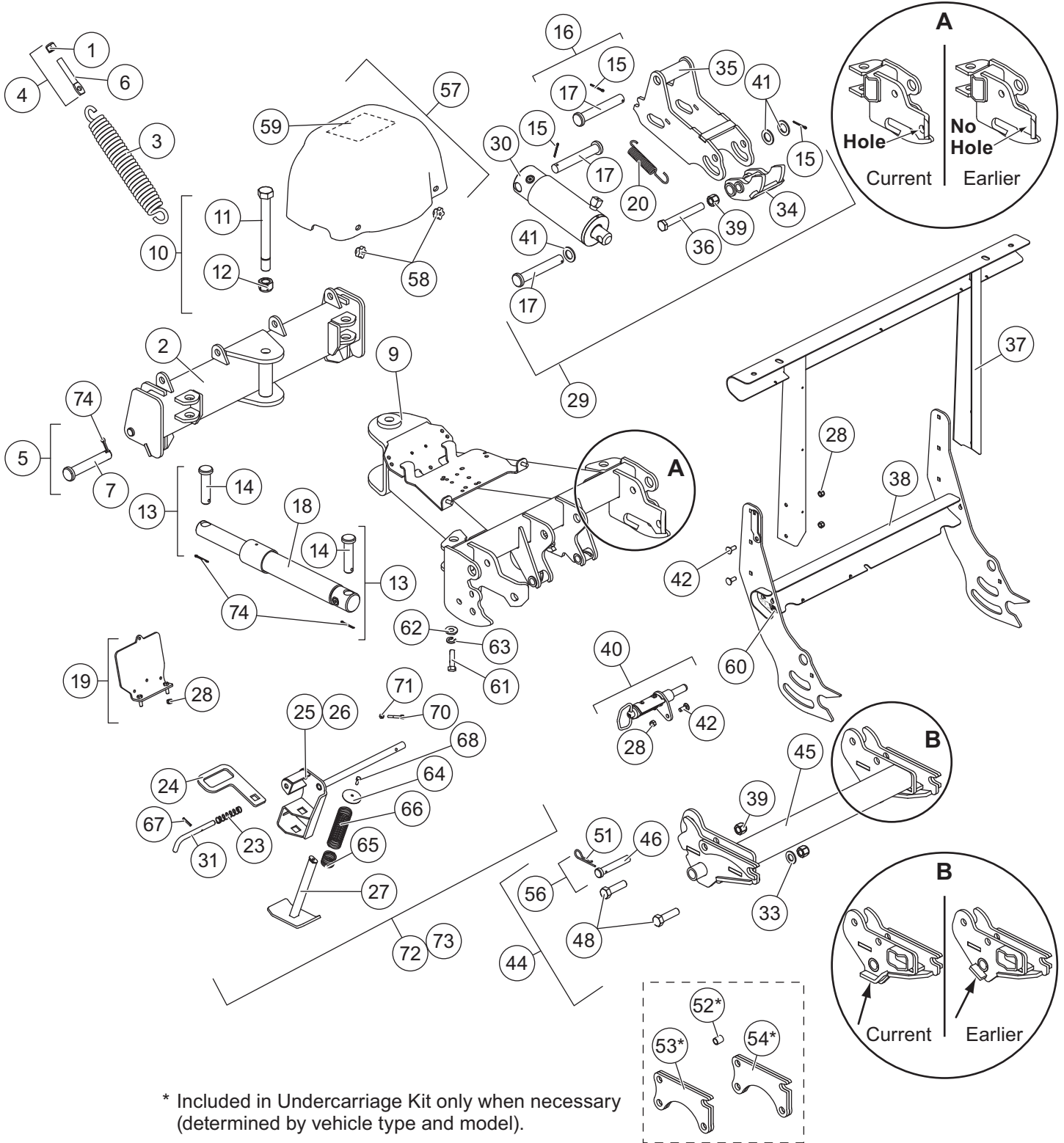
 Headlamp Kit 11

Blade Components



Blade Components					
Item	Part	Description	Item	Part	Description
1	40675	7600HD Blade	26	40679	7600HD Blade Assembly
	40676	8000HD Blade		40680	8000HD Blade Assembly
	40677	8600HD Blade		40681	8600HD Blade Assembly
	40678	9000HD Blade		40682	9000HD Blade Assembly
2	40695	7-1/2' Cutting Edge Kit (1/2")	27	49443	Label, POWER HITCH™ 2 Attach/Detach
	40696	8' Cutting Edge Kit (1/2")	28	59900	Label, Information (Warning)
	40697	8-1/2' Cutting Edge Kit (1/2")	29	29256	Label, Foot Crush Hazard
	40698	9' Cutting Edge Kit (1/2")	31	56581	Label, Information
5*	40501	Shoe Assembly Kit	ns	96321	Label, Moldboard – PS
7	40508	Shoe Mounting Kit	ns	96320	Label, Moldboard – DS
9	B61049	Plow Guide Assembly	ns	B63163	Label, Straight Blade Center
24	5572	5/8-11 x 2 Carriage Bolt G5	ns*	40699	Curb Guard Kit – Single
25	91337	5/8-11 Hex Locknut GB	ns*	B52093	Air Foil
Item 3* 40700 Deflector Kit*					
10	40683	Hold Down, Center	13	90048	5/16-18 x 1-1/4 Hex Cap Screw G5
11	40684	Hold Down, Outer	14	91332	5/16-18 Hex Locknut GB
12	40685	Rubber Deflector	15	B61412	5/16 Flat Washer Hardened
Back Drag Edge Kit*					
4	64758	7-1/2' Back Drag Edge	ns	29351	Bolt Bag, Back Drag Edge
	66892	8' Back Drag Edge			
	66999	8-1/2' Back Drag Edge			
	66991	9' Back Drag Edge			
Item 6* 49071 HD Disc Shoe Assembly*					
16	60217	HD Disc Shoe	20	40477	Shoe Holder
17	60045	Spacer	21	29243	1/2" Flat Washer Narrow
18	91192	Flat Washer Special	22	90575	1/2-13 x 1-1/4 Hex Cap Screw G5
19	93010	7/16 x 1-3/4 Linchpin	23	91335	1/2-13 Hex Locknut GB
ns = not shown		* Accessory Only		G = Grade	

Pivot Beam, Light Tower and A-Frame Components



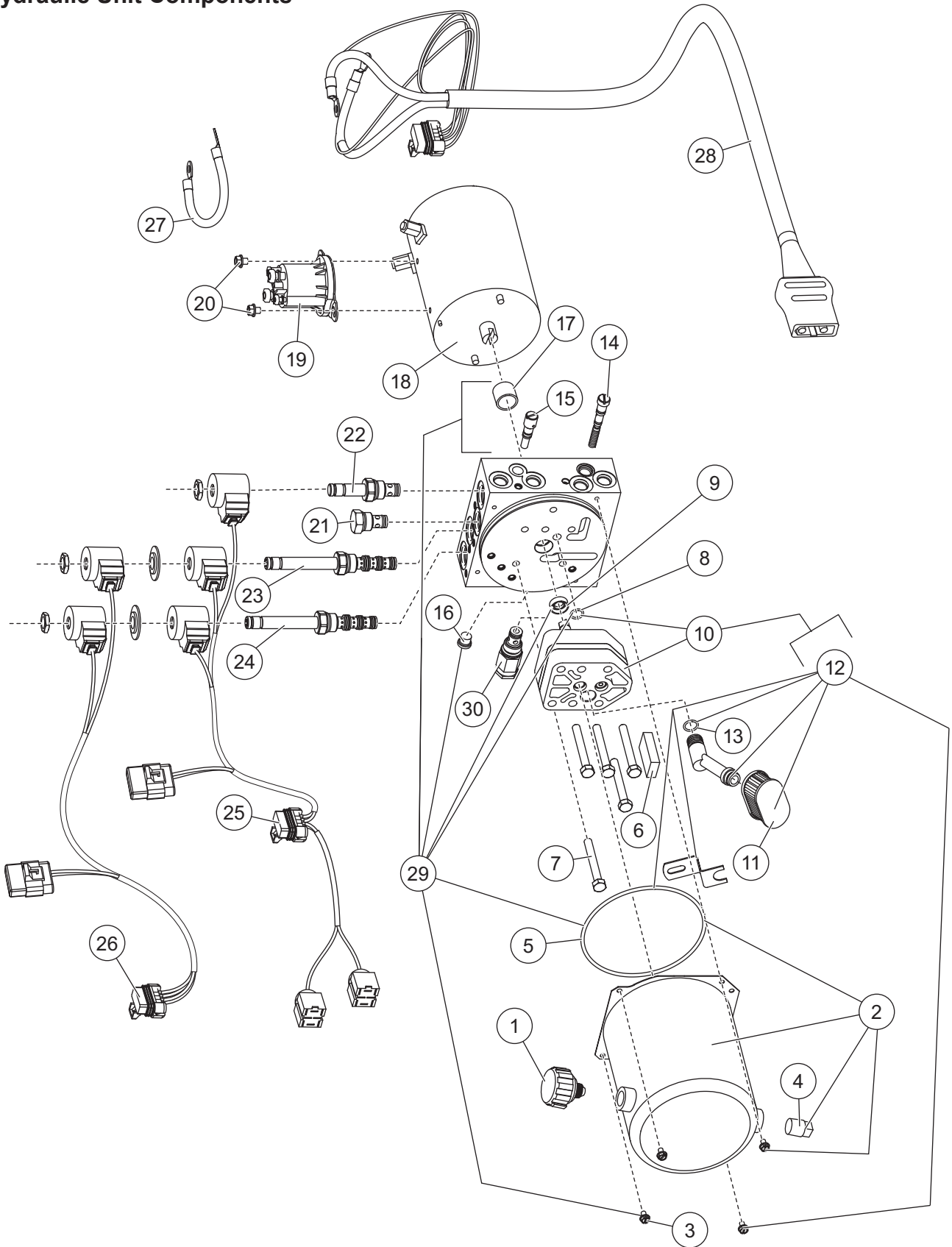
* Included in Undercarriage Kit only when necessary (determined by vehicle type and model).

Pivot Beam, Light Tower and A-Frame Components							
Item	Part	Qty	Description	Item	Part	Qty	Description
1	91337	4	5/8-11 Hex Locknut GB	28	91333	7	3/8-16 Hex Locknut GB
2	41118	1	Pivot Beam	29	41117	1	Draw Latch Assembly
3	23039	4	Trip Spring	37	41124	1	Light Tower – Upper
4	50655	4	Eyebolt Kit	38	41125	1	Light Tower – Lower
5	41123	2	Pivot Pin w/Cotter	39	91338	5	3/4-10 Hex Locknut GB
6	90490	4	5/8-11 x 4 Eyebolt G2	40	41129	2	Hitch Pin Kit
7	B50069	2	3/4 x 3 Pivot Pin	42	90201	6	3/8-16 x 1 Carriage Bolt G5
9‡	41235	1	A-Frame	44	41237	1	Mount Adapter Assembly
10	41119	1	Pivot Bolt Kit	52*	63212	2	Spacer
11	50605	1	1-8 x 9-1/2 Hex Cap Screw	53*	40514	2	Height Adjustment Plate – Tall
12	91340	1	1-8 Hex Locknut G5 Special	54*	40515	2	Height Adjustment Plate – Short
13	41122	4	Pin Kit	56	40517	2	Receiver Hardware Kit
14	6816	4	1 x 4 Clevis Pin G5	57	40549	1	Cover Assembly
15	91911	3	5/32 x 1-1/2 Cotter Pin	60	48207	1	Label, POWER HITCH™ Switch ID
16	40547	3	Ram Pin Kit	61	66437	4	5/16-24 x 1 Hex Cap Screw G5
17	40458	3	1 x 6-1/2 Clevis Pin	62	90313	4	5/16 Flat Washer
18	41096	2	1-3/4 x 11-3/8 Ram Assembly	63	91202	4	5/16 Lock Washer
19	40548	1	Module Mounting Plate Kit	74	90601	6	1/4 x 1-1/2 Cotter Pin
Item 72				41130 Stand Assembly – DS			
23	27461	1	Compression Spring	65	67636	1	Spring, Lock Stand
24	40635	1	Handle	66	67637	1	Spring, Return, Stand
25	40649	1	Stand – DS	67	67700	1	3/16 x 1-1/4 Pln, Roll
27	40651	1	Stand Shoe	68	90461	1	1/4-20 x 3/4 Hex Cap Screw
31	40662	2	Pin – Stand	70	41101	1	1/4-20 x 2-1/4 Hex Cap Screw
64	40674	1	Cap – Stand Plunger	71	67076	1	1/4-20 Hex Locknut
Item 73				41131 Stand Assembly – PS			
23	27461	1	Compression Spring	65	67636	1	Spring, Lock Stand
24	40635	1	Handle	66	67637	1	Spring, Return, Stand
26	40650	1	Stand – PS	67	67700	1	3/16 x 1-1/4 Pln, Roll
27	40651	1	Stand Shoe	68	90461	1	1/4-20 x 3/4 Hex Cap Screw
31	40662	2	Pin – Stand	70	41101	1	1/4-20 x 2-1/4 Hex Cap Screw
64	40674	1	Cap – Stand Plunger	71	67076	1	1/4-20 Hex Locknut
Item 29				41117 Draw Latch Assembly			
15	91911	3	5/32 x 1-1/2 Cotter Pin	35	41105	1	Draw Latch
17	40458	3	1 x 6-1/2 Clevis Pin	36	66451	1	3/4-10 x 6 Hex Cap Screw G5
20	40660	2	Spring	39	91338	1	3/4-10 Hex Locknut GB
30	41095	1	3-1/2 x 5-1/2 Ram Assembly	41	91192	3	Flat Washer Special
34	41104	1	Draw Latch Hook				
Item 44				41237 Mount Adapter Assembly			
33	91147	2	3/4 Flat Washer Narrow	46	40496	2	3/4 x 4-3/8 Clevis Pin
39	91338	4	3/4-10 Hex Locknut GB	48	66449	4	3/4-10 x 2-3/4 Hex Cap Screw G5
45		1	Mount Adapter	51	B61105	2	9/64 x 2-11/16 Hairpin Cotter
Item 57				40549 Cover Assembly			
		1	Cover	59	48268	1	Label, Information – BD Straight
58	B61628	2	3/8-16 Clamping Knob				
ns = not shown				G = Grade			

* The height adjustment plates are not included in the Crate Assembly Box, and are not required for all applications. When required, the correct plates are packaged and sold with the Undercarriage Kits.

‡ Earlier A-frames (without hole) must also replace Item 44 – Mount Adapter Assembly.

Hydraulic Unit Components



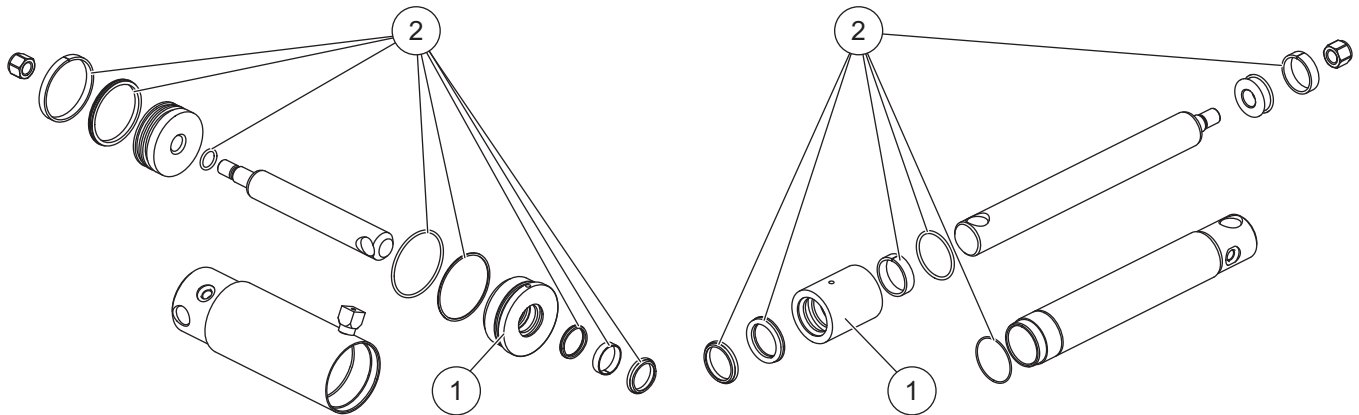
7600HD, 8000HD, 8600HD, 9000HD

41120 Hydraulic Unit							
Item	Part	Qty	Description	Item	Part	Qty	Description
1	48278	1	Breather	ns	48284	1	Bearing Repair Tool Kit w/Bearing
2	48279	1	Reservoir Kit	18	48285	1	Motor
3	66607	4	10-24 x 5/16 Machine Screw	19	B80051	1	Relay Kit
4	92079	1	3/8 Plug NPTF Square	20	29099	2	1/4-20 x 1/4 Hex Washer-Head Thread-Rolling Screw
5	66519	1	O-Ring – 2-250	21	48287	1	Check Valve
6	73897	1	Magnet	22	48288	1	Valve – 2-Way NC w/Rev Flow
7	90080	5	5/16-18 x 2-1/2 Hex Cap Screw G5	23	48289	1	Valve – 4-Way, 3-Position
8	56274	1	O-Ring – 013	24	48291	1	Valve – 4-Way, 3-Position Closed Center
9	66515	1	Pump Shaft Seal	25	29849	1	Plow Control Harness – 3 Coil
ns	48302	1	Seal Repair Tool Kit w/Seal	26	29851	1	Plow Control Harness – 2 Coil
10	41090	1	Hydraulic Pump Kit	27	29071	1	Cable Assembly 8"
11	48281	1	Filter	28	48295	1	Plow Battery Cable
12	48316	1	Inlet Fitting/Filter Kit	29	41092	1	Manifold Assembly w/o Valves
13	56416	1	O-Ring – 014	30	41091	1	Relief Valve Kit
14	48283	1	Relief Valve – 1 Set	ns		3	Fuse – 5-amp Mini Automotive Blade-Style (for items 25 and 26)
15	48241	1	Stem Assembly Needle Valve				
16	44344	1	7/16-20 Socket O-Ring Boss Plug				
17*	56364	1	Bearing Sleeve				
O-Ring Service Kits							
–	48301	–	O-Ring Kit	–	48310	–	Seal Kit – 2-Way Valves
–	48309	–	Seal Kit – 3-Way & 4-Way Valves				
ns = not shown				G = Grade			

* Use 48284 tool to install.

Go to www.blizzardplows.com for hydraulic unit service information and specifications.

Lift and Angle Ram Components

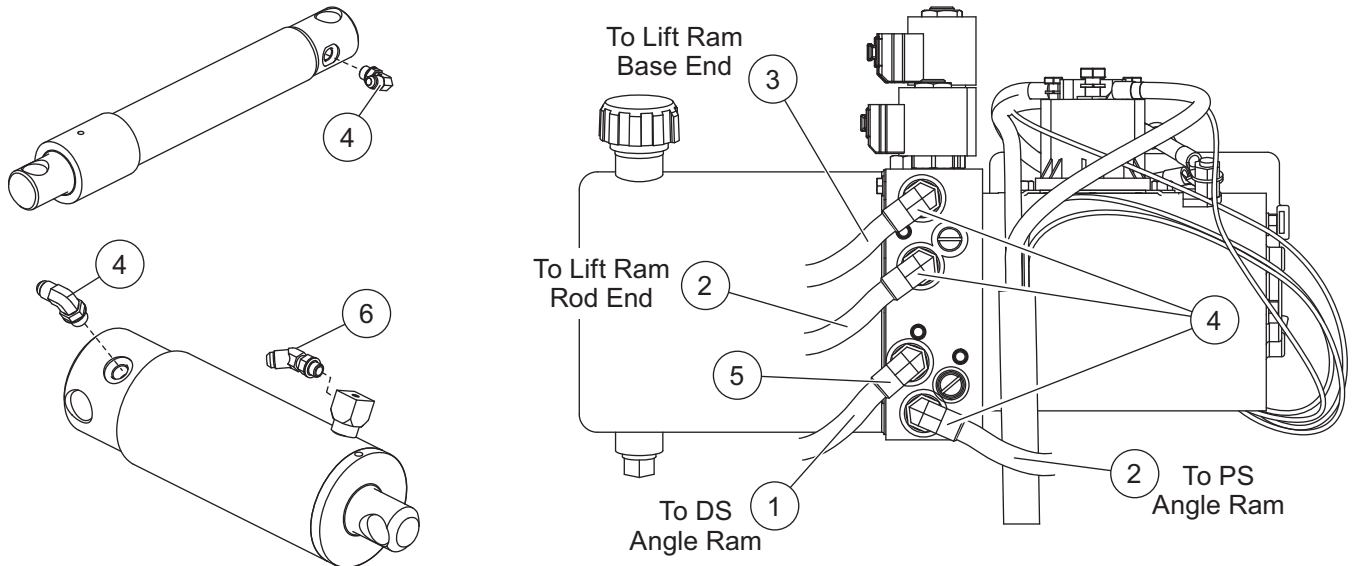


41095 Ram Assembly 3-1/2 x 5-1/2			
Item	Part	Qty	Description
1	48358	1	Gland 1-1/2
2	41098	1	Seal Kit 3-1/2" DA Ram

41096 Ram Assembly 1-3/4 x 11-3/8			
Item	Part	Qty	Description
1	50403	1	Gland 1-3/4
2	41097	1	Seal Kit 1-3/4

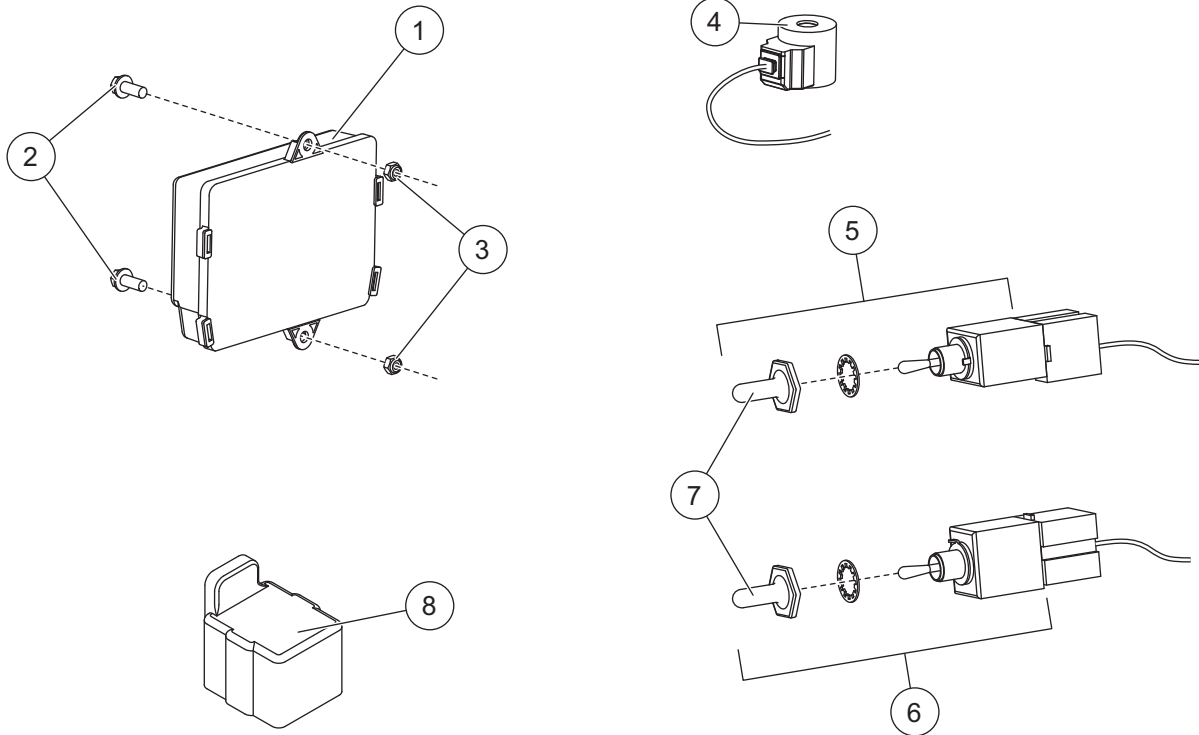
Go to www.blizzardplows.com for hydraulic unit service information and specifications.

Hoses and Fittings



Hoses and Fittings							
Item	Part	Qty	Description	Item	Part	Qty	Description
1	41094	1	1/4 x 18 Hose w/FJIC Ends	5	40572	1	Elbow 90° Extra Long – 6M O-Ring/MJIC
2	40570	2	1/4 x 22 Hose w/FJIC Ends	6	41093	1	Elbow 45° 7/16-20 ORB x 9/16-18 MJIC
3	40569	1	1/4 x 16 Hose w/FJIC Ends				
4	40571	6	Elbow 90° – 6M O-Ring/MJIC				
F = Female				M = Male or Metric			

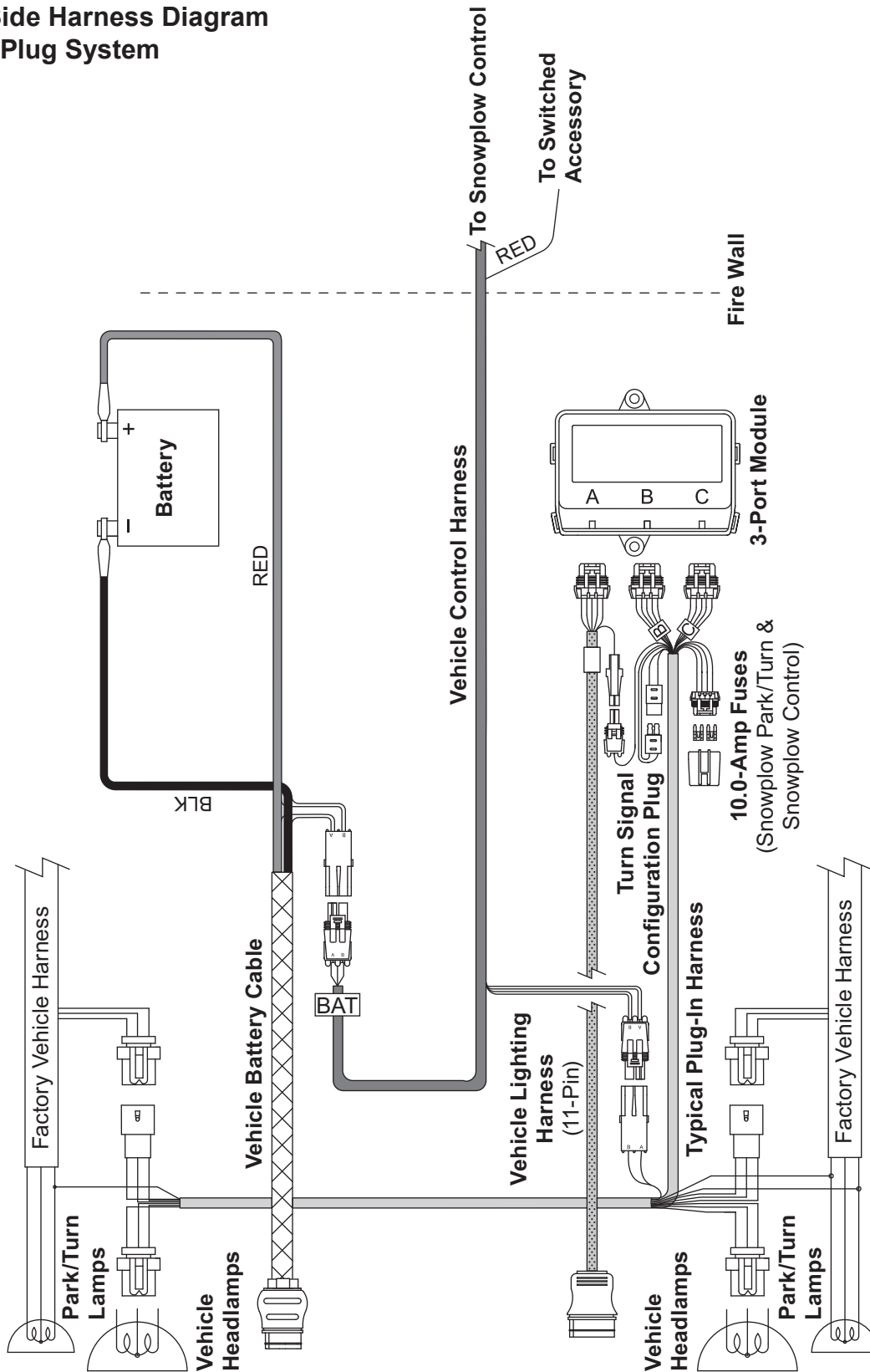
Electrical Components



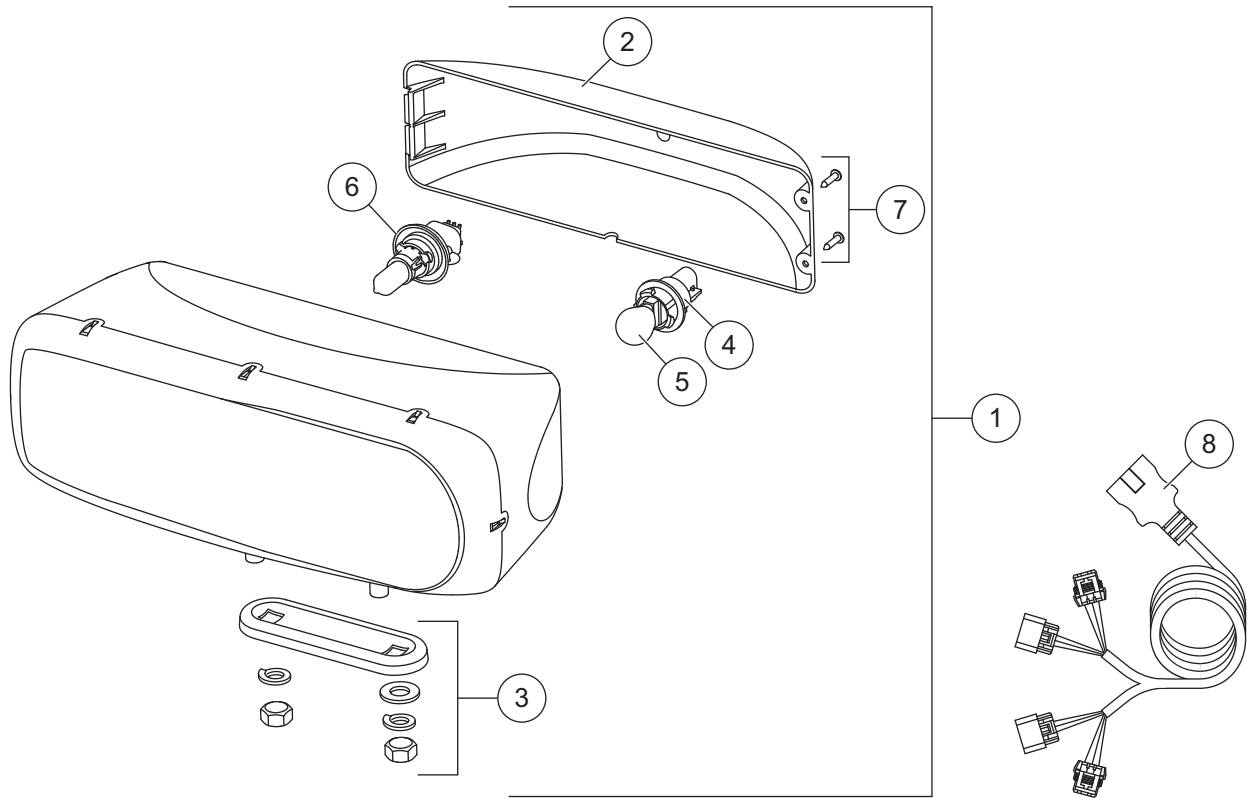
Plow-Side Electrical Components							
Item	Part	Qty	Description	Item	Part	Qty	Description
1	44354-3	1	Plow Module	6	40576	1	Switch, Toggle – MOM-ON, OFF, MOM-ON
2	44355	2	1/4-20 x 5/8 Hex Washer-Head Thread-Rolling Screw	7	48259	2	Boot, Switch
3	91331	2	1/4-20 Hex Locknut GB	8	61246	1	Cable Boot
4	48294	5	Coil w/Wire Leads				
5	40575	1	Switch, Toggle – MOM-ON, OFF, ON				
Vehicle-Side Electrical Components							
*	42014	1	Cable Assembly, Vehicle	ns	48325	2	Plug Cover
*	28587	1	Control Harness, Vehicle				
ns = not shown				G = Grade			

* For diagram see Vehicle-Side Harness Diagram

Vehicle-Side Harness Diagram
3-Port, 2-Plug System



Headlamp Kit



28800-1 Headlamp Kit (Pair)						
Item	Part	Qty	Description	Item	Part	Qty Description
1	28801-1	1	Headlamp Service Kit DS	5	2	Park/Turn Bulb (Trade No. 4157NAK)
ns	28802-1	1	Headlamp Service Kit PS	6	28806	2 H13 Headlamp Bulb Service Kit
2	28803-1	2	Rear Cover Kit (fits 2 or 3 screw)	7	28808-1	2 Cover Screws Service Kit (3 screws)
3	28804	2	Mounting Hardware Kit	8	28213K	1 Harness Service Kit
4	28805	2	Park/Turn Socket Service Kit			

ns = not shown



Blizzard
PO Box 245038
Milwaukee, WI 53224-9538
www.blizzardplows.com

 A DIVISION OF DOUGLAS DYNAMICS, L.L.C.

Copyright © 2009 Douglas Dynamics, L.L.C. All rights reserved. This material may not be reproduced or copied, in whole or in part, in any printed, mechanical, electronic, film or other distribution and storage media, without the written consent of Blizzard. Authorization to photocopy items for internal or personal use by Blizzard outlets or snowplow owner is granted.

Blizzard reserves the right under its product improvement policy to change construction or design details and furnish equipment when so altered without reference to illustrations or specifications used. Blizzard or the vehicle manufacturer may require or recommend optional equipment for snow removal. Do not exceed vehicle ratings with a snowplow. Blizzard offers a limited warranty for all snowplows and accessories. See separately printed page for this important information. The following are registered (®) or unregistered (™) trademarks of Douglas Dynamics, L.L.C.: BLIZZARD®, POWER HITCH™, POWER HITCH™ 2.

Printed in U.S.A.