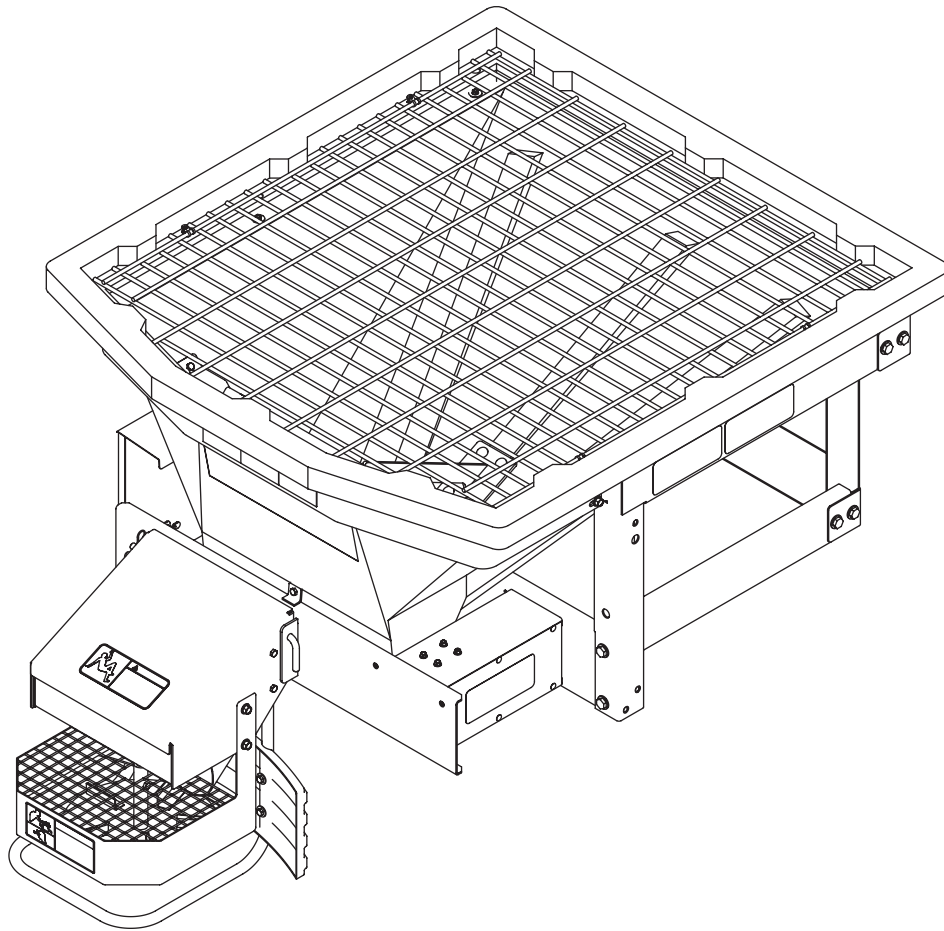




V-Pro™ UTV Hopper Spreader

32200

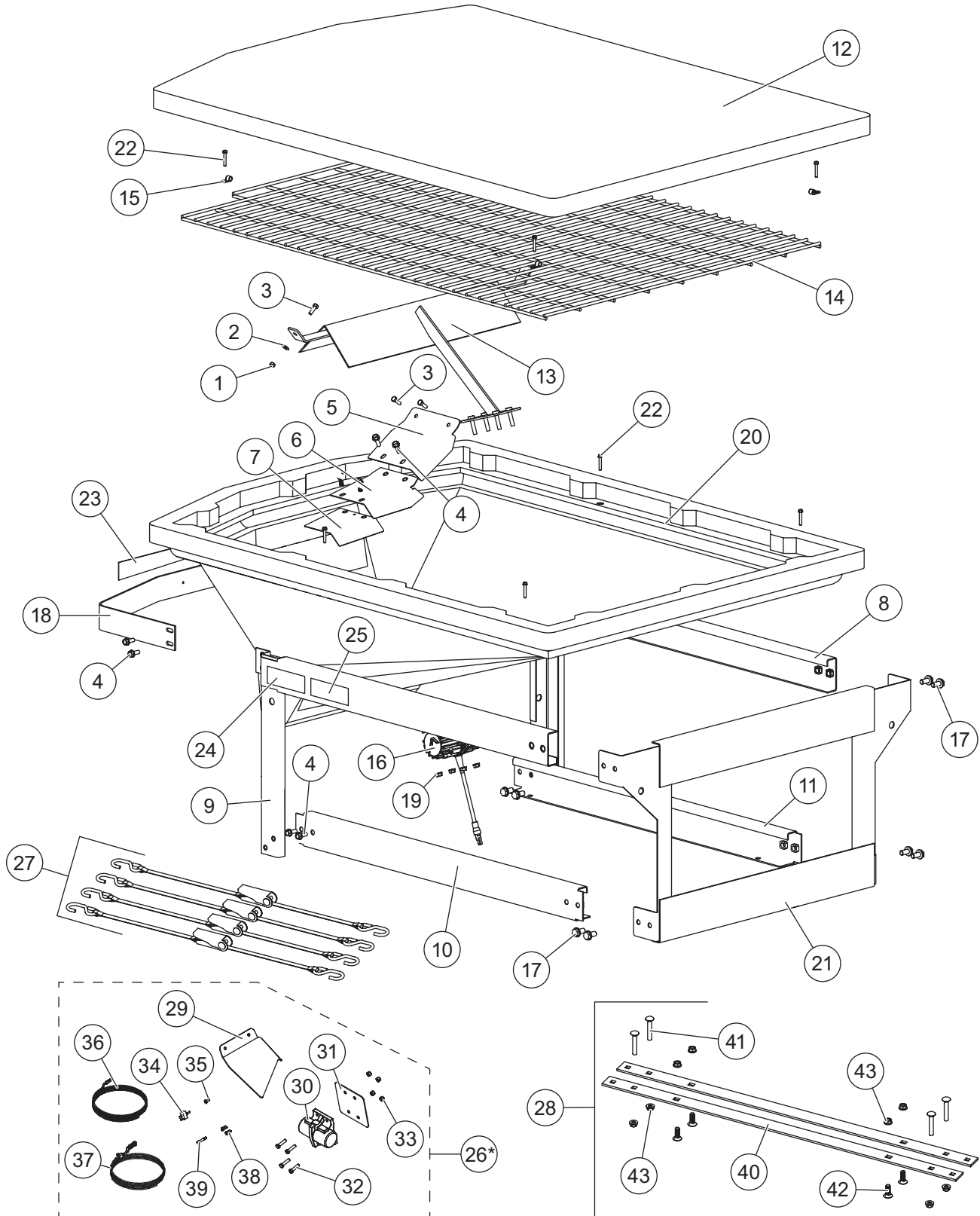
Parts List



This Parts List is for SnowEx® 32200 UTV hopper spreaders
with serial numbers beginning with 190901 and higher.

32200 V-PRO™ UTV HOPPER SPREADER

FRAME ASSEMBLY



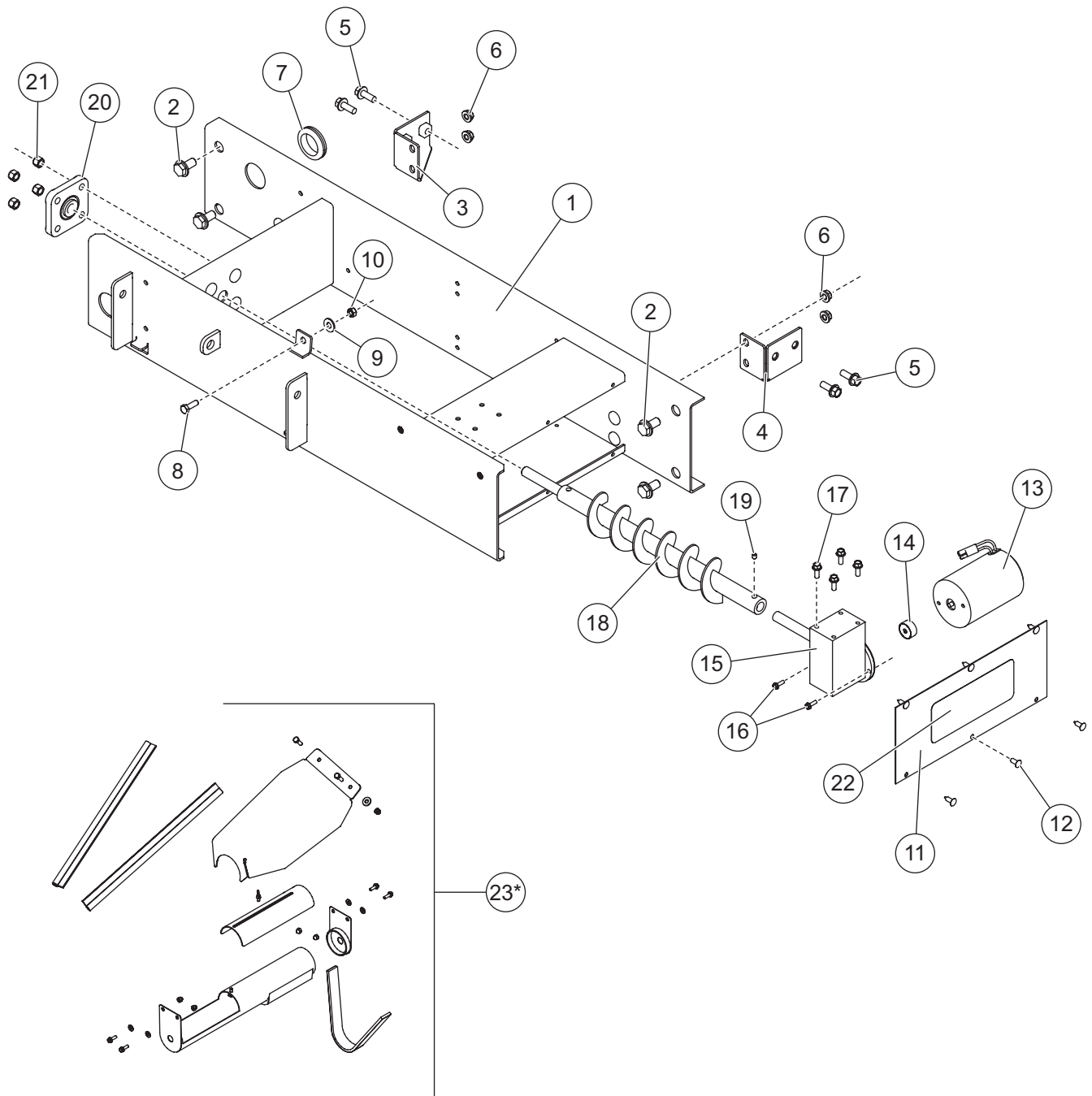
32200 V-PRO™ UTV HOPPER SPREADER

Frame Assembly							
Item	Part	Qty	Description	Item	Part	Qty	Description
1	91332	4	5/16-18 Hex Locknut GB	17	51074	8	1/2-13 x 1 Serrated Flange Hex Cap Screw
2	90313	4	5/16 Flat Washer	18	51075	1	Hopper Apron
3	68494	4	5/16-18 x 1 Hex Cap Screw	19	51092	4	3/8-16 Serrated Flange Nut
4	51049	12	3/8-16 x 1 Serrated Flange Hex Cap Screw	20	77003	1	Hopper, 11 ft ³ , SnowEx®
5	51052	1	Main Baffle	21	51099	1	Front Frame
6	51053	1	Secondary Baffle	22	51103	8	1/4 x 1-1/2 Driller Screw w/Washer
7	51054	1	Third Baffle	23	51104	1	Conspicuity Tape
8	93120	1	Frame, DS	24	93115	1	Label – Danger, Do Not Remove Spreader
9	93119	1	Frame, PS	25	11100	1	Label – Warning, Rear Camera
10	93121	1	Lower Rail, PS	ns	93107	1	Label – Warning, GVWR
11	93122	1	Lower Rail, DS	ns	93106	1	Label – Warning, Read Manual
12	93116	1	Tarp Kit	26*	51106	1	Optimum Flow Kit
13	93118	1	Inverted V, 11 ft ³ Hopper	27	51063	1	Ratchet Strap (pkg of 4)
14	93117	1	Top Screen, 11 ft ³ Hopper	28	93108	1	UTV Mounting Kit
15	D6509	4	1/4 Clamp				
16	51068	1	DC-200 Vibrator				
Item 26*				51106 Optimum Flow Kit			
29	88295	1	Opti-Flow Baffle	35	88291	1	Rubber Switch Boot
30	88283	1	DC-80 Vibrator	36	88289	1	Spreader/Vehicle Harness, 20'
31	88284	1	Vibrator Backing Plate	37	88290	1	Battery Harness, 10'
32	90043	4	3/8-16 x 2 Hex Cap Screw G5	38	88294	2	Spade Connector
33	91333	4	3/8-16 Hex Locknut GB	39	88287	1	Butt Connector
34	88285	1	ON/OFF Switch	ns	88288	1	Dielectric Grease
Item 28				93108 UTV Mounting Kit			
40		2	UTV Mounting Bar	42		8	1/2-13 x 1-1/2 Carriage Bolt
41		4	1/2-13 x 3 Carriage Bolt	43		8	1/2-13 Serrated Flange Nut
G = Grade		DS = Driver-Side		PS = Passenger-Side		SS = Stainless Steel	
						ns = not shown	

* = Accessory Only

32200 V-PRO™ UTV HOPPER SPREADER

AUGER ASSEMBLY



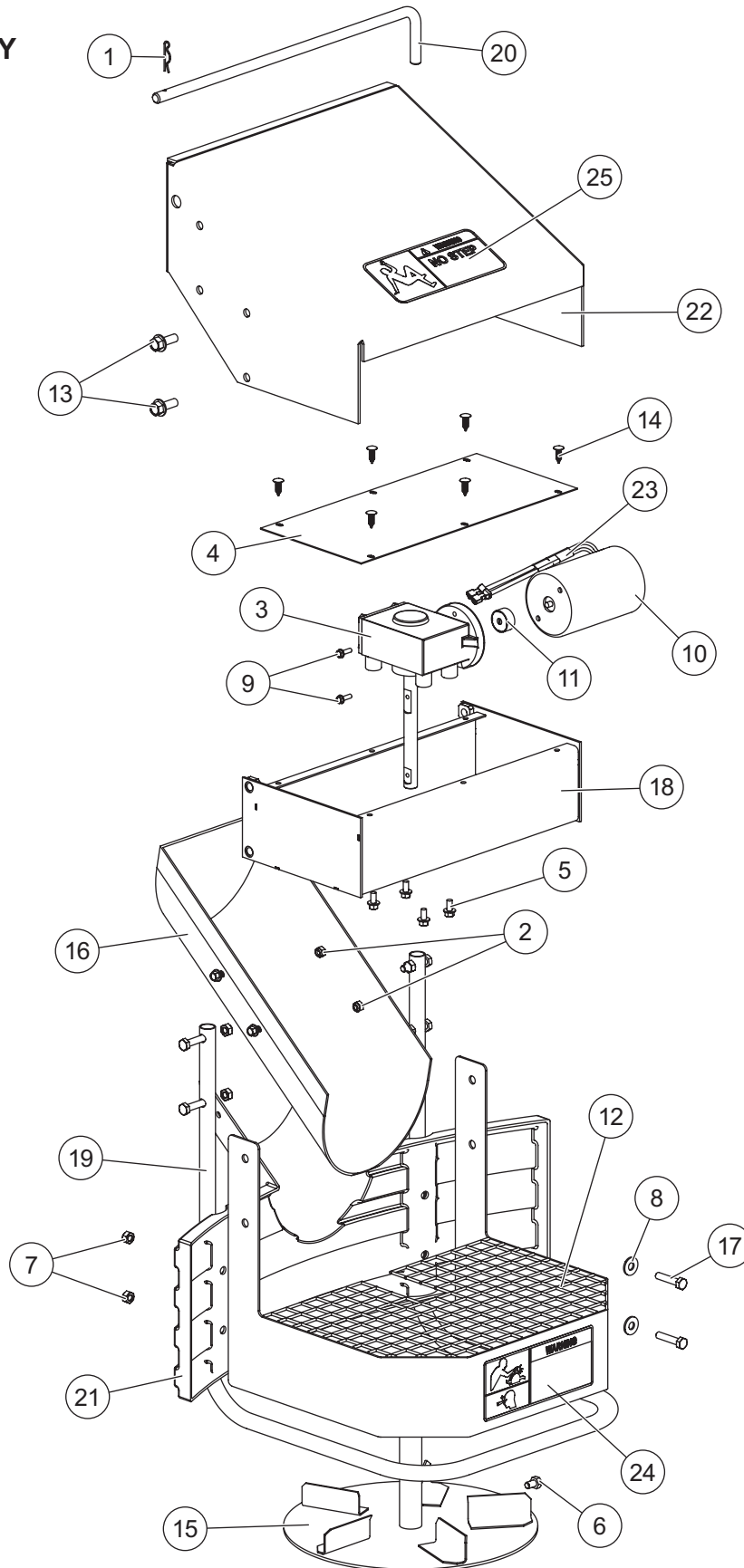
32200 V-PRO™ UTV HOPPER SPREADER

Auger Assembly							
Item	Part	Qty	Description	Item	Part	Qty	Description
1	51076	1	Auger Drive Frame	13	51040	1	3" 12V DC Motor w/2-Pin Connector
2	51074	4	1/2-13 x 1 Serrated Flange Hex Cap Screw	14	51041	1	Motor Drive Coupler
3	51098	1	Lower Rail Mount Bracket, Left	15	51090	1	Transmission 30:1
4	88269	1	Lower Rail Mount Bracket, Right	16	51039	2	#10-32 x 5/8 Serrated Flange Hex Cap Screw w/Patch
5	51049	4	3/8-16 x 1 Serrated Flange Hex Cap Screw	17	51031	4	1/4-20 x 3/4 Serrated Flange Hex Cap Screw SS
6	51092	4	3/8-16 Serrated Flange Nut	18	51087	1	Auger
7	11066	1	Grommet – 1.5" ID, 2.125" OD	19	51034	1	5/16-18 x 3/8 Set Screw
8	68494	1	5/16-18 x 1 Hex Cap Screw G5	20	68662	1	5/8 Bearing 4-Bolt Flange
9	90313	1	5/16 Flat Washer	21	D4124	4	3/8-16 Locknut
10	91332	1	5/16-18 Hex Locknut GB	22	93114	1	Label – Warning, Rotating Auger
11	51077	1	Auger Motor Cover	23*	51107	–	Auger Tube Restrictor Kit
12	51050	6	1/4 x 3/4 x 1/2 Push Retainer				
		SS = Stainless Steel				G = Grade	
						ID = Inner Diameter	
						OD = Outer Diameter	

* = Accessory Only

32200 V-PRO™ UTV HOPPER SPREADER

DRIVE ASSEMBLY

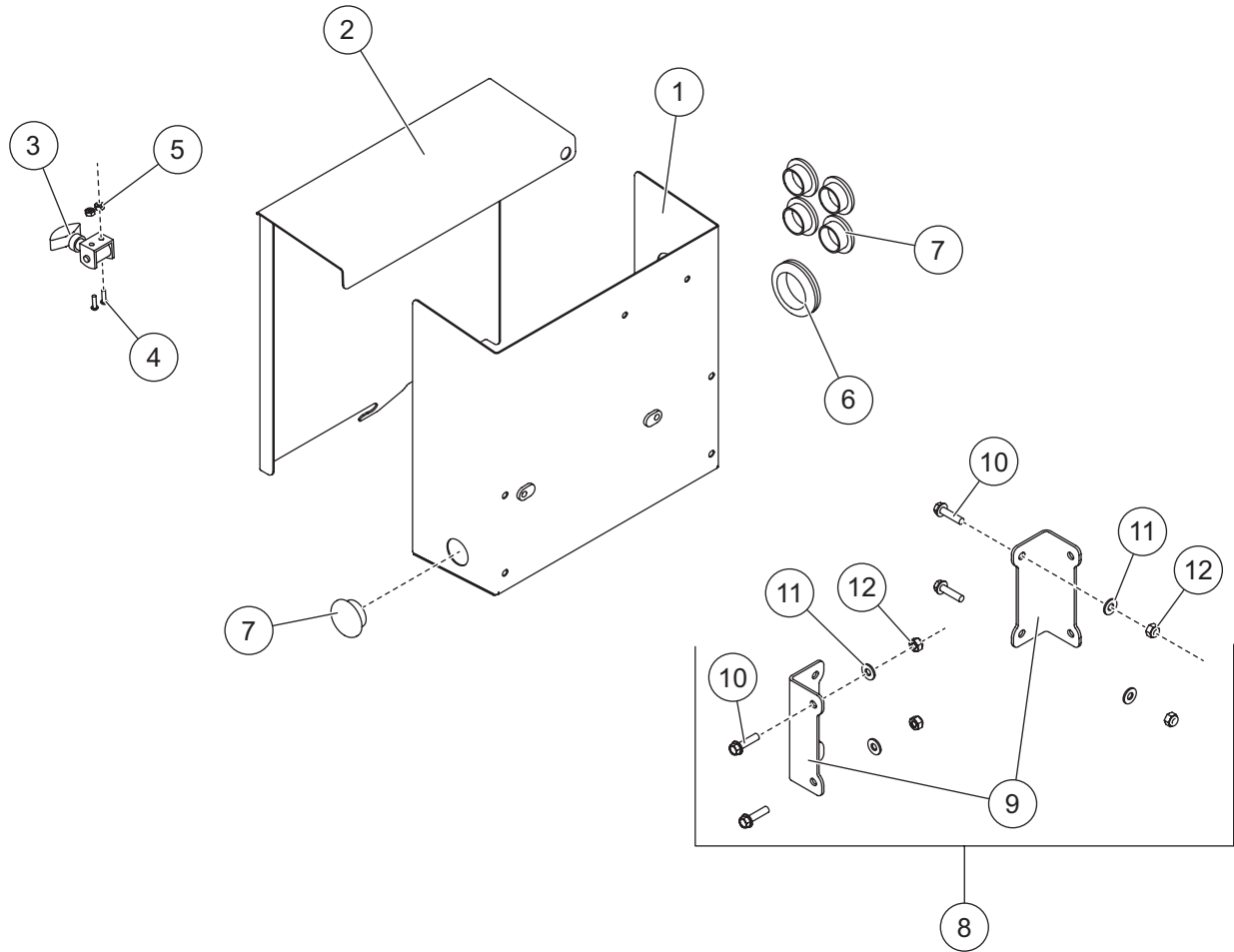


32200 V-PRO™ UTV HOPPER SPREADER

76385 Drive Assembly							
Item	Part	Qty	Description	Item	Part	Qty	Description
1	51024	1	0.093 x 2-3/8 Hairpin Cotter	13	51049	4	3/8-16 x 1 Serrated Flange Hex Cap
2	91331	4	1/4-20 Hex Locknut GB	14	51050	6	1/4 x 3/4 x 1/2 Push Retainer
3	51028	1	Transmission 8:1	15	51069	1	Spinner w/Extended Shaft 12"
4	51029	1	Spinner Drive Enclosure Cover	16	51070	1	Material Chute
5	51030	4	1/4-20 x 1/2 Serrated Flange Hex Cap Screw SS	17	51072	8	5/16-18 x 1-1/2 Tapping Screw
6	51032	1	5/16-18 x 1/2 Hex Cap Screw G5	18	51080	1	Spinner Drive Enclosure
7	91332	8	5/16-18 Hex Locknut GB	19	51081	1	Tubular Spinner Guard
8	90313	4	5/16 Flat Washer	20	93123	1	Bent Pin
9	51039	2	#10-32 x 5/8 Serrated Flange Hex Cap Screw w/Patch	21	51089	1	Spinner Deflector
10	51040	1	3" 12V DC Motor w/2-Pin	22	51091	1	Drive Enclosure Shroud
11	51041	1	Motor Drive Coupler	23	51097	1	Auger Motor Connector
12	93112	1	Spinner Guard	24	93109	1	Label – Warning, Rotating Parts
				25	93110	1	Label – Warning, No Step
SS = Stainless Steel				G = Grade			

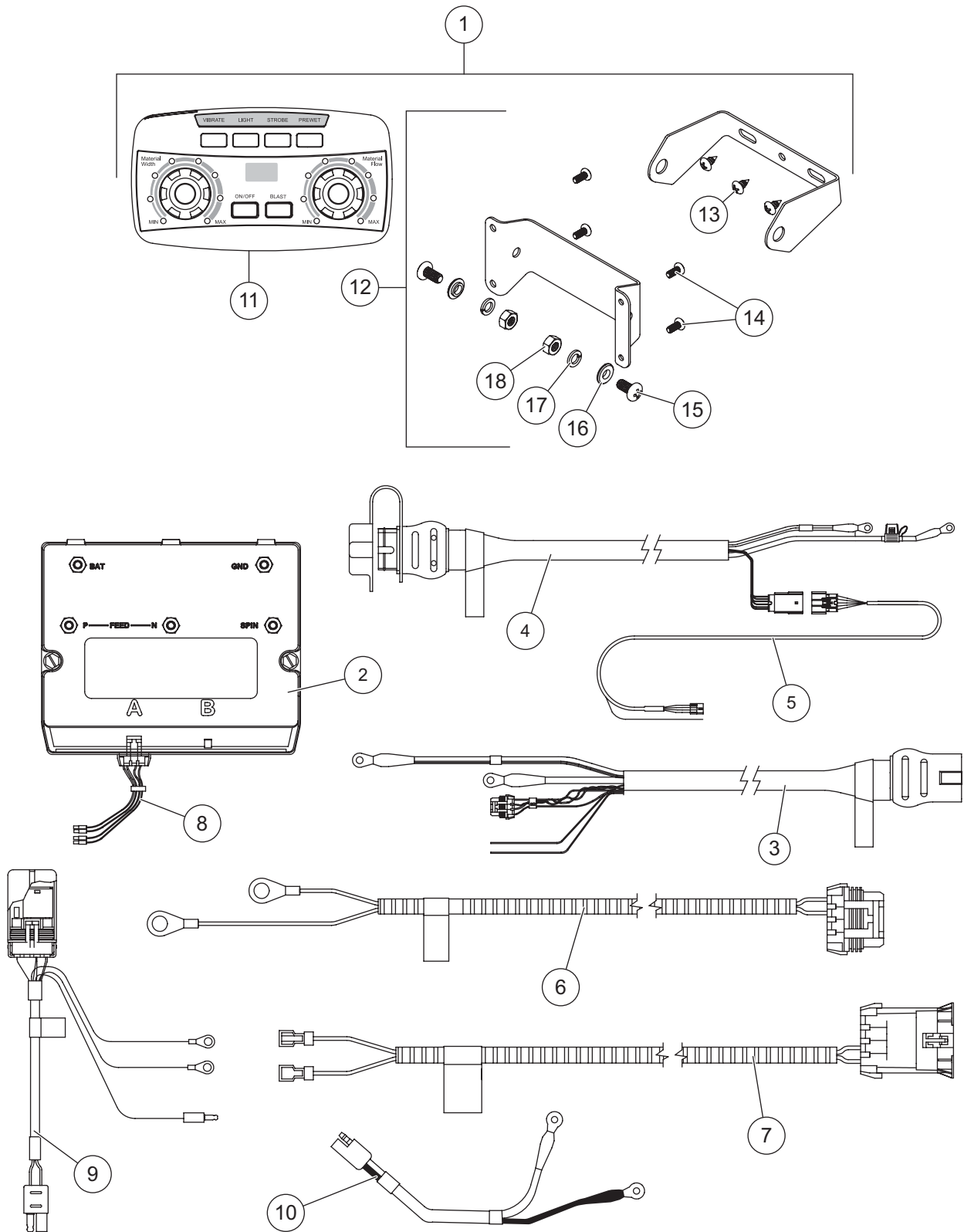
32200 V-PRO™ UTV HOPPER SPREADER

ELECTRICAL BOX ASSEMBLY



32200 V-PRO™ UTV HOPPER SPREADER

ELECTRICAL COMPONENTS



32200 V-PRO™ UTV HOPPER SPREADER

Electrical Components							
Item	Part	Qty	Description	Item	Part	Qty	Description
1	52460	1	Spreader Control Kit	7	78359	1	Spinner Motor Cable Assembly w/ Blade Terminal
2	52375	1	Spreader Module, 5-Post	8	69893	1	10-Pin Connector w/Four Wires
3	72092	1	Spreader Harness, 7-Pin	9	78382	1	Vibrator Harness Assembly
4	72090	1	Vehicle Cable Assembly	10	78397	1	Auger Motor Harness
5	69902	1	Vehicle Control Harness				
6	78361	1	Spinner Motor Cable Assembly w/ Ring Terminals				
Item 1				52460 Spreader Control Kit			
11	52442	1	Spreader Control	12	52345	1	Control Bracket Kit
Item 12				52345 Control Bracket Kit			
13		3	#10 x 3/8 Pan Head Tapping Screw SS	16		2	1/4 Shoulder Washer SS
14		4	#8 x 3/8 Pan Head Machine Screw	17		2	1/4 Lock Washer SS
15		2	1/4-20 x 1/2 Pan Head Machine Screw SS	18		2	1/4-20 Hex Nut G5
SS = Stainless Steel				G = Grade			

32200 V-PRO™ UTV HOPPER SPREADER



TrynEx International
531 Ajax Drive
Madison Heights, MI 48071-2429
www.snowexproducts.com

 A DIVISION OF DOUGLAS DYNAMICS, LLC

Copyright © 2019 Douglas Dynamics, LLC. All rights reserved. This material may not be reproduced or copied, in whole or in part, in any printed, mechanical, electronic, film, or other distribution and storage media, without the written consent of TrynEx International, LLC. Authorization to photocopy items for internal or personal use by TrynEx International outlets or spreader owner is granted.

TrynEx International reserves the right under its product improvement policy to change construction or design details and furnish equipment when so altered without reference to illustrations or specifications used. TrynEx International or the vehicle manufacturer may require or recommend optional equipment for spreaders. Do not exceed vehicle ratings with a spreader. TrynEx International offers a limited warranty for all spreaders and accessories. See separately printed page for this important information. The following are registered (®) or unregistered (™) trademarks of Douglas Dynamics, LLC: SnowEx®, V-Pro™.

Printed in U.S.A.