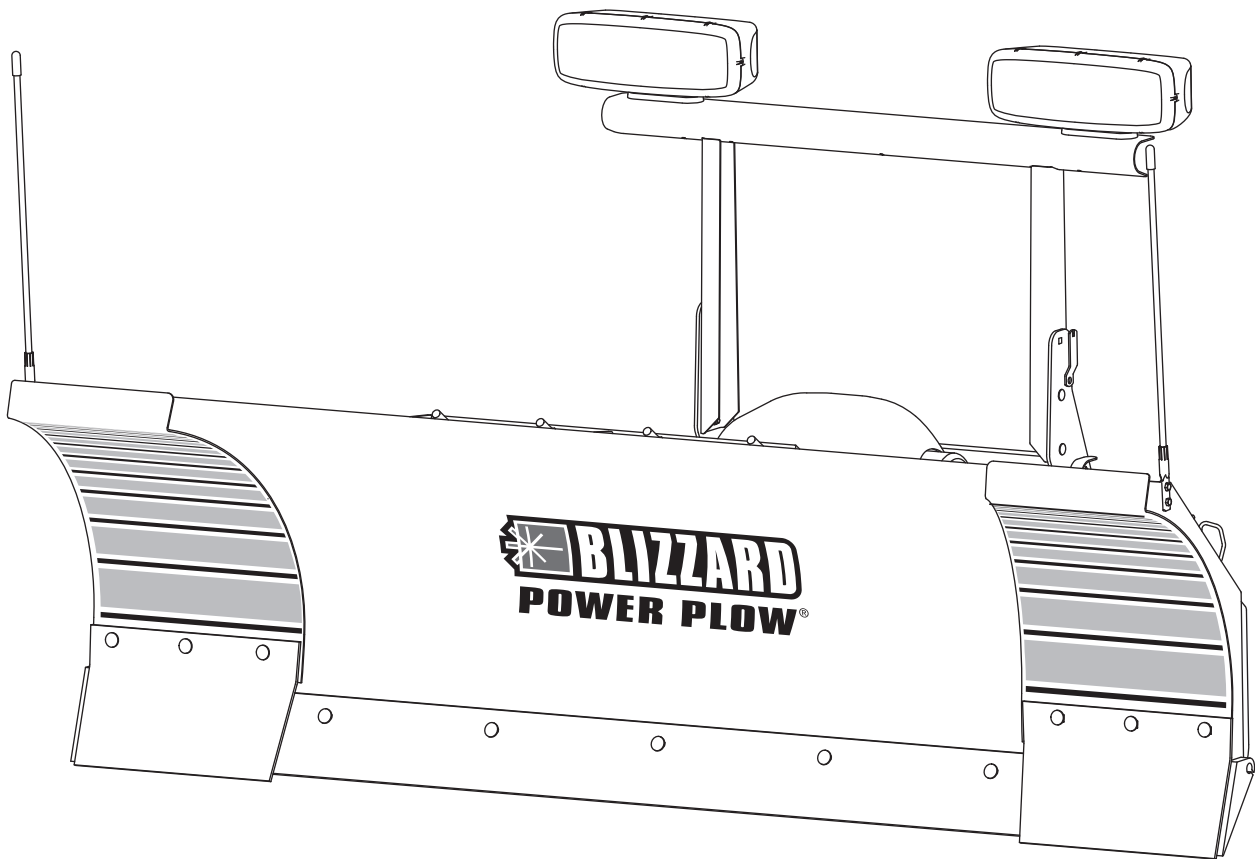


BLIZZARD® **SNOWPLOWS**

POWER PLOW® Snowplows

8100PP & 86110LP Blade Crate Assembly

Parts List



BLADE COMPONENTS 2

OFF-TRUCK KITS 6

Pivot Beam, Light Tower and A-Frame..... 6

Hydraulic Unit 8

 Hoses and Fittings 10

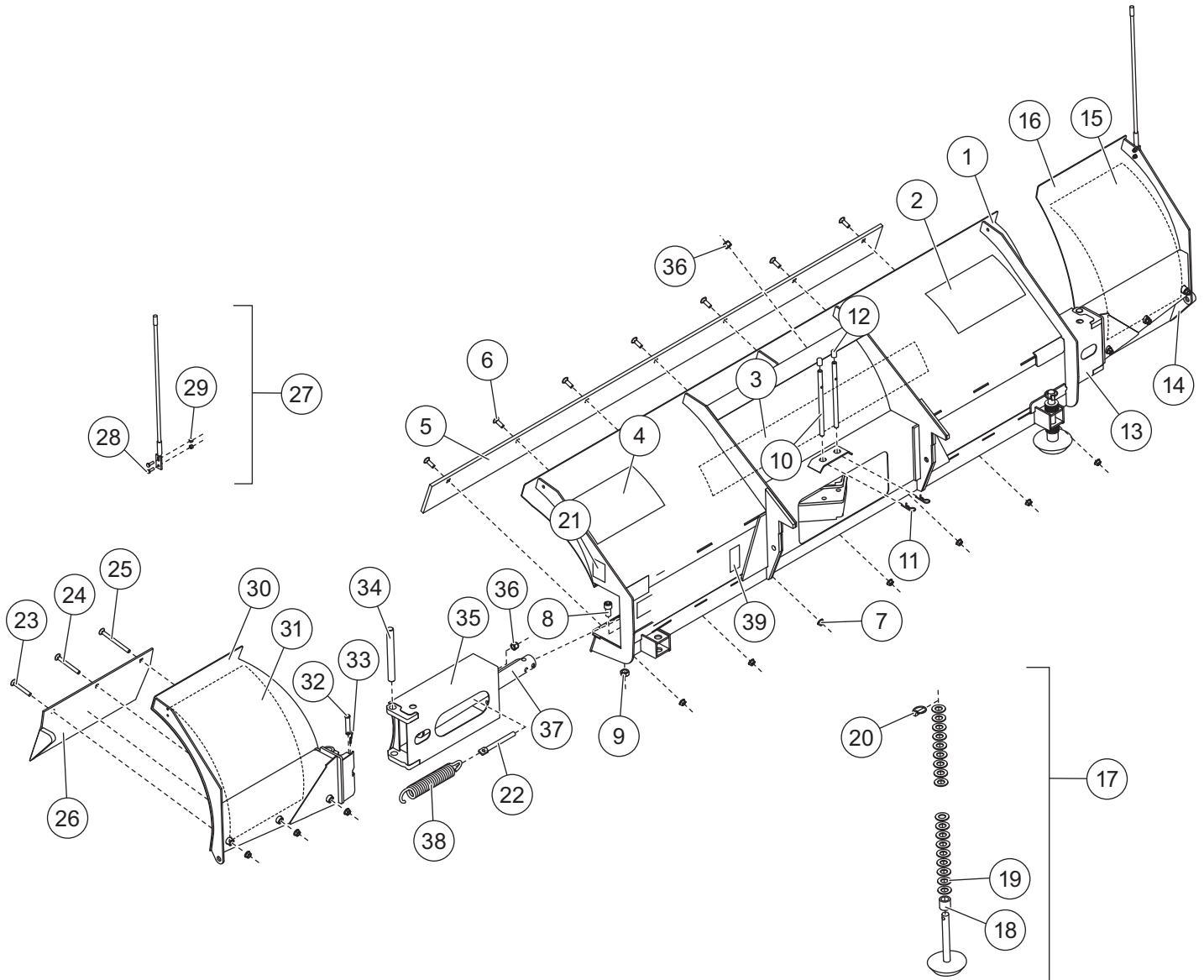
 Lift and Angle Rams 11

 Electrical Components..... 12

Vehicle-Side Wiring Diagram – 3-Port, 2-Plug Systems..... 13

Headlamp Kit..... 14

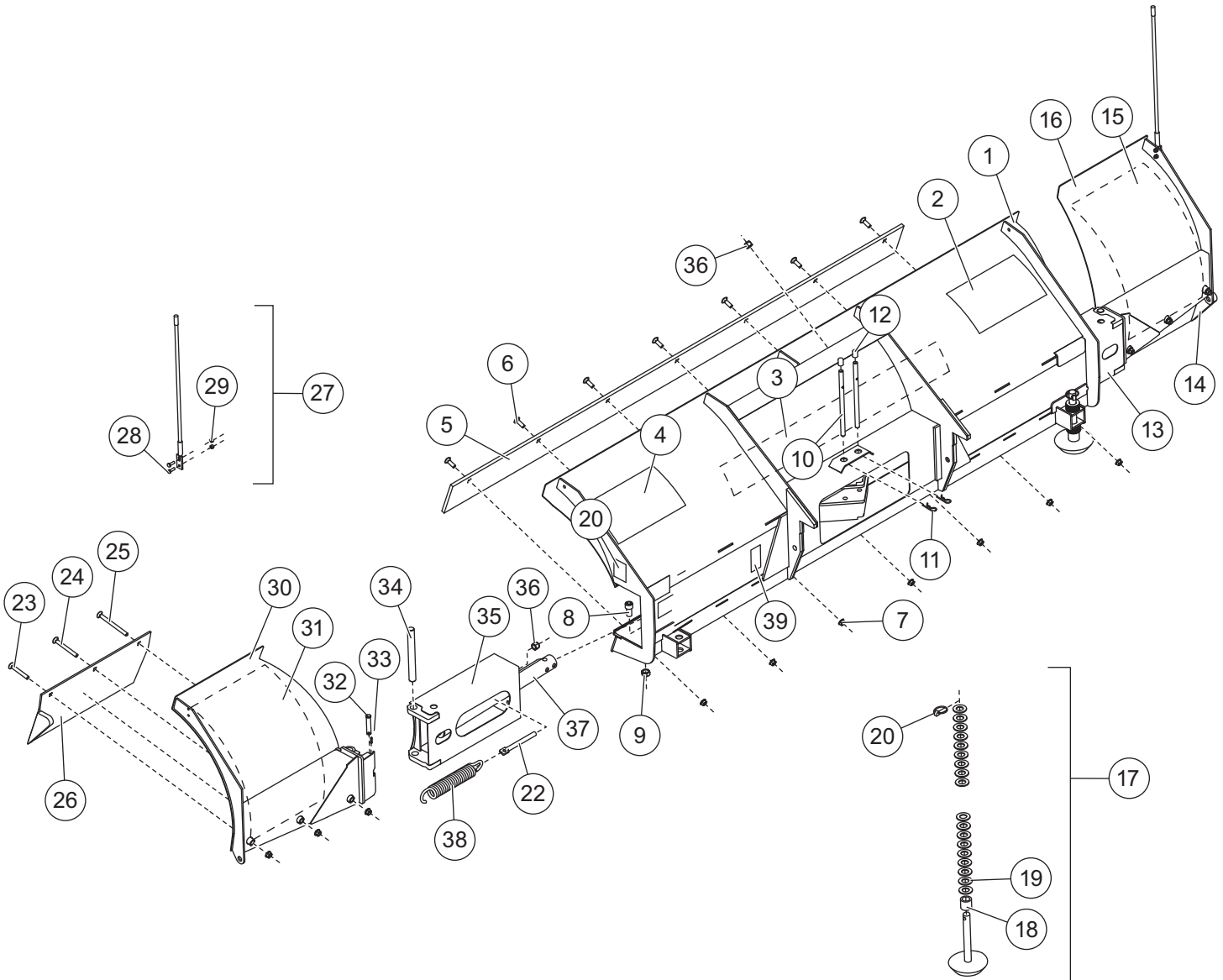
Blade Components



Blade Components			
Item	Part	Qty	Description
1	41174	1	Moldboard
2	59900	1	Label – Information (Warning)
3	B63160	1	Label – POWER PLOW® Center
4	49443	1	Label – POWER HITCH™ 2 Attach/Detach
5	B11962	1	1/2" Moldboard Cutting Edge (1080)
6	B61196	7	1/2-13 x 1-1/2 Carriage Bolt G8
7	B61365	13	1/2-13 Flanged Locknut
G = Grade			

Blade Components			
Item	Part	Qty	Description
8	B61618	2	3/4-10 x 1-1/2 Screw
9	B61593	2	3/4-10 Hex Locknut G8
10	B11989	2	Slide Box Extend/Retract Pin
11	B61030	2	1/8 x 2-5/8 Hair Cotter Pin
12	B61198	2	5/8 ID, 3/4 OD x 1 Black Vinyl Cap
13	B55066	1	Slide Box – PS
14	B55007	1	Wing Cutting Edge – PS (T1)
15	96332	1	Wing Decal – PS
16	B55068	1	Wing – PS
17	49071	2	HD Disc Shoe Assy
18	60045	2	1-1/8 ID, 1-5/8 OD x 1-1/2 Spacer
19	91192	52	Flat Washer Special
20	93010	2	7/16 x 1-3/4 Linchpin
21	29593	4	Label – Multiple Pinch Points
22	B61201	2	5/8-11 x 4-3/8 Spade Bolt
23	B61418	2	1/2-13 x 3-1/2 Carriage Bolt G8
24	B61419	2	1/2-13 x 4-1/2 Carriage Bolt G8
25	B61622	2	1/2-13 x 5-3/4 Carriage Bolt G8
26	B55006	1	Wing Cutting Edge – DS (T1)
27	B61049	1	Plow Guide Assembly (Set of 2)
28	68494	4	5/16-18 x 1 Hex Cap Screw G5
29	91332	4	5/16-18 Hex Locknut GB
30	B55067	1	Wing – DS
31	96331	1	Wing Decal – DS
32	B61385	2	5/8 x 3 Clevis Pin
33	90601	2	1/4 x 1-1/2 Cotter Pin
34	B55042	2	Wing Pivot Pin
35	B55065	1	Slide Box – DS
36	91337	4	5/8-11 Hex Locknut GB
37	B60207	2	Slide Box Extend/Retract Hydraulic Cylinder
38	B61167	2	3/8 x 2-5/8 x 12-1/2 Extension Spring
39	29256	1	Label – Foot Crush Hazard
G = Grade			

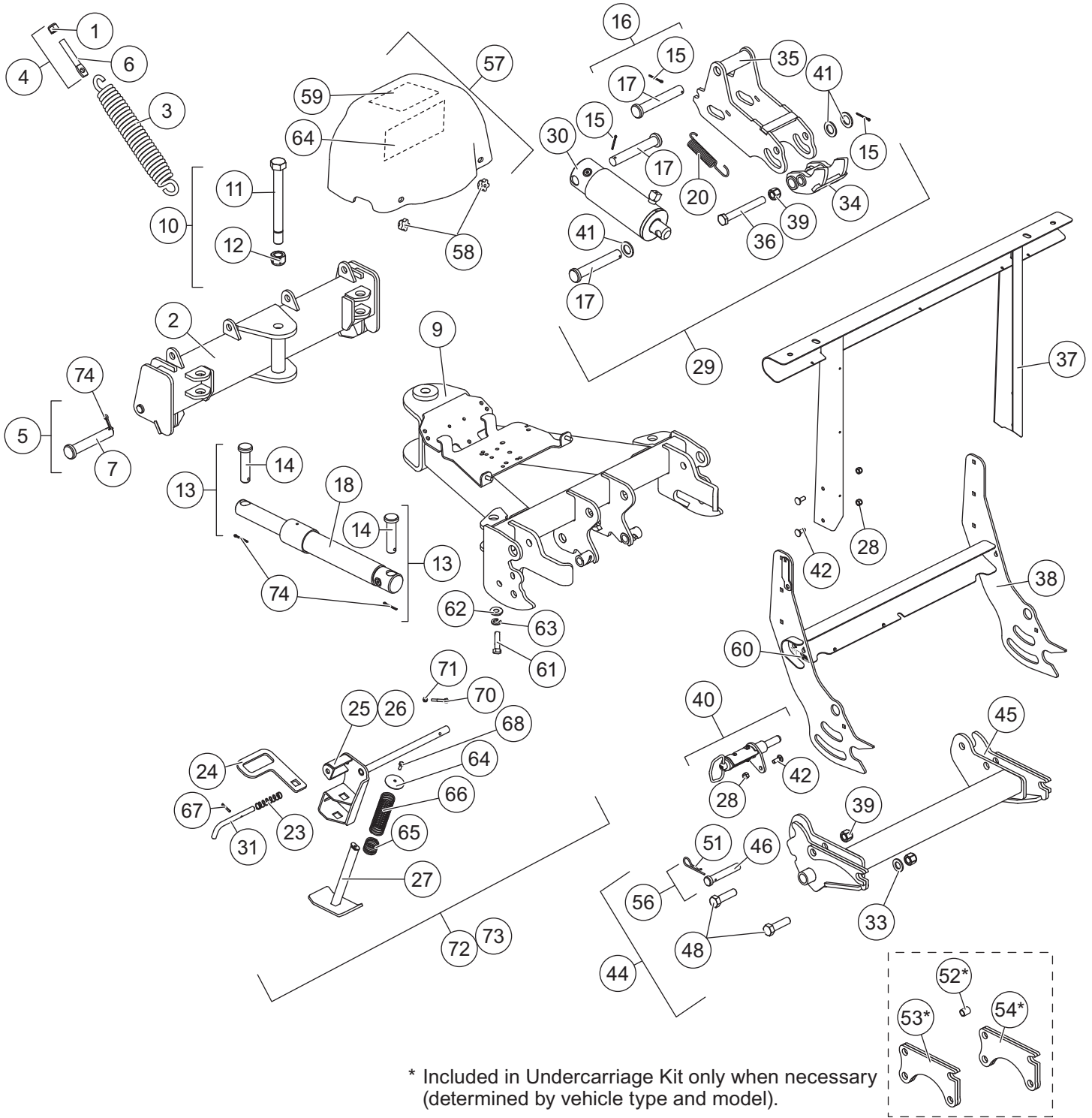
Blade Components



Blade Components			
Item	Part	Qty	Description
1	41173	1	Moldboard
ns	41171	1	Service Moldboard Assy (Incl. Items 1–39)
2	59900	1	Label – Information (Warning)
3	B63160	1	Label – POWER PLOW® Center
4	49443	1	Label – POWER HITCH™ 2 Attach/Detach
5	B61292	1	1/2" Moldboard Cutting Edge
6	B61196	7	1/2-13 x 1-1/2 Carriage Bolt G8
		ns = not shown	G = Grade

Blade Components			
Item	Part	Qty	Description
7	B61365	13	1/2-13 Flanged Locknut
8	B61618	2	3/4-10 x 1-1/2 Screw
9	B61593	2	3/4-10 Hex Locknut G8
10	B11989	2	Slide Box Extend/Retract Pin
11	B61030	2	1/8 x 2-5/8 Hair Cotter Pin
12	B61198	2	5/8 ID, 3/4 OD x 1 Black Vinyl Cap
13	B55066	1	Slide Box – PS
14	B51047	1	Wing Cutting Edge – PS
15	96326	1	Wing Decal – PS
16	40740	1	Wing – PS
17	49071	2	HD Disc Shoe Assy
18	60045	2	1-1/8 ID, 1-5/8 OD x 1-1/2 Spacer
19	91192	44	Flat Washer Special
20	93010	2	7/16 x 1-3/4 Linchpin
21	29593	4	Label – Multiple Pinch Points
22	B61201	2	5/8-11 x 4-3/8 Spade Bolt
23	B61418	2	1/2-13 x 3-1/2 Carriage Bolt G8
24	B61419	2	1/2-13 x 4-1/2 Carriage Bolt G8
25	B61622	2	1/2-13 x 5-3/4 Carriage Bolt G8
26	B51048	1	Wing Cutting Edge – DS
27	B61049	1	Plow Guide Assembly (Set of 2)
28	68494	4	5/16-18 x 1 Hex Cap Screw G5
29	91332	4	5/16-18 Hex Locknut GB
30	40739	1	Wing – DS
31	96325	1	Wing Decal – DS
32	B61385	2	5/8 x 3 Clevis Pin
33	90601	2	1/4 x 1-1/2 Cotter Pin
34	B55042	2	Wing Pivot Pin
35	B55065	1	Slide Box – DS
36	91337	6	5/8-11 Hex Locknut GB
37	B60347	2	Slide Box Extend/Retract Hydraulic Cylinder
38	B61167	2	3/8 x 2-5/8 x 12-1/2 Extension Spring
39	29256	1	Label – Foot Crush Hazard
		ns = not shown	G = Grade

Pivot Beam, Light Tower and A-Frame Components



* Included in Undercarriage Kit only when necessary (determined by vehicle type and model).

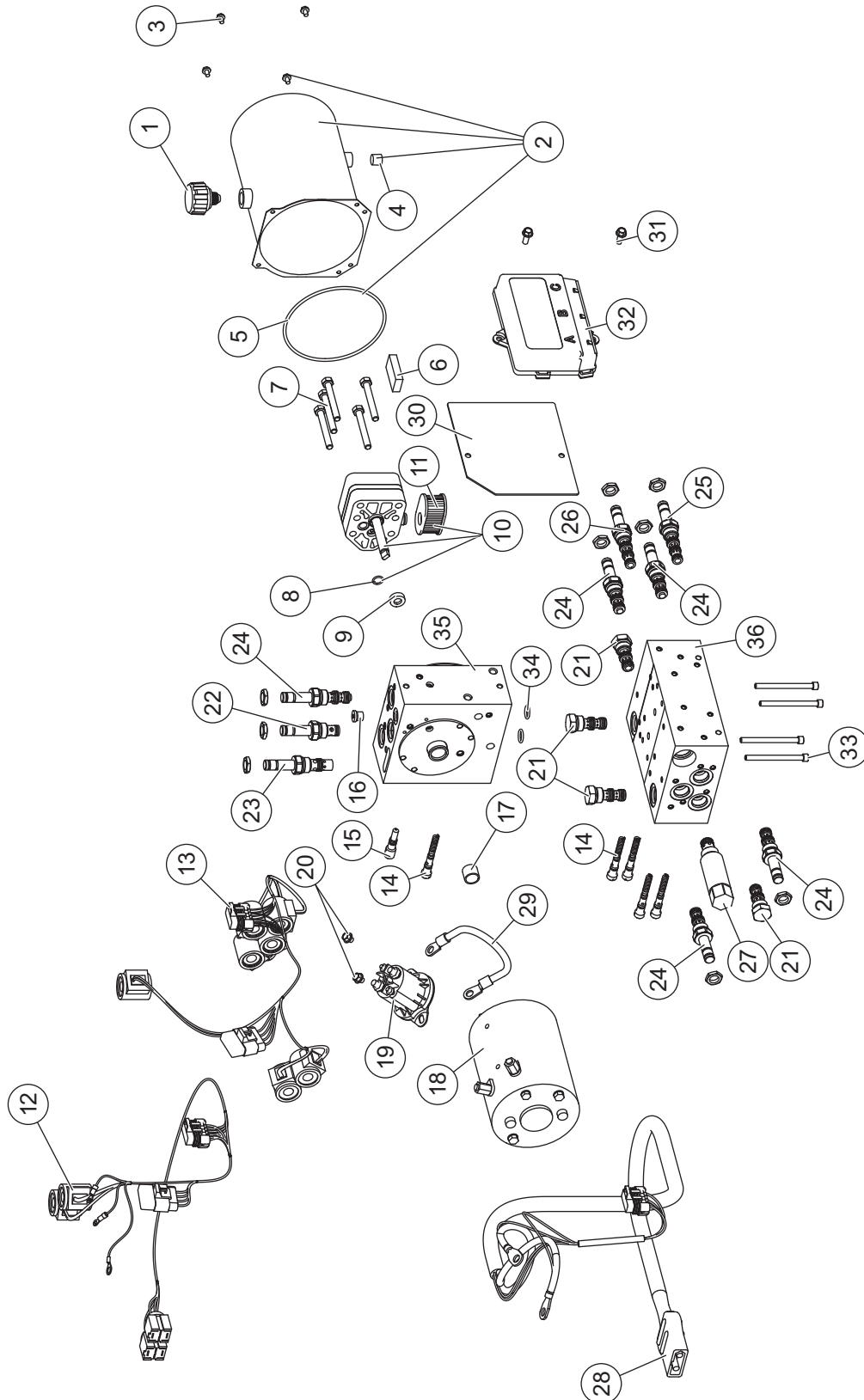
Pivot Beam, Light Tower and A-Frame Components									
Item	Part	Qty		Description	Item	Part	Qty		Description
		8100 PP	86110 LP				8100 PP	86110 LP	
1	91337	4	6	5/8-11 Hex Locknut GB	28	91333	6	6	3/8-16 Hex Locknut GB
2	41118	1	–	Pivot Beam	29	41117	1	1	Draw Latch Assembly
	41127	–	1	Pivot Beam	37	41124	1	1	Light Tower, Upper
3	23039	4	6	Trip Spring	38	41125	1	1	Light Tower, Lower
4	41132	4	6	Eyebolt Kit	39	91338	5	5	3/4-10 Hex Locknut GB
5	41123	2	2	Pivot Pin w/Cotter	40	41129	2	2	Hitch Pin Kit
6	B61416	4	6	5/8-11 x 7-3/8 Eyebolt G2	42	90201	6	6	3/8-16 x 1 Carriage Bolt
7	B50069	2	2	3/4 x 3 Clevis Pin	44	40512	1	1	Mount Adapter Assembly
9	41121	1	1	A-Frame	52*	63212	2	2	Spacer
10	41119	1	1	Pivot Bolt Kit	53*	40514	2	2	Height Adjustment Plate – Tall
11	50605	1	1	1-8 x 9-1/2 Hex Cap Screw G5 SPL	54*	40515	2	2	Height Adjustment Plate – Short
12	91340	1	1	1-8 Hex Locknut GB	56	40517	2	2	Receiver Hardware Kit
13	41122	4	4	Pin Kit	57	41128	1	1	Cover Assembly
14	6816	4	4	1 x 4 Clevis Pin G5	60	48207	1	1	Label, POWER HITCH™ Switch ID
15	91911	3	3	5/32 x 1-1/2 Cotter Pin	61	66437	4	4	5/16-24 x 1 Hex Cap Screw
16	40547	3	3	Ram Pin Kit	62	90313	4	4	5/16 Flat Washer
17	40458	3	3	1 x 6-1/2 Clevis Pin	63	91202	4	4	5/16 Lock Washer
18	41096	2	2	1-3/4 x 11-3/8 Ram Assembly	74	90601	6	6	1/4 x 1-1/2 Cotter Pin
Item 72 41130 Stand Assembly – DS									
23	27461	1	1	Compression Spring	65	67636	1	1	Spring, Lock Stand
24	40635	1	1	Handle	66	67637	1	1	Spring, Return, Stand
25	40649	1	1	Stand – DS	67	67700	1	1	3/16 x 1-1/4 Pin, Roll
27	40651	1	1	Stand Shoe	68	90461	1	1	1/4-20 x 3/4 Hex Cap Screw
31	40662	1	1	Pin – Stand	70	41101	1	1	1/4-20 x 2-1/4 Hex Cap Screw
64	40674	1	1	Cap – Stand Plunger	71	67076	1	1	1/4-20 Hex Locknut GB
Item 73 41131 Stand Assembly – PS									
23	27461	1	1	Compression Spring	65	67636	1	1	Spring, Lock Stand
24	40635	1	1	Handle	66	67637	1	1	Spring, Return, Stand
26	40650	1	1	Stand – PS	67	67700	1	1	3/16 x 1-1/4 Pin, Roll
27	40651	1	1	Stand Shoe	68	90461	1	1	1/4-20 x 3/4 Hex Cap Screw G5
31	40662	1	1	Pin – Stand	70	41101	1	1	1/4-20 x 2-1/4 Hex Cap Screw G8
64	40674	1	1	Cap – Stand Plunger	71	67076	1	1	1/4-20 Hex Locknut GB
Item 29 41117 Draw Latch Assembly									
15	91911	3	3	5/32 x 1-1/2 Cotter Pin	34	41104	1	1	Draw Latch Hook
17	40458	3	3	1 x 6-1/2 Clevis Pin	35	41105	1	1	Draw Latch
20	40660	2	2	Spring	36	66451	1	1	3/4-10 x 6 Hex Cap Screw G5
30	41095	1	1	3-1/2 x 5-1/2 Ram Assembly	39	91338	1	1	3/4-10 Hex Locknut GB
41	91192	3	3	Flat Washer Special					
Item 44 40512 Mount Adapter Assembly									
33	91147	2	2	3/4 Flat Washer Narrow	46	40496	2	2	3/4 x 4-3/8 Clevis Pin
39	91338	4	4	3/4-10 Hex Locknut GB	48	66449	4	4	3/4-10 x 2-3/4 Hex Cap Screw G5
45	40513	1	1	Mount Adapter	51	B61105	2	2	9/64 x 2-11/16 Hairpin Cotter
Item 57 41128 Cover Assembly									
		1	1	Cover	58	B61628	2	2	3/8-16 Clamping Knob
59	48420	1	1	Label, Information – Electric	64	48470	1	1	Label, Information – Hydraulic

ns = not shown

G = Grade

* The height adjustment plates are not included in the Crate Assembly Box, and are not required for all applications. When required, the correct plates are packaged and sold with the Undercarriage Kits.

Hydraulic Unit Components

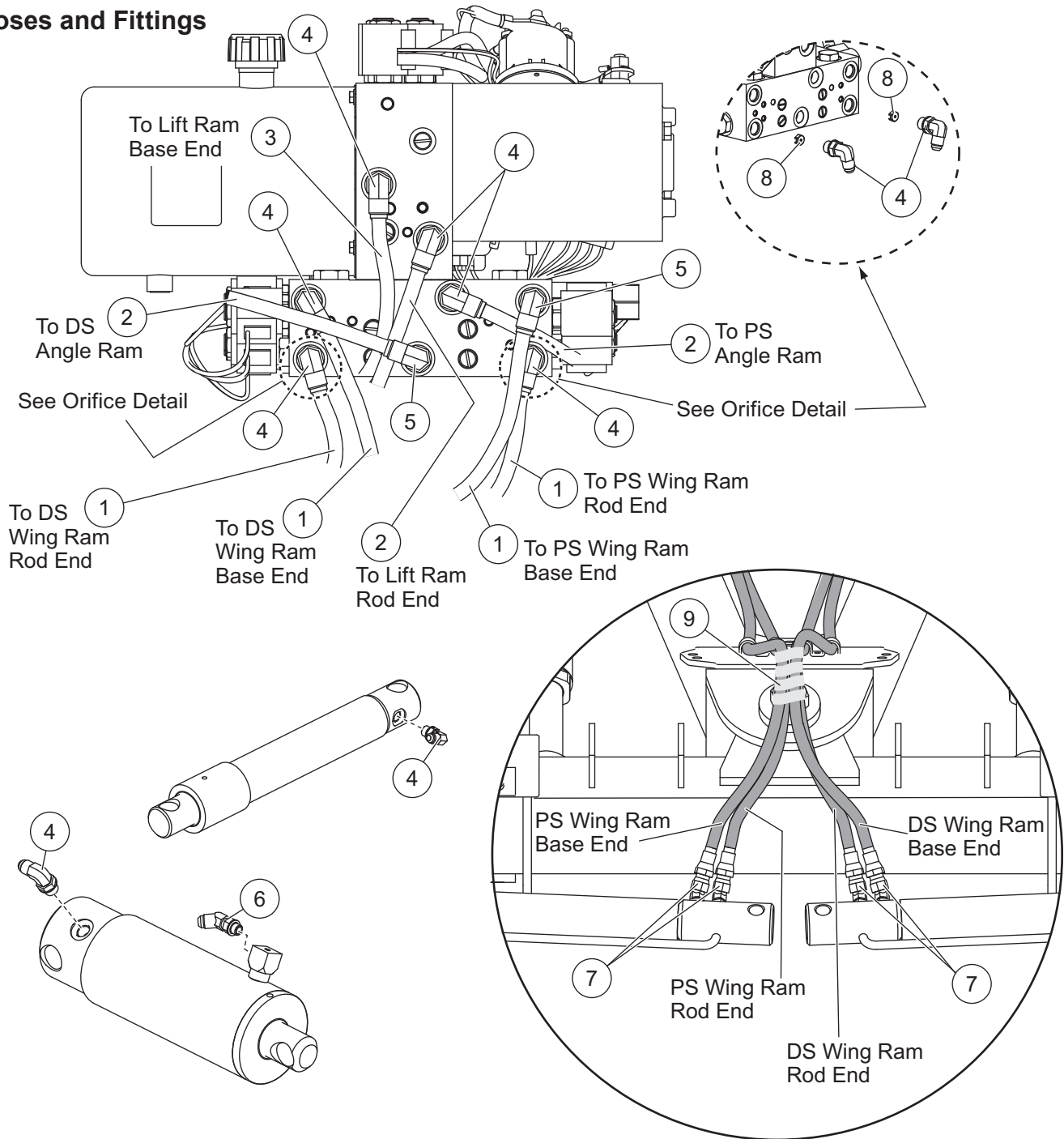


49485 Hydraulic Unit							
Item	Part	Qty	Description	Item	Part	Qty	Description
1	48278	1	Breather	21	49488	4	Valve – 3-Way PO Check
2	49486	1	Reservoir Kit	22	48288	1	Valve – 2-Way NC w/Rev Flow
3	66607	4	10-24 x 5-16 Machine Screw	23	49489	1	Valve – 2-Way w/ Check
4	92095	1	1/4 Plug NPTF Hex Socket	24	49492	5	Valve – 3-Way, 2-Position
5	66519	1	O-Ring – 2-250	25	49490	1	Valve – 4-Way, 2-Position SV08-45
6	73897	1	Magnet	26	49491	1	Valve – 4-Way, 2-Position SV08-41
7	90080	5	5/16-18 x 2-1/2 Hex Cap Screw G5	27	B60168	1	Relief Valve 3000 psi
8	56274	1	O-Ring – 013	28	48295	1	Plow Battery Cable
9	66515	1	Pump Shaft Seal	29	29071	1	Cable Assembly 8"
ns	48302	1	Seal Repair Tool Kit w/Seal	30	48392	1	Module Plate
10	49487	1	Hydraulic Pump Kit	31	44355	2	1/4-20 x 5/8 Hex Washer-Head Thread-Rolling Screw
11	48281	1	Filter	32	44354-2	1	Plow Module
12	29483	1	Plow Control Harness, 2 Coil	33	29081	4	1/4-20 x 3 Socket Cap Screw
13	29493	1	Plow Control Harness, 7 Coil	34	44905	2	O-Ring – 112
14	48283	5	Relief Valve – 1 Set	35	49494	1	Manifold Assy Primary w/o Valves
15	48241	1	Stem Assembly Needle Valve	36	49495	1	Manifold Assy Secondary w/o Valves
16	44344	1	7/16-20 Socket O-Ring Boss Plug	ns		2	Fuse – 5-amp Mini Automotive Blade-Style (for Item 12)
17*	56364	1	Bearing Sleeve	ns		2	Fuse – 4-amp Mini Automotive Blade-Style (for Item 13)
ns	48284	1	Bearing Repair Tool Kit w/Bearing				
18	48285	1	Motor				
19	B80051	1	Relay Kit				
20	29099	2	1/4-20 x 1/4 Hex Washer-Head Thread-Rolling Screw				
O-Ring Service Kits							
–	48301	–	O-Ring Kit	–	48310	–	Seal Kit – 2-Way Valves
–	48309	–	Seal Kit – 3-Way & 4-Way Valves	–	49464	–	Seal Kit, Crossover Relief
Item 35	49494 Manifold Assy Primary w/o Valves						
		1	Manifold	15	48241	1	Stem Assy Needle Valve
5	66519	1	O-Ring – 2-250	16	44344	1	7/16-20 Socket O-Ring Boss Plug
8	56274	1	O-Ring – 013	17	56364	1	Bearing Sleeve
9	66515	1	Pump Shaft Seal	34	44905	2	O-Ring – 112
14	48283	1	Relief Valve, 1 Set				
Item 37	49495 Manifold Assy Secondary w/o Valves						
		1	Manifold	34	44905	2	O-Ring – 112
14	48283	4	Relief Valve – 1 Set				
ns = not shown				G = Grade			

*Use 48284 tool to install.

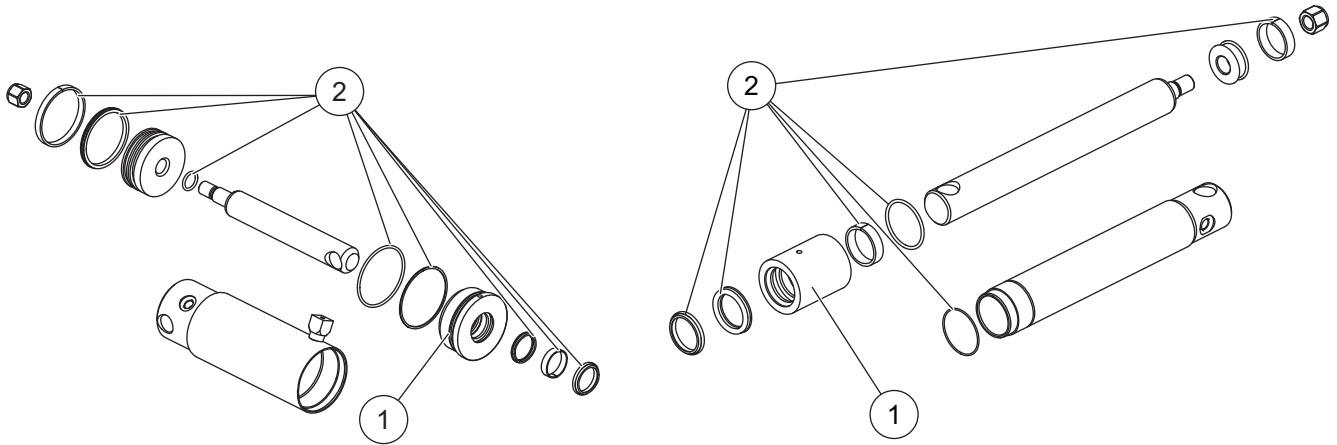
Go to www.blizzardplows.com for hydraulic unit service information and specifications.

Hoses and Fittings



Hoses and Fittings							
Item	Part	Qty	Description	Item	Part	Qty	Description
1	49496	4	3/8 x 42 Hose w/FJIC Ends	6	41093	1	Elbow 45° 9/16-18 x 7/16-20 ORB
2	40570	3	1/4 x 22 Hose w/FJIC Ends	7	48333	4	Elbow 45° – 6M O-Ring/MJIC
3	40569	1	1/4 x 16 Hose w/FJIC Ends	8	49493	2	Orifice Kit
4	40571	9	Elbow 90° – 6M O-Ring/MJIC	9	56823	1	Hose Wrap
5	40572	2	Elbow 90° Extra Long – 6M O-Ring/MJIC				
F = Female		G = Grade		M = Male or Metric		ns = not shown	

Lift and Angle Ram Components

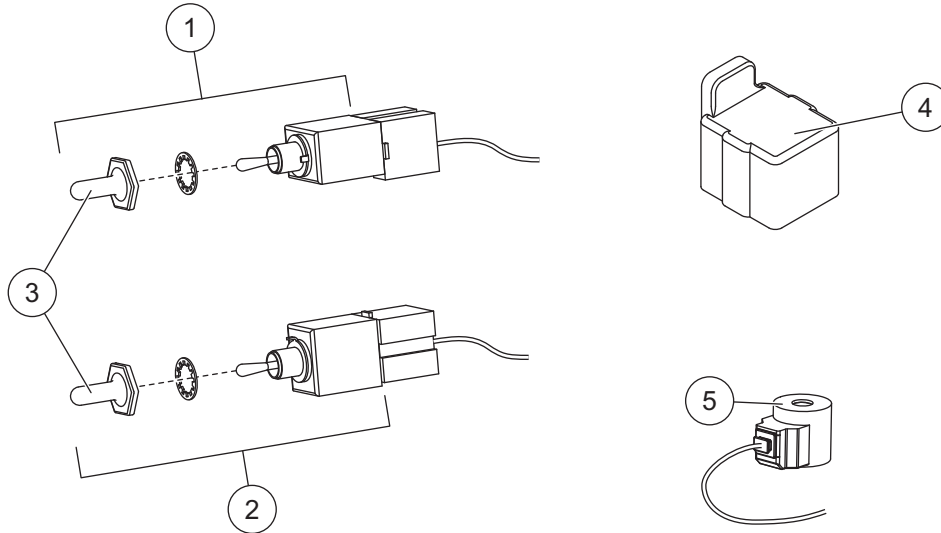


41095 Ram Assembly 3-1/2 x 5-1/2			
Item	Part	Qty	Description
1	48358	1	1-1/2 Gland
2	41098	1	Seal Kit 3-1/2" DA Ram
ns = not shown			

41096 Ram Assembly 1-3/4 x 11			
Item	Part	Qty	Description
1	50403	1	1-3/4 Gland
2	41097	1	1-3/4 Seal Kit
ns = not shown			

Go to www.blizzardplows.com for hydraulic unit service information and specifications.

Electrical Components

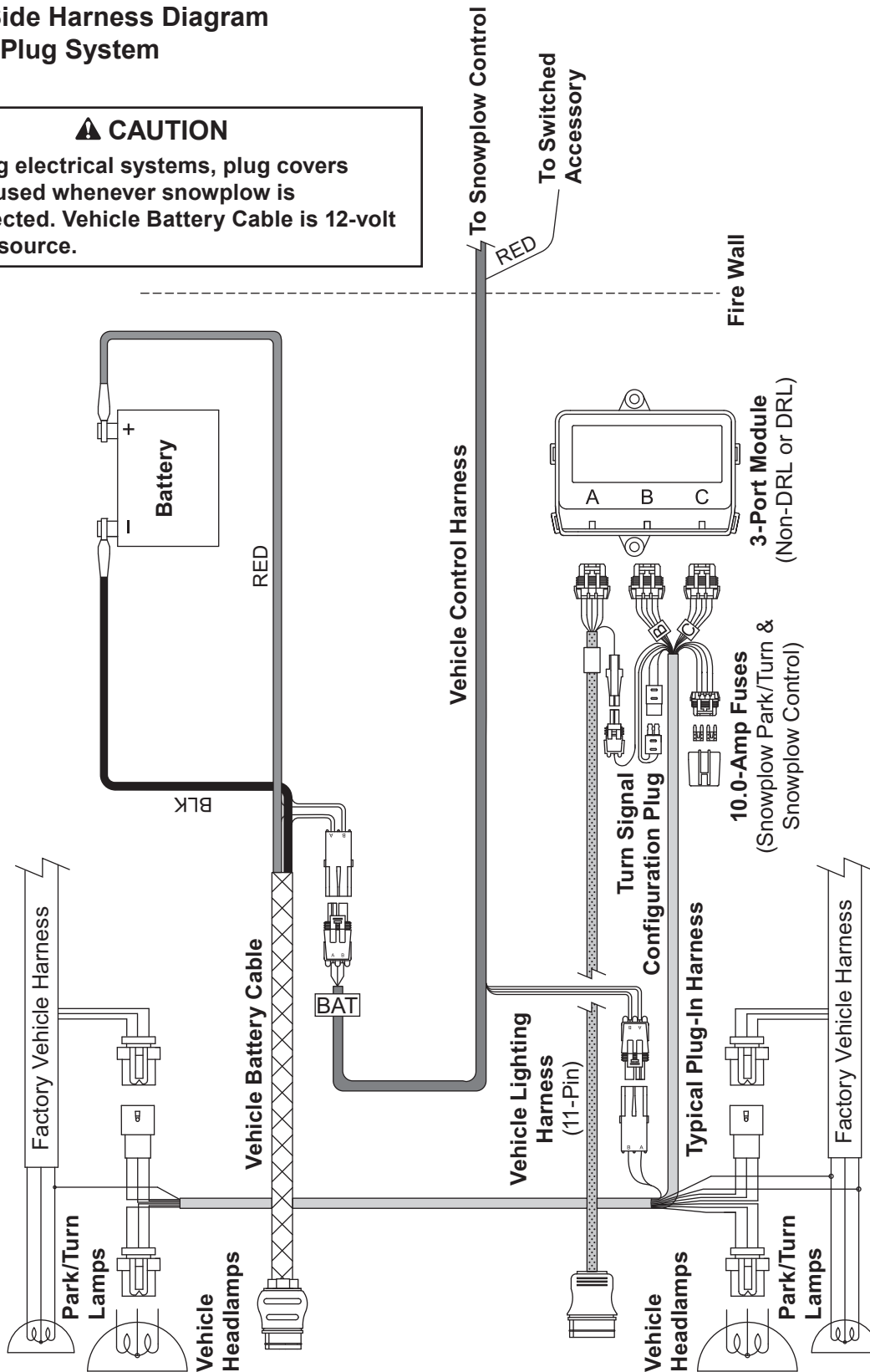


Plow-Side Electrical Components							
Item	Part	Qty	Description	Item	Part	Qty	Description
1	40575	1	Switch, Toggle – MOM-ON, OFF, ON	3	48259	2	Boot, Switch
2	40576	1	Switch, Toggle – MOM-ON, OFF MOM-ON	4	61246	1	Cable Boot
				5	41088	9	Coil w/Wire Leads
Vehicle-Side Electrical Components							
*	42014	1	Cable Assembly, Vehicle	ns	48325	2	Plug Cover
*	28587	1	Control Harness, Vehicle				
* For diagram see Vehicle-Side Harness Diagram				ns = not shown			

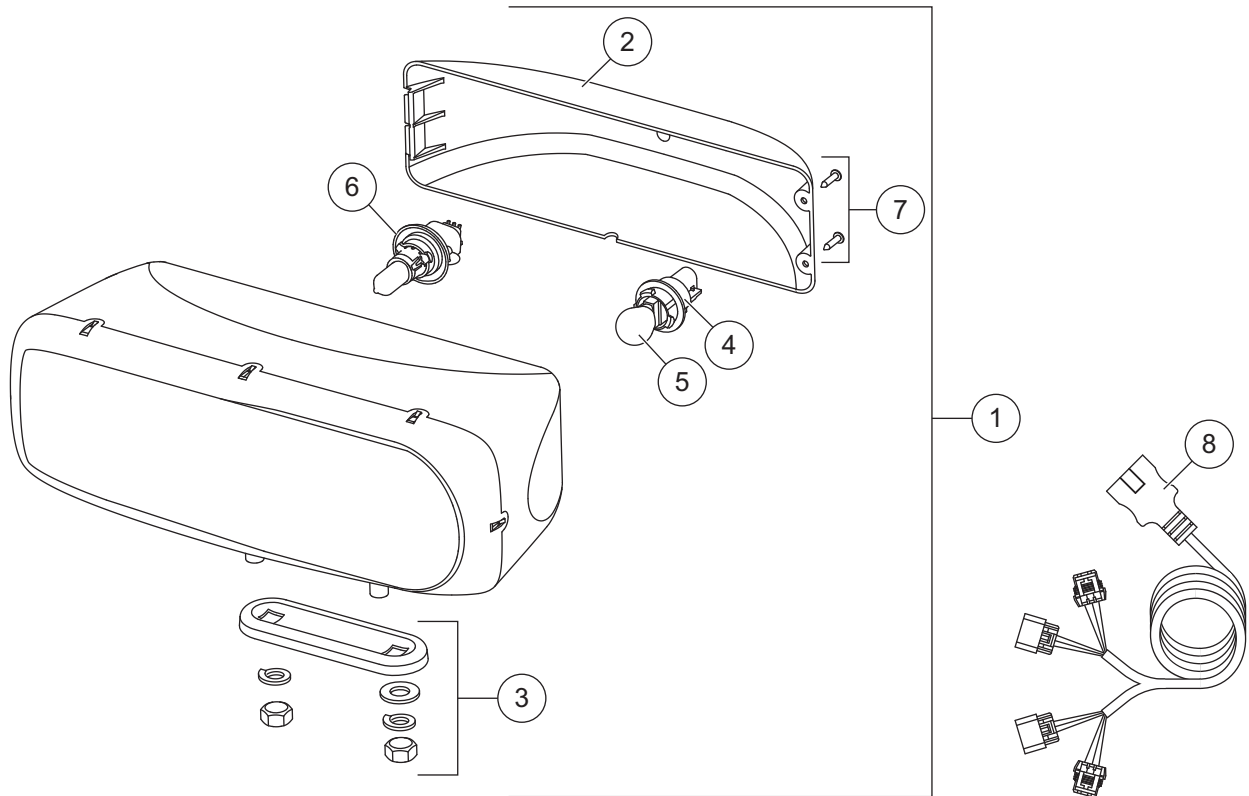
**Vehicle-Side Harness Diagram
3-Port, 2-Plug System**

⚠ CAUTION

On 2-plug electrical systems, plug covers shall be used whenever snowplow is disconnected. Vehicle Battery Cable is 12-volt unfused source.



Headlamp Kit



28800 Headlamp Kit (Pair)							
Item	Part	Qty	Description	Item	Part	Qty	Description
1	28801	1	Headlamp Service Kit DS	5	28805	2	Park/Turn Bulb (Trade No. 4157NAK)
ns	28802	1	Headlamp Service Kit PS	6	28806	2	H13 Headlamp Bulb Service Kit
2	28803	2	Rear Cover Kit	7	28808	2	Cover Screws Service Kit
3	28804	2	Mounting Hardware Kit	8	28213K	1	Harness Service Kit
4	28805	2	Park/Turn Socket Service Kit				

ns = not shown



Blizzard
PO Box 245038
Milwaukee, WI 53224-9538
www.blizzardplows.com

 A DIVISION OF DOUGLAS DYNAMICS, L.L.C.

Copyright © 2009 Douglas Dynamics, L.L.C. All rights reserved. This material may not be reproduced or copied, in whole or in part, in any printed, mechanical, electronic, film or other distribution and storage media, without the written consent of Blizzard. Authorization to photocopy items for internal or personal use by Blizzard outlets or snowplow owner is granted.

Blizzard reserves the right under its product improvement policy to change construction or design details and furnish equipment when so altered without reference to illustrations or specifications used. Blizzard or the vehicle manufacturer may require or recommend optional equipment for snow removal. Do not exceed vehicle ratings with a snowplow. Blizzard offers a limited warranty for all snowplows and accessories. See separately printed page for this important information. The following are registered (®) or unregistered (™) trademarks of Douglas Dynamics, L.L.C.: BLIZZARD®, POWER HITCH™, POWER HITCH™ 2, POWER PLOW®.

Printed in U.S.A.