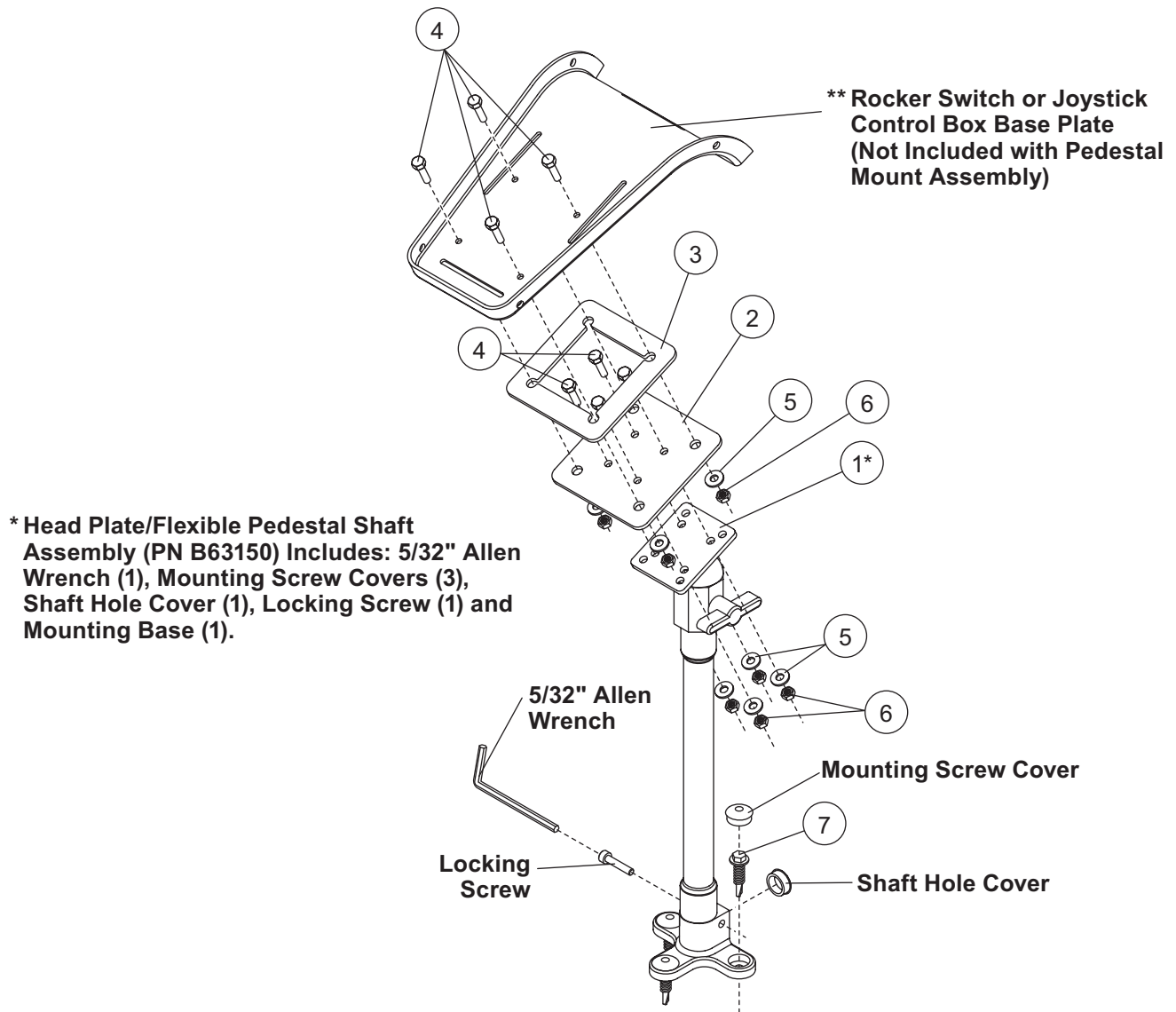


PARTS LIST


B63078 Pedestal Mount Kit							
Item	Part	Qty	Description	Item	Part	Qty	Description
1	B63150	1	Pedestal Mount w/Flex Shaft	3	95918	1	Pedestal Mount Spacer Plate
2	B61415	1	Pedestal Mount Joystick Plate	ns	B61523	1	Hardware Kit
B61523 Hardware Kit							
4	B61510	8	M4 x 0.7 x 16 Hex Cap Screw G8.8	6	B61511	8	M4 x 0.7 Hex Locknut G12.9
5	B61513	4	M4 x 9 Flat Washer	7	B61519	3	#12-14 x 1 Hex Flanged Screw, Self-Drilling
6	B61511	8	M4 x 0.7 Hex Locknut G12.9				
ns = not shown				G = Grade			

TORQUE CHART

⚠ CAUTION

Read instructions before assembling. Fasteners should be finger tight until instructed to tighten according to the torque chart. Use standard methods and practices when attaching snowplow including proper personal protective safety equipment.



Grade Identification for J429–Grade 5 Bolt



Grade Identification for J429–Grade 8 Bolt

SAE J429 Grade 5 Torque Values				SAE J429 Grade 8 Torque Values			
Nominal Thread Size	Clamp Loads (lb)	Tightening Torque		Nominal Thread Size	Clamp Loads (lb)	Tightening Torque	
		"Lubricated"	"Dry"			"Lubricated"	"Dry"
1/4-20	2,000	6 ft-lb	8 ft-lb	1/4-20	2,850	9 ft-lb	12 ft-lb
5/16-18	3,350	13 ft-lb	18 ft-lb	5/16-18	4,700	18 ft-lb	25 ft-lb
3/8-16	4,950	23 ft-lb	31 ft-lb	3/8-16	6,950	32 ft-lb	44 ft-lb
7/16-14	6,800	37 ft-lb	50 ft-lb	7/16-14	9,600	53 ft-lb	70 ft-lb
1/2-13	9,050	57 ft-lb	75 ft-lb	1/2-13	12,800	80 ft-lb	107 ft-lb
9/16-12	11,600	82 ft-lb	109 ft-lb	9/16-12	16,400	115 ft-lb	154 ft-lb
5/8-11	14,500	113 ft-lb	151 ft-lb	5/8-11	20,300	159 ft-lb	211 ft-lb
3/4-10	21,300	200 ft-lb	266 ft-lb	3/4-10	30,100	282 ft-lb	376 ft-lb
7/8-9	29,435	321 ft-lb	430 ft-lb	7/8-9	41,550	454 ft-lb	606 ft-lb
1-8	38,600	482 ft-lb	640 ft-lb	1-8	54,540	680 ft-lb	900 ft-lb



Grade Identification for Metric–Grade 8.8 Bolt



Grade Identification for Metric–Grade 10.9 Bolt

Metric Class 8.8 Torque Values				Metric Class 10.9 Torque Values			
Diameter (mm)	Clamp Loads (lb)	Tightening Torque		Diameter (mm)	Clamp Loads (lb)	Tightening Torque	
		"Lubricated"	"Dry"			"Lubricated"	"Dry"
5	1,389	3 ft-lb	5 ft-lb	5	1,987	5 ft-lb	7 ft-lb
6	1,965	6 ft-lb	8 ft-lb	6	2,812	8 ft-lb	11 ft-lb
7	2,826	10 ft-lb	13 ft-lb	7	4,044	14 ft-lb	19 ft-lb
8	3,579	14 ft-lb	19 ft-lb	8	5,121	20 ft-lb	27 ft-lb
10	5,672	28 ft-lb	37 ft-lb	10	8,116	40 ft-lb	53 ft-lb
12	8,243	49 ft-lb	65 ft-lb	12	11,796	70 ft-lb	92 ft-lb
14	11,246	77 ft-lb	103 ft-lb	14	16,092	111 ft-lb	148 ft-lb
16	15,882	125 ft-lb	167 ft-lb	16	21,970	173 ft-lb	231 ft-lb
18	19,423	172 ft-lb	229 ft-lb	18	26,868	238 ft-lb	317 ft-lb
20	24,784	244 ft-lb	325 ft-lb	20	34,284	338 ft-lb	450 ft-lb

INSTALLATION INSTRUCTIONS

⚠ CAUTION

Read this document before installing the Pedestal Mount.

⚠ CAUTION

Use standard methods and practices when attaching snowplow and installing accessories including proper personal protective safety equipment.

1. Park the vehicle on a smooth, level, hard surface, such as concrete. Lower the blade to the ground, and turn the control to the "OFF" position. Disconnect the snowplow from the vehicle, or turn the vehicle ignition to the "OFF" position and remove the key.
2. If necessary, remove the head plate from the ball housing for ease of installation. Completely unscrew the head adjusting knob to remove the plate.
3. Begin the installation procedure by securing the control station adapter plate to the head plate on the flexible pedestal shaft. Align the center holes on the adapter plate with the center holes

on the head plate. Secure both plates using four M4 x 0.7 x 16 cap screws, M4 flat washers and M4 x 0.7 locknuts.

Install each screw with the head against the joystick mount plate. Reference the torque chart for maximum bolt torque.

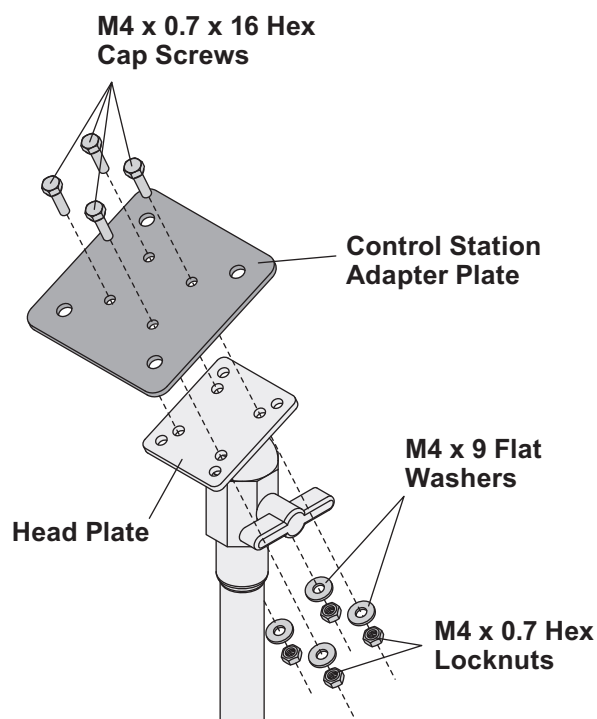
4. If installing a touch pad control to the pedestal, the control can be mounted directly to the head plate or the adapter plate. Use the reclosable fasteners supplied with the touch pad control to mount the control to the pedestal.
5. Select the mounting location (console, floor, etc.) in the vehicle. The shaft can attach to the mounting base in two different positions (top or side). Verify the shaft will install into the mounting base without interference.

⚠ CAUTION

Before installing self-drilling screws or drilling mounting holes, check the selected mounting area for any wires, hoses or other obstructions.

Secure the mounting base to the desired surface using three #12 x 1" flanged self-drilling screws. Install the mounting screw covers over the installed self-drilling screws.

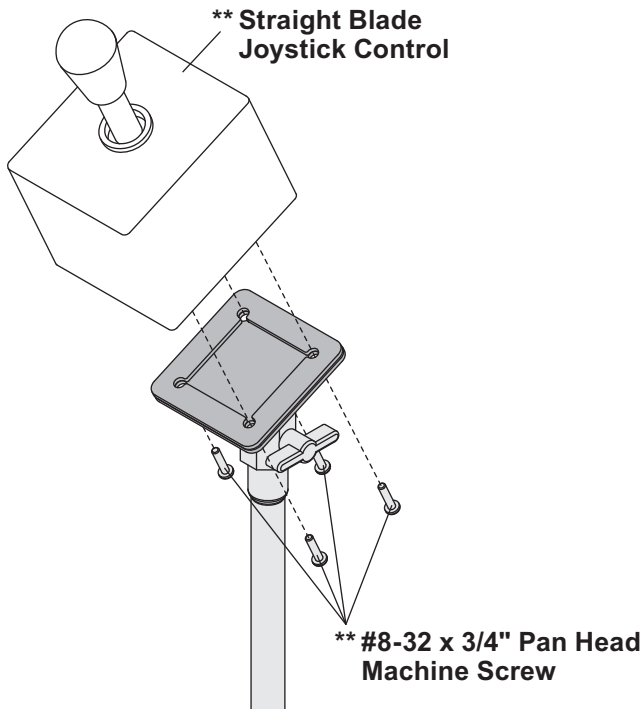
6. Thread the flexible pedestal shaft into the desired hole in the mounting base. Finger tighten until the shoulder of the shaft meets the base. Press the shaft hole cover into the unused shaft hole on the base.



7. Insert the locking screw into the mounting base. Use the supplied 5/32" Allen wrench to tighten the screw. The shaft is now secure to the mounting base.
8. Next, align the holes in the spacer plate with the outside holes in the control station adapter plate. Place the straight blade joystick control over the adapter plate. Secure the control to the plate with the four #8-32 x 3/4" pan-head machine screws provided with the joystick control.

⚠ CAUTION
Before drilling mounting holes, check the selected mounting area for any wires, hoses or other obstructions.

9. **For POWER PLOW™ snowplow control stations:** Remove the base plate from the control and install four M4 x 0.7 x 16 cap screws through the bottom of the plate. (Holes may need to be drilled into the base plate to accommodate the installation.) Secure the screws with four M4 flat washers and M4 x 0.7 locknuts.



**** Items not included with Pedestal Mount Assembly**

Copyright © 2008 Douglas Dynamics, L.L.C. All rights reserved. This material may not be reproduced or copied, in whole or in part, in any printed, mechanical, electronic, film or other distribution and storage media, without the written consent of Blizzard. Authorization to photocopy items for internal or personal use by the Blizzard outlets or snowplow owner is granted.

Blizzard reserves the right under its product improvement policy to change construction or design details and furnish equipment when so altered without reference to illustrations or specifications used. Blizzard or the vehicle manufacturer may require or recommend optional equipment for snow removal. Do not exceed vehicle ratings with a snowplow. Blizzard offers a limited warranty for all snowplows and accessories. See separately printed page for this important information. The following are registered (®) or unregistered (™) trademarks of Douglas Dynamics, L.L.C.: BLIZZARD®, POWER PLOW™.