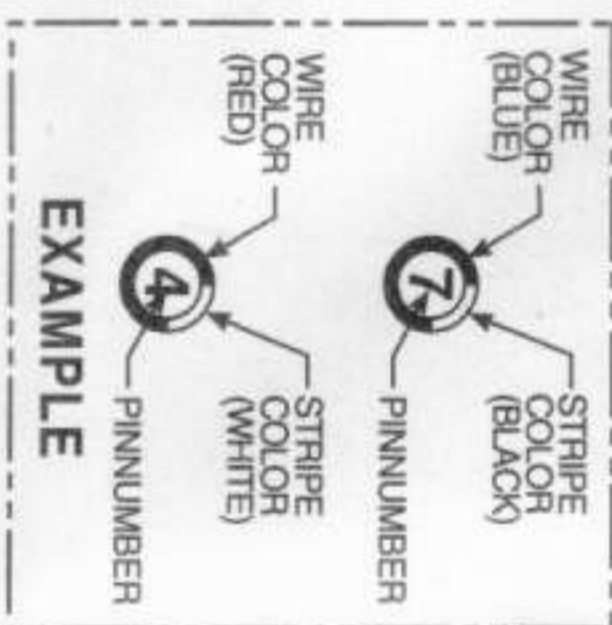
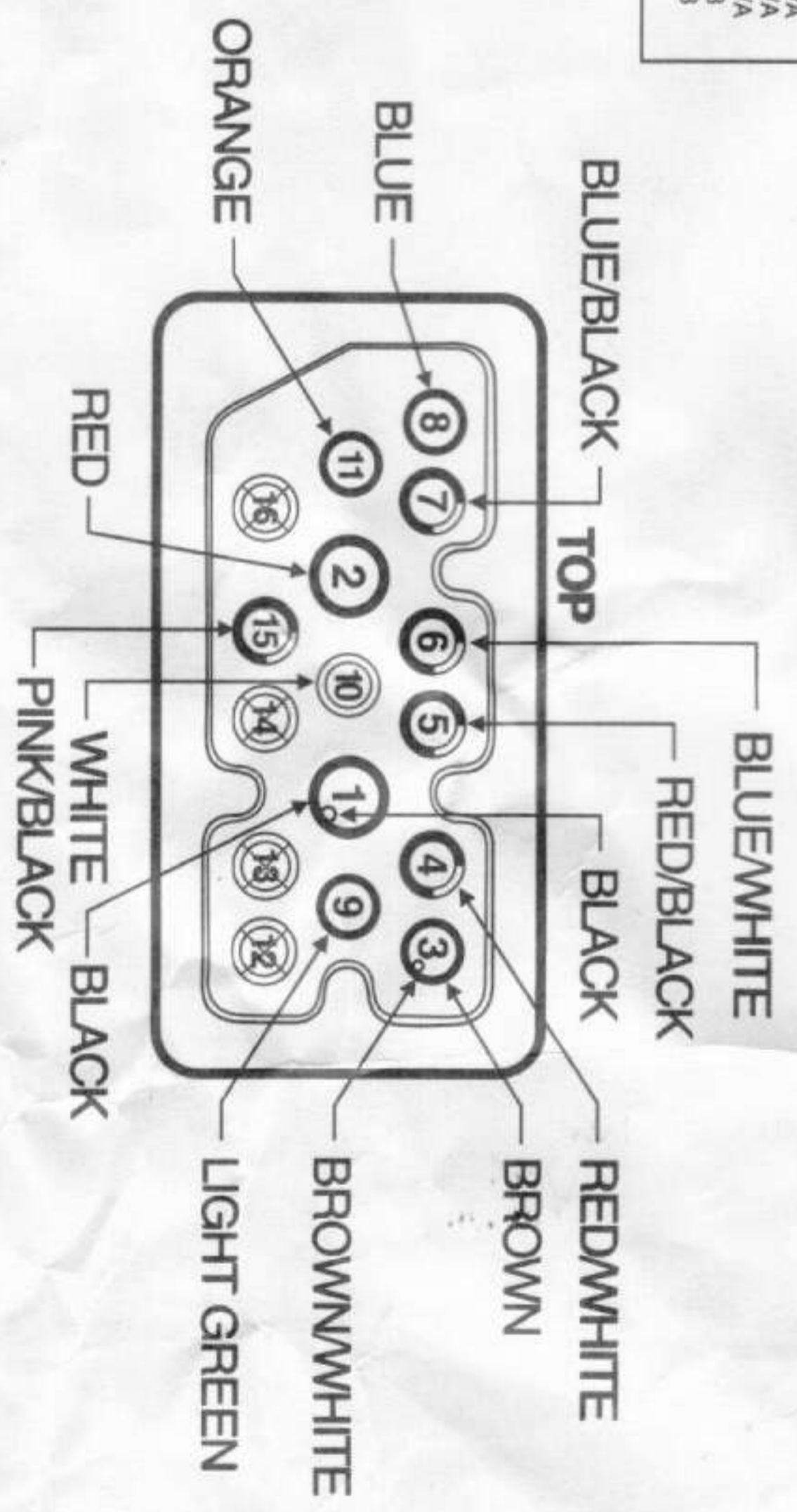


PIN NO.	COLOR	FUNCTION	AWG
1	BLACK	GROUND	4
2	RED	12 VOLTDC (+)	18
3	BROWN/WHITE	PUMP SOLENOID TO RING	4
4	BROWN	PUMP SOLENOID TO MOLEX	18
5	RED/WHITE	RIGHT SLIDE BOX EXTEND	18
6	RED/BLACK	RIGHT SLIDE BOX RETRACT	18
7	BLUE/WHITE	LEFT SLIDE BOX EXTEND	18
8	BLUE/BLACK	LEFT SLIDE BOX RETRACT	18
9	BLUE	LEFT ANGLE	18
10	LT GREEN	RIGHT ANGLE	18
11	ORANGE	LIFT	18
12	WHITE	FLOAT	18
13	N/A	N/A	N/A
14	N/A	N/A	N/A
15	PINK/BLACK	12 (+) VDC FUSED	18
16	N/A	N/A	18



MOLDED POWER PLUG REPAIR KIT VEHICLE WIRE HARNESS P/N 62165

• NOT DRAWN TO SCALE
 • UNLESS OTHERWISE SPECIFIED ALL DIMENSIONS IN INCHES
 • ALL WIRE 18 GA EXCEPT AS MARKED



FACE VIEW LOOKING AT FEMALE CONNECTOR FEMALE TERMINALS

