



## **WIDE-OUT™ and WIDE-OUT™ XL Snowplows**

**Blade Assembly 85810, 85850**

**Center Assembly 85900**

**Center Assembly, Central Hydraulics 85910**

**Parts List**





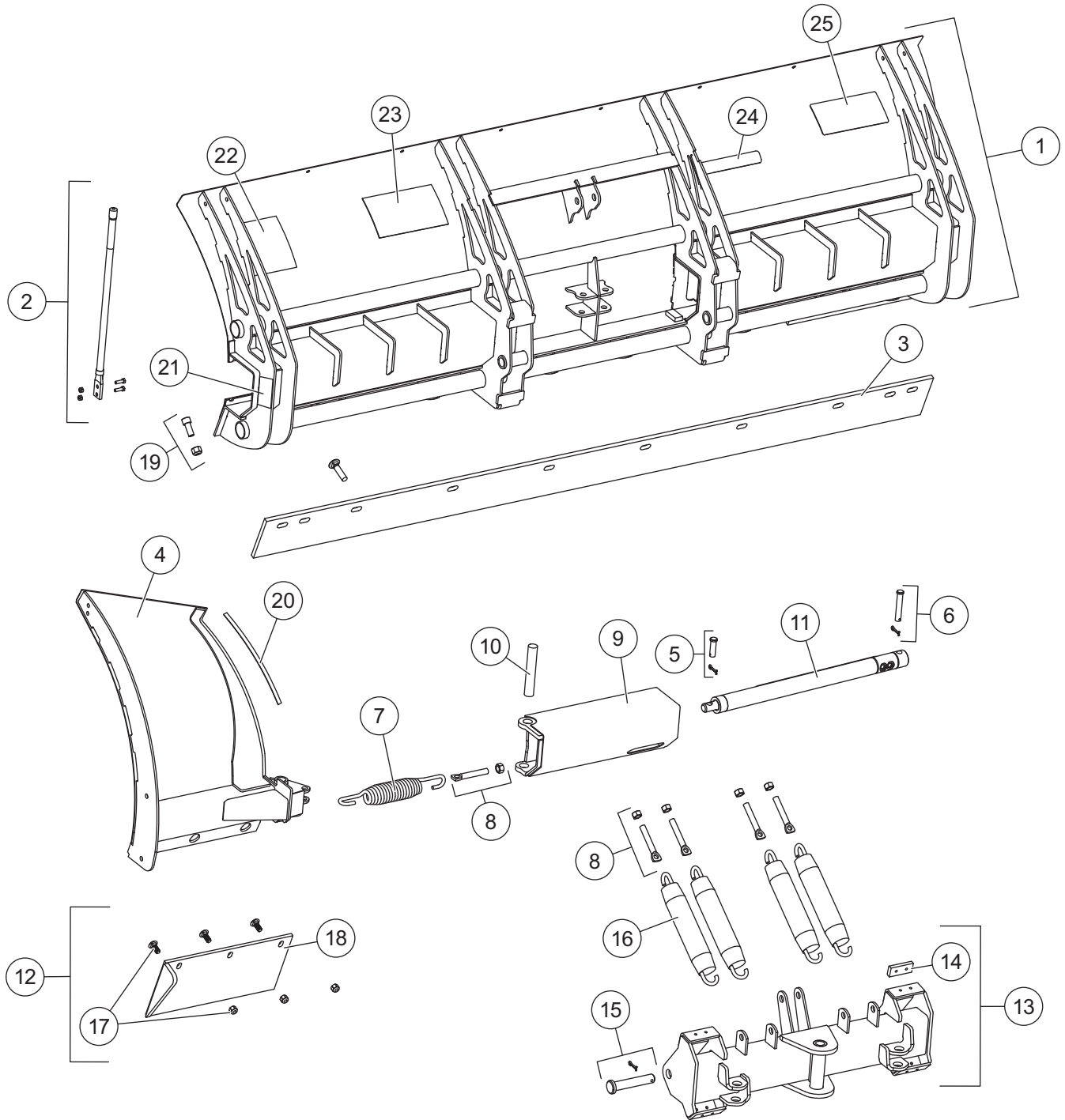
# TABLE OF CONTENTS

---

<b>WIDE-OUT™ AND WIDE-OUT™ XL BLADE COMPONENTS .....</b>	<b>4</b>
<b>WIDE-OUT AND WIDE-OUT XL CENTER ASSEMBLY .....</b>	<b>6</b>
Lift Frame and A-Frame Components .....	6
Hydraulic Unit Components .....	8
Hydraulic Unit Cover Assembly .....	10
Lift and Angle Ram Components.....	11
Hoses and Fittings .....	11
Electrical Components.....	12
Vehicle-Side Harness Diagram – 3-Port, 2-Plug System.....	13
Vehicle-Side Harness Diagram – Central Hydraulics.....	14
Headlamp Kit .....	15

# WIDE-OUT™ & WIDE-OUT™ XL BLADES 85810, 85850

## Blade Components



## WIDE-OUT™ & WIDE-OUT™ XL BLADES 85810, 85850

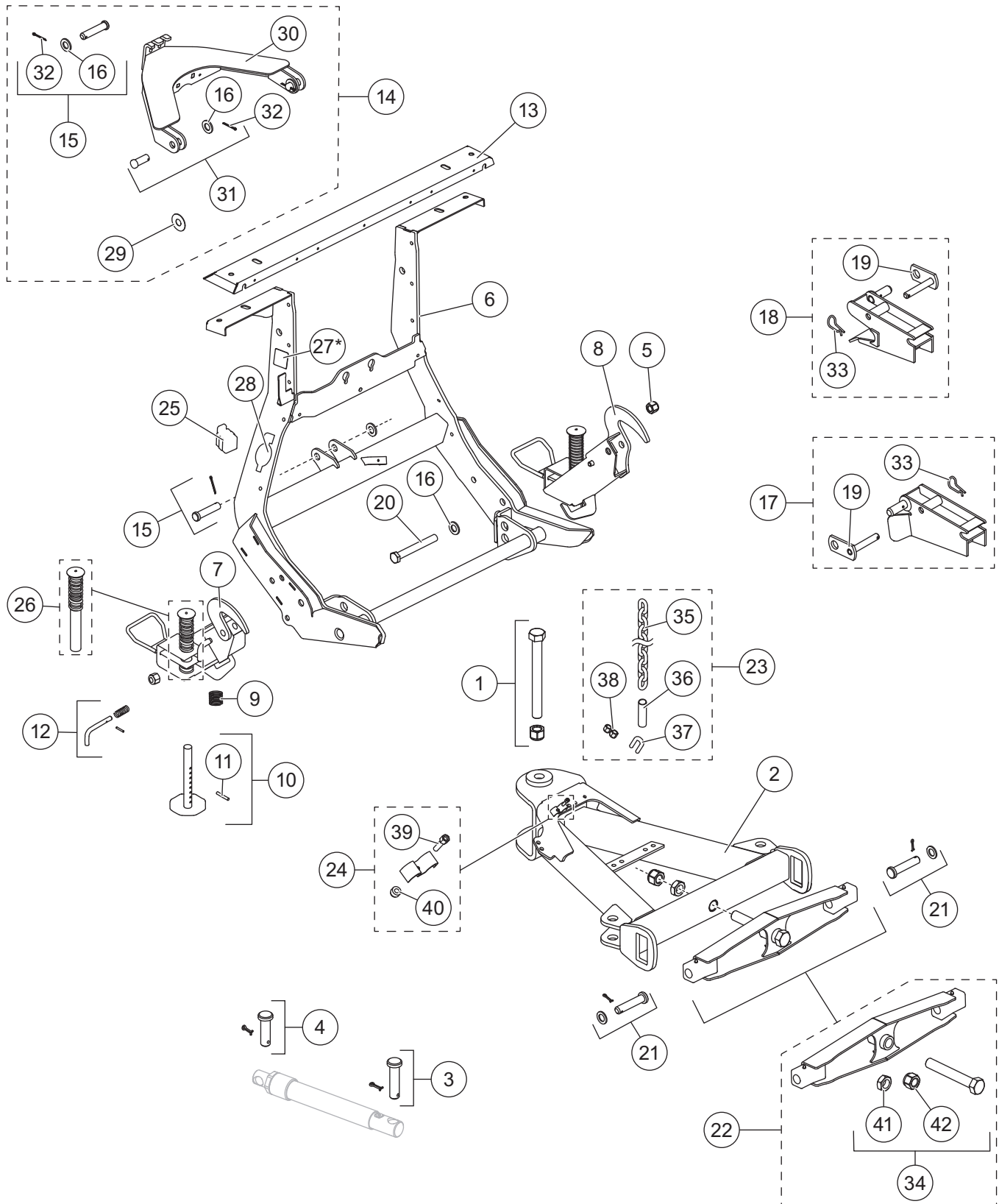
WIDE-OUT & WIDE-OUT XL Blade Components							
Item	Part	Qty	Description	Item	Part	Qty	Description
1	81154	1	WIDE-OUT Blade	14	63976	4	Bumper Kit
	81155	1	WIDE-OUT XL Blade	15	50677	2	Pin Kit
2	62595	1	Blade Guide Assembly, Poly (set of 2)	16	23039	4	Trip Spring
3	64775	1	Cutting Edge Kit, WIDE-OUT	17	11010	1	Bolt Kit, Steel Wing Edge
	63980	1	Cutting Edge Kit, WIDE-OUT XL	18	81148	1	Steel Wing Edge, WIDE-OUT – DS
4	81150	1	Blade Wing w/Labels, WO – DS		81149	1	Steel Wing Edge, WIDE-OUT – PS
	81156	1	Blade Wing w/Labels, WO XL – DS		95060	1	Steel Wing Edge, WIDE-OUT XL – DS
ns	81152	1	Blade Wing w/Labels, WO – PS		95061	1	Steel Wing Edge, WIDE-OUT XL – PS
ns	81158	1	Blade Wing w/Labels, WO XL – PS	19	50661	2	Stop Bolt Kit
5	50651	2	5/8 x 2 Pin Kit	20	57822	1	Wear Strip
6	50653	2	5/8 x 3-1/2 Pin Kit	21	29593	2	Label – Warning, Multiple Pinch Points
7	50654	2	Wing Spring	22	59900	1	Label – Warning/Caution, Snowplows
8	66421	6	5/8-11 x 4 Eyebolt Kit	23	43360	1	Label – Attach/Detach, UltraMount® 2
9	81167	1	DS Blade Slidebox	24	28404	1	Label – Identity, ULTRAFINISH™
ns	81168	1	PS Blade Slidebox	25	44451	1	Label – Identity, WESTERN® 8.31
10	50660	2	Wing Pin	ns	92983	1	Label – Logo, WIDE-OUT XL Moldboard
11	43803	2	Ram Assy 1-1/2 x 13-15/16 DA, WO	ns	92976	1	Label – Logo, WIDE-OUT Moldboard
	94491	2	Ram Assy 1-1/2 x 16-15/16 DA, WO XL	ns	92979	1	Label – Wing, WIDE-OUT – DS
12	57865	1	Steel Wing Cutting Edges Kit, WO	ns	92974	1	Label – Wing, WIDE-OUT – PS
	81141	1	Steel Wing Cutting Edges Kit, WO XL	ns	40986	1	Label – Logo, CONTRACTOR GRADE®
13	92984	1	Quadrant Assembly (quad w/riveted bumpers)	ns	43794	1	Combo Seal Kit, Wing Cylinder

ns = not shown

WIDE-OUT & WIDE-OUT XL Accessories (not shown)			
Part	Description	Part	Description
52280-1	Rubber Deflector Kit, WIDE-OUT	81988	Urethane Wing Edge Assembly Kit – WIDE-OUT XL
81989	Rubber Deflector Kit, WIDE-OUT XL	81994	Urethane Edge Assembly Kit – WIDE-OUT
52278	Back Drag Edge Kit, WIDE-OUT	81993	Urethane Edge Assembly Kit – WIDE-OUT XL
81985	Back Drag Edge Kit, WIDE-OUT XL	81996	5/8 Cutting Edge Kit, WIDE-OUT
63979	Shock Absorber	81995	5/8 Cutting Edge Kit, WIDE-OUT XL
72510	Shock Absorber Kit	44277-1	Shoe Kit
80261	Urethane Wing Edge Assembly Kit – WIDE-OUT		

# WIDE-OUT™ & WIDE-OUT™ XL CENTER ASSEMBLY 85900, 85910 (CH)

## Lift Frame and A-Frame Components



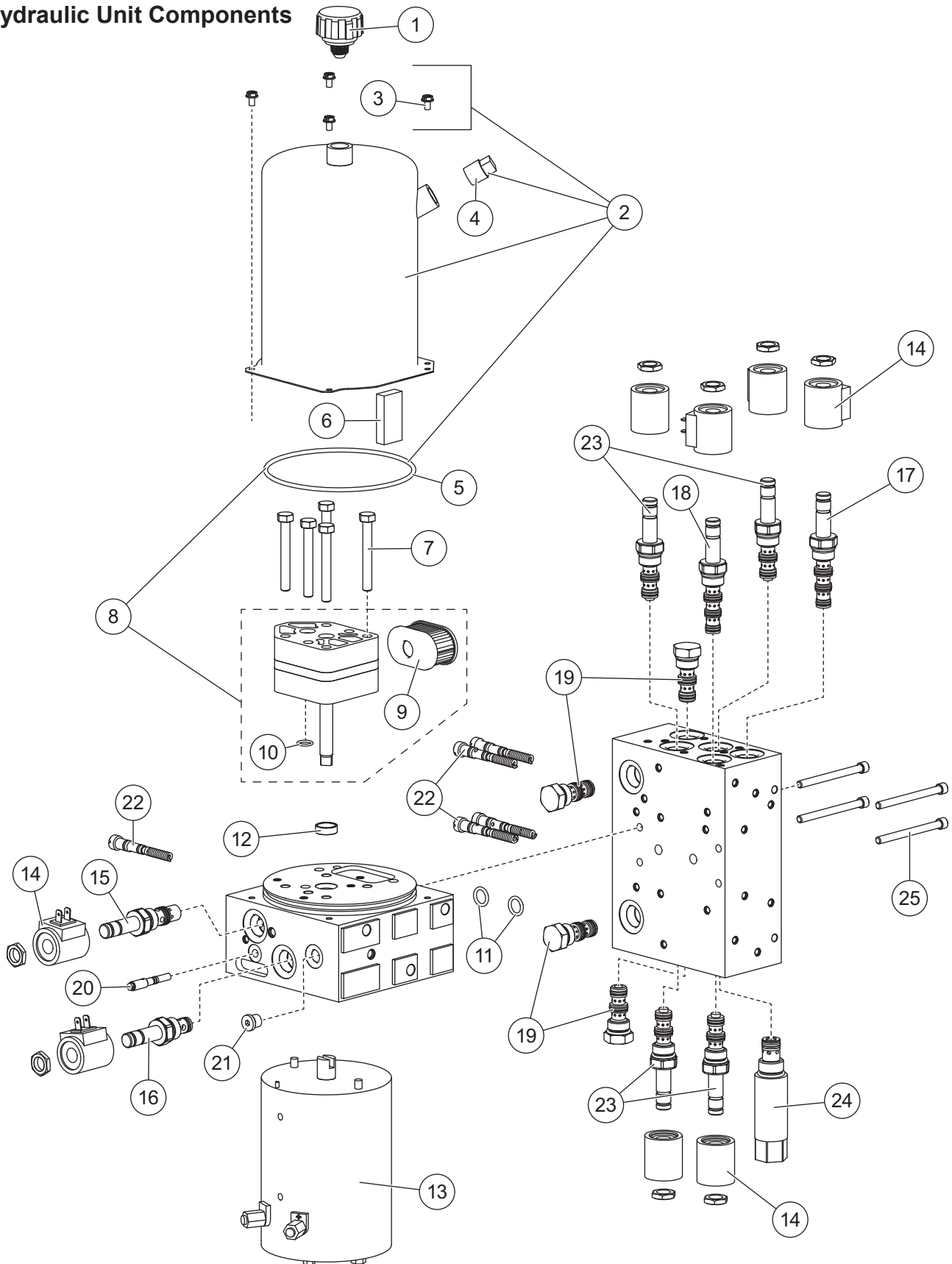
# WIDE-OUT™ & WIDE-OUT™ XL CENTER ASSEMBLY 85900, 85910 (CH)

<b>WIDE-OUT &amp; WIDE-OUT XL Lift Frame and A-Frame Components</b>							
Item	Part	Qty	Description	Item	Part	Qty	Description
1	50668	1	1 x 9-1/2 Pivot Bolt Kit	14	43304	1	Lift Arm Kit
2	50670	1	A-Frame Kit	15	68740	2	3/4 x 3-1/2 Clevis Pin Kit
3	50672	2	1 x 4 Pin Kit, Base End	16	91147	2	3/4 Flat Washer
4	50674	2	1 x 3-5/16 Pin Kit, Rod End	17	76722	1	Receiver Kit – DS
5	91338	2	3/4-10 Hex Locknut GB	18	76718	1	Receiver Kit – PS
6	86790	1	Lift Frame Kit	19	42498	2	Receiver Pin
7	72618	1	Stand Assembly – DS	20	66451	2	3/4-10 x 6 Hex Cap Screw G5
8	72617	1	Stand Assembly – PS	21	49645	2	1 x 4-3/4 Clevis Pin Kit
9	67636	1	Spring Lock Stand	22	67842-1	1	Pivot Bar Kit
10	67847	2	Stand Shoe Kit	23	49033	2	1/4 Grade 43 Chain Assembly
11	67635	2	1/4 x 2 Roll Pin BP	24	49479-1	2	Hose Bracket Kit
12	67844	2	Stand Lock Pin Kit	25	61246	1	Cable Boot
13	43302	1	Light Channel	26	48523	1	Plunger w/Spring
<b>Item 6</b>				<b>86790 Lift Frame Kit</b>			
		1	Lift Frame	28	43358	2	Label – Identity, UltraMount® 2
ns		1	Support Stand – DS	29		2	UHMW Round Flat Washer, Special
ns		1	Support Stand – PS	ns	79160	1	Parts Bag, Stands
27*	69689	1	Label – Logo, SECURITY GUARD™				
<b>Item 10</b>				<b>67847 Stand Shoe Kit</b>			
		1	Stand Shoe	11	67635	2	1/4 x 2 Roll Pin BP
<b>Item 14</b>				<b>43304 Lift Arm Kit</b>			
15	68740	1	3/4 x 3-1/2 Clevis Pin Kit	30		1	Lift Arm
29		2	UHMW Round Flat Washer, Special	31	43351	2	3/4 x 2 Clevis Pin Kit
<b>Item 15</b>				<b>68740 3/4 x 3-1/2 Clevis Pin Kit</b>			
		1	3/4 x 3-1/2 Clevis Pin	32	91911K	1	5/32 x 1-1/2 Cotter Pin Kit (pkg of 4)
16	91147	1	3/4 Flat Washer				
<b>Item 17</b>				<b>76722 Receiver Kit – DS</b>			
		1	Receiver – DS	33	91965K-1	1	5/32 Hairpin Cotter
19	42498	1	Receiver Pin				
<b>Item 18</b>				<b>76718 Receiver Kit – PS</b>			
		1	Receiver – PS	33	91965K-1	1	5/32 Hairpin Cotter
19	42498	1	Receiver Pin				
<b>Item 22</b>				<b>67842-1 Pivot Bar Kit</b>			
		1	Pivot Bar	34	67855	1	Pivot Bolt Kit
<b>Item 23</b>				<b>49033 1/4 Grade 43 Chain Assembly</b>			
35		1	1/4 Grade 43 Chain	37	90453	1	3/8-16 x 1-1/2 U-Bolt G5
36		1	Plastic Tube	38	91333	2	3/8-16 Hex Locknut GB
<b>Item 24</b>				<b>49479-1 Hose Bracket Kit</b>			
		1	Hose Bracket	40	91331	1	1/4-20 Hex Locknut GB
39		1	1/4-20 x 1-1/4 Socket Cap Screw G5				
<b>Item 31</b>				<b>43351 3/4 x 2 Clevis Pin Kit</b>			
		1	3/4 x 2 Clevis Pin	32	91911K	1	5/32 x 1-1/2 Cotter Pin Kit (pkg of 4)
16	91147	1	3/4 Flat Washer				
<b>Item 34</b>				<b>67855 Pivot Bolt Kit</b>			
		1	1-8 x 7 Hex Cap Screw G5	42	91340	1	1-8 Hex Locknut GB
41	67748	1	1-8 Hex Jam Nut G5				
G = Grade				ns = not shown			

\* Not used for central hydraulics.

# WIDE-OUT™ & WIDE-OUT™ XL CENTER ASSEMBLY 85900

## Hydraulic Unit Components





# WIDE-OUT™ & WIDE-OUT™ XL CENTER ASSEMBLY 85900

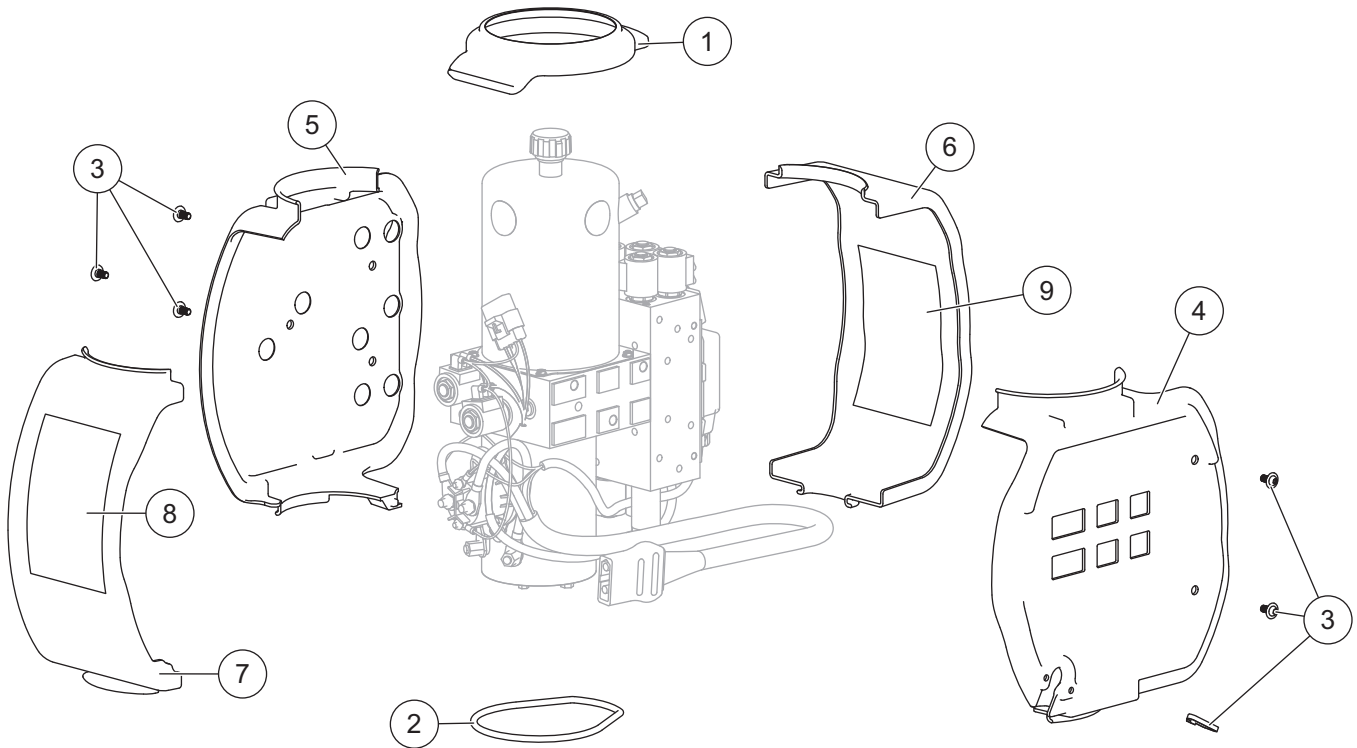
<b>49450 Hydraulic Unit WIDE-OUT</b> <b>48256* Hydraulic Unit Service Kit WIDE-OUT</b> (Not used for central hydraulics)							
Item	Part	Qty	Description	Item	Part	Qty	Description
1	21727-2K	1	Breather Pressure Control	16	49227K-2	1	Valve – SV08-2004 w/Nut
2	44327-2	1	Reservoir Kit	17	49452	1	Valve – SV08-45 w/Nut
3	66607	4	#10-24 x 5/16 Machine Screw	18	49456	1	Valve – SV08-41 w/Nut
4	92079	1	Plug, Square 3/8 NPTF	19	49458	4	Valve – PC08-30 w/Nut
5	66519	1	O-Ring 2-250	20	56662	1	Quill Assembly 5/16-24 Thread
6	73897	1	Magnet		48517	1	Quill Assembly 1/2-20 Thread
7	90080	5	5/16-18 x 2-1/2 Hex Cap Screw G5	21	44344	1	Plug, Hex Socket –4 M ORB
8	44328-1	1	Pump Kit	22	49138K-3	2-1/2	Relief Valve Kit (2 sets)
9	56789-3	1	Suction Filter	23	49228K-1	4	Cartridge 30 w/Jam Nut
10	56274	1	O-Ring -013	24	49462	1	Crossover Relief Valve – 4000 psi
11	55587	2	O-Ring -112	25	29081	4	1/4-20 x 3 Socket Cap Screw
12	66515	1	Pump Shaft Seal	ns	29099	2	1/4-20 x 1/4 Hex Washer-Head Thread-Rolling Screw
13	21500-1	1	Motor Assembly 4-1/2"	ns	44355	2	1/4-20 x 5/8 Hex Washer-Head Thread-Rolling Screw
14	49230K-2	8	Coil With Spade Terminals				
15	44332	1	Valve – SVCV08-20 w/Nut				
<b>Item 2</b>				<b>44327-2 Reservoir Kit</b>			
		1	Reservoir	4	92079	1	Plug, Square 3/8 NPTF
3	66607	4	#10-24 x 5/16 Machine Screw	5	66519	1	O-Ring 2-250
<b>Item 8</b>				<b>44328-1 Pump Kit</b>			
5	66519	1	O-Ring 2-250	10	56274	1	O-Ring -013
9	26781-3	1	Suction Filter				
<b>O-Ring Service Kits</b>							
–	56657-3**	–	Back-Up/O-Ring Kit	–	49259-2	–	Seal Kit – Valves SV08-30, -31, -33, -40, -41, -43, -45, SVCV08-20 & PC08-30
–	49258-2	–	Seal Kit – Valves SV08-2004, CV08-20, SF08-2015	–	49464	–	Seal Kit – Crossover Relief Valve
ns = not shown		M = Male		G = Grade			

\* Includes 49450 hydraulic unit, 49455 hydraulic unit cover assembly (p. 10), and plow-side electrical components (p. 12).

\*\* Does not contain O-rings for cartridge valves.

# WIDE-OUT™ & WIDE-OUT™ XL CENTER ASSEMBLY 85900

## Hydraulic Unit Cover Assembly

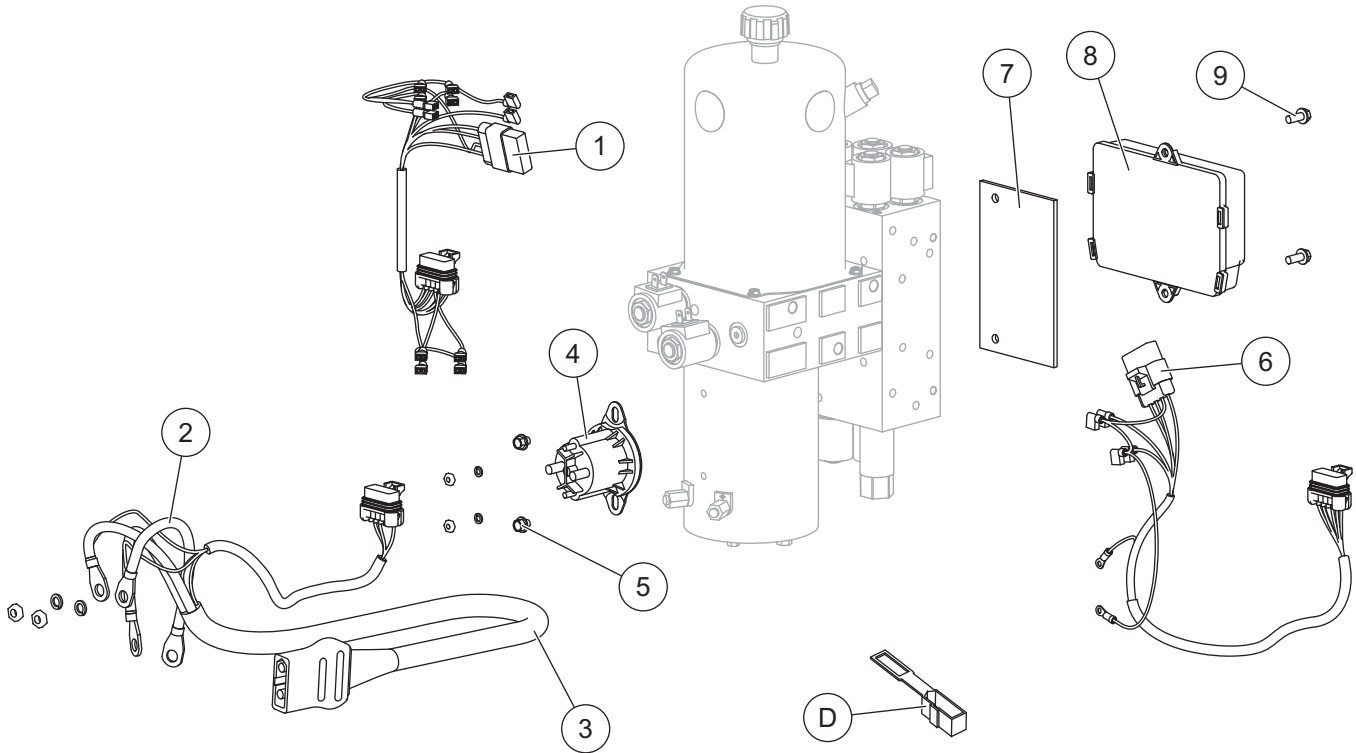


49455 Hydraulic Unit Cover Assembly							
Item	Part	Qty	Description	Item	Part	Qty	Description
1	44352	1	Top Retainer Ring	7	44304	1	Cover, Side 4
2	44366	1	Bottom Retainer Ring	8	44904	1	Label – Information (S1–S2)
3	44326	1	Hydraulic Cover Fastener Kit	9	44906	1	Label – Information (S5–S10)
4		1	Cover, Side 1	ns	92973	1	Label – Identity, WIDE-OUT Hydraulic Unit
5		1	Cover, Side 2				
6	44303	1	Cover, Side 3				
<b>Item 3</b>				<b>44326 Hydraulic Cover Fastener Kit</b>			
		5	1/4-20 x 1/2 6-Lobe Round Washer-Head Screw			1	Cable Tie
				ns		1	Cable Tie, 14"
ns = not shown							



# WIDE-OUT™ & WIDE-OUT™ XL CENTER ASSEMBLY 85910 (CH)

## Electrical Components



Plow-Side Electrical Components							
Item	Part	Qty	Description	Item	Part	Qty	Description
1	29471	1	Harness Plow Control 6 Solenoid	7	44308	11	Spacer Module
2	29071	1	Cable Assembly, 8"	8	44354-3	1	Plow Module
3	42015	1	Plow Battery Cable	9	44355	2	1/4-20 x 5/8 Hex Washer-Head Thread-Rolling Screw
4	42902	1	Motor Relay Kit	ns	56099	1	Dielectric Grease
5	29099	2	1/4-20 x 1/4 Hex Washer-Head Thread-Rolling Screw	ns		4	Fuse, 4A Mini Automotive-Style (for items 1 and 6)
6	29461	1	Harness Plow Control 2-Solenoid	ns = not shown			

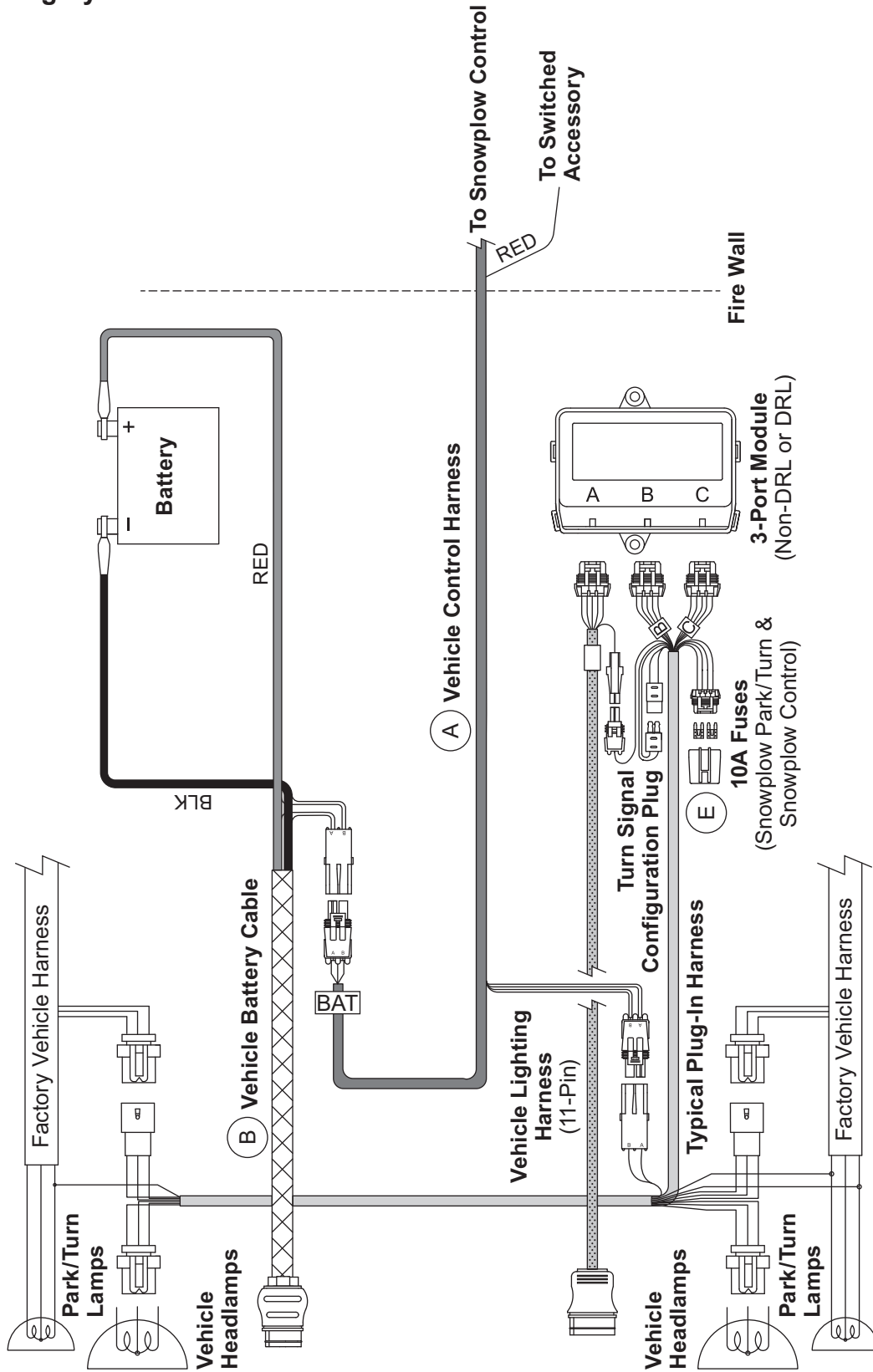
Vehicle-Side Electrical Components (Diagrams on following pages)							
A*†	28587	1	Vehicle Control Harness	D	61548K	1	Plug Cover Kit (shown w/plow-side electrical components)
B*†	42014	1	Vehicle Battery Cable	E	29998	1	Fuse Cover (pkg of 5)
C**	26498	1	Vehicle Control Harness – Central Hydraulics				

\* See Vehicle-Side Harness Diagram – 3-Port, 2-Plug System.

\*\* See Vehicle-Side Harness Diagram – Central Hydraulics.

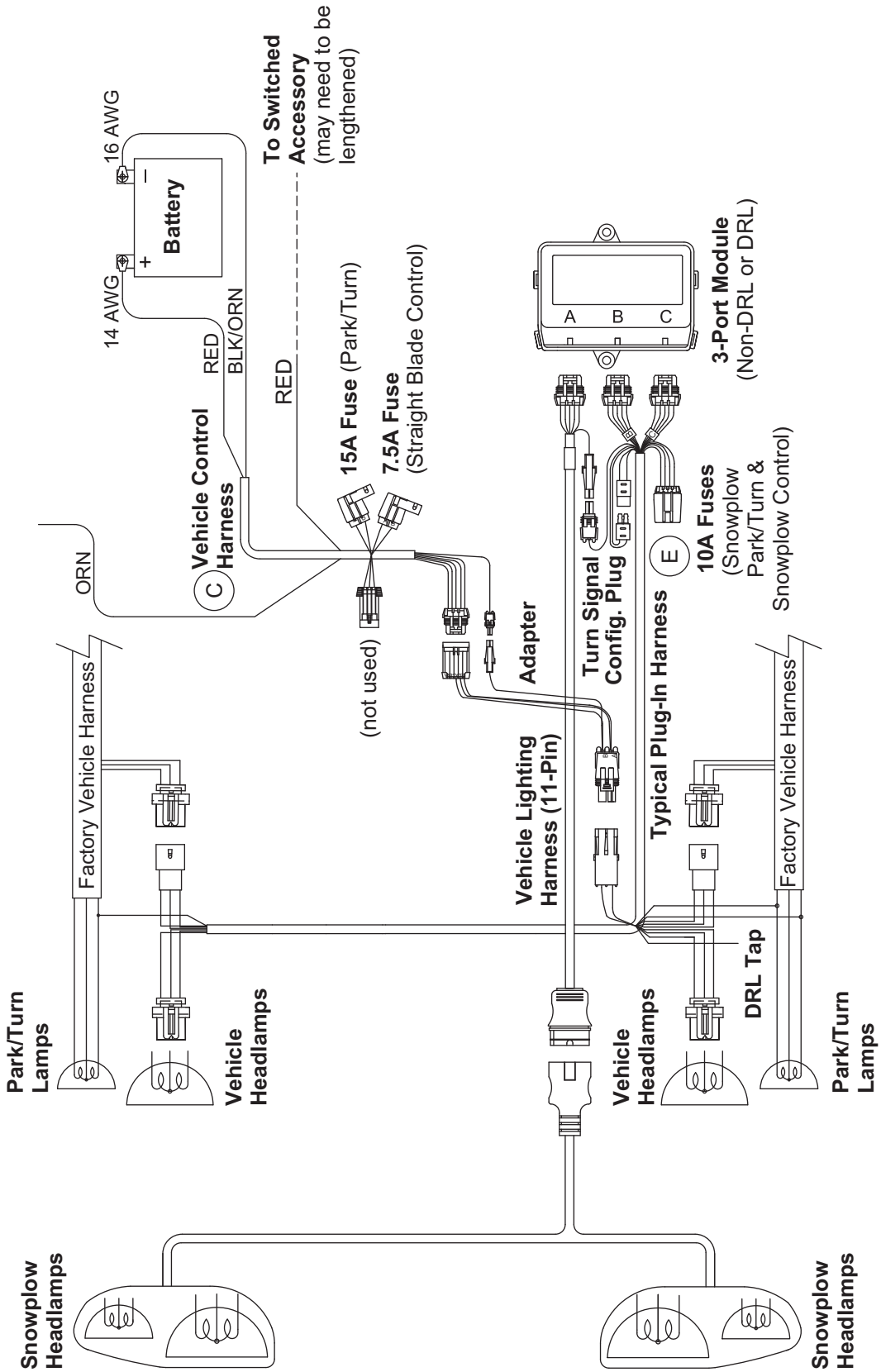
† Not used for central hydraulics.

Vehicle-Side Harness Diagram  
3-Port, 2-Plug System



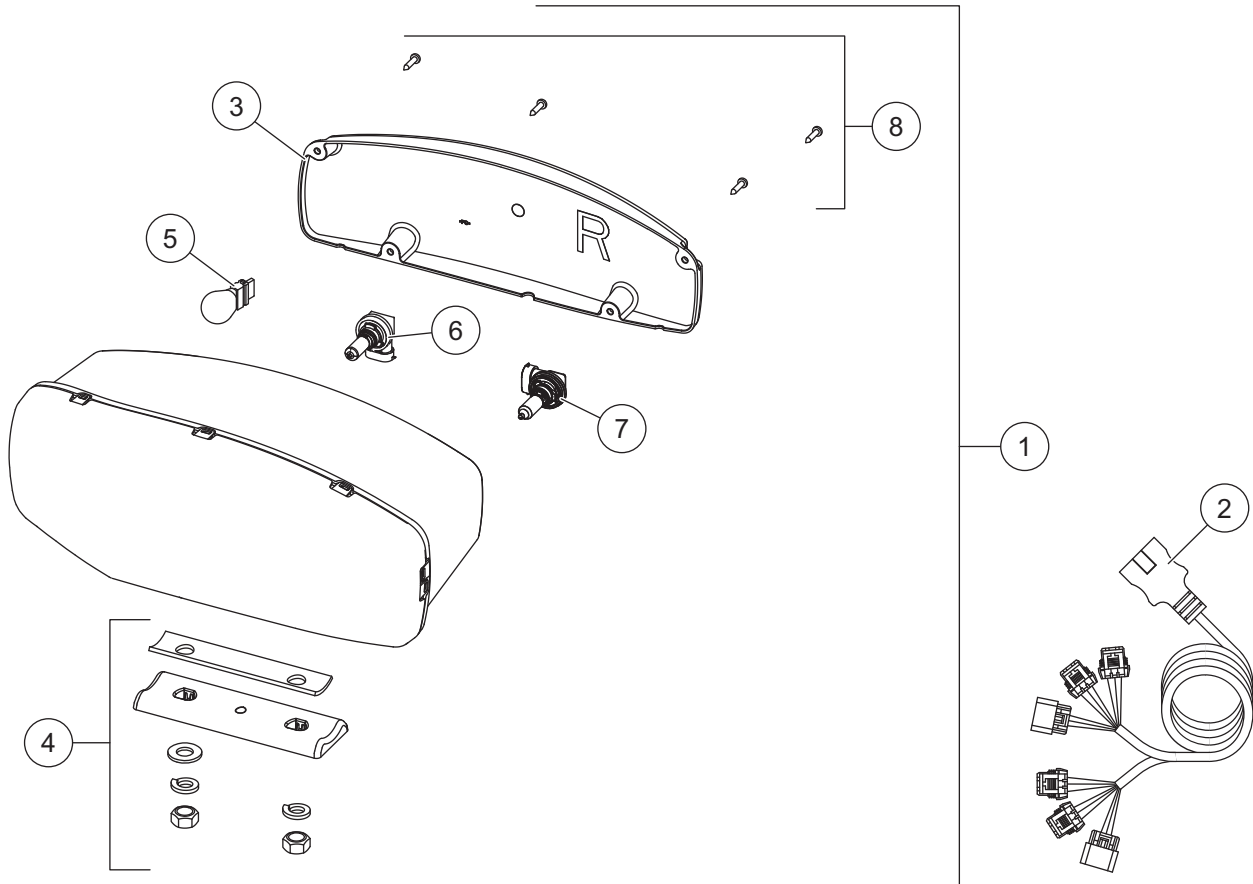
# WIDE-OUT™ & WIDE-OUT™ XL CENTER ASSEMBLY 85910 (CH)

## Vehicle-Side Harness Diagram – Central Hydraulics



# WIDE-OUT™ & WIDE-OUT™ XL CENTER ASSEMBLY 85910 (CH)

## Headlamp Kit



38800 Headlamp Kit H9/H11 (Pair)							
Item	Part	Qty	Description	Item	Part	Qty	Description
1	38802	1	Headlamp Service Kit H9/H11 – PS	2	38807	1	Harness Service Kit H9/H11
ns	38801	1	Headlamp Service Kit H9/H11 – DS				
Item 1	38801/38802 Headlamp Service Kit H9/H11 PS/DS						
3	38803	1	Rear Cover Kit H9/H11 – PS	6	38811	1	Headlamp Bulb Service Kit H11
ns	38812	1	Rear Cover Kit H9/H11 – DS	7	38809	1	Headlamp Bulb Service Kit H9
4	38804	1	Mounting Hardware Kit H9/H11	8	38808	1	Cover Screws Service Kit H9/H11 (pkg of 4)
5		1	Park/Turn Bulb (trade no. 4157NAK)				
ns = not shown							



Western Products  
PO Box 245038  
Milwaukee, WI 53224-9538  
[www.westernplows.com](http://www.westernplows.com)

 A DIVISION OF DOUGLAS DYNAMICS, LLC

Copyright © 2019 Douglas Dynamics, LLC. All rights reserved. This material may not be reproduced or copied, in whole or in part, in any printed, mechanical, electronic, film, or other distribution and storage media, without the written consent of Western Products. Authorization to photocopy items for internal or personal use by Western Products outlets or snowplow owner is granted.

Western Products reserves the right under its product improvement policy to change construction or design details and furnish equipment when so altered without reference to illustrations or specifications used. Western Products or the vehicle manufacturer may require or recommend optional equipment for snow removal. Do not exceed vehicle ratings with a snowplow. Western Products offers a limited warranty for all snowplows and accessories. See separately printed page for this important information. The following are registered (®) or unregistered (™) trademarks of Douglas Dynamics, LLC: CONTRACTOR GRADE®, SECURITY GUARD™, ULTRAFINISH™, UltraMount® 2, WESTERN®, WIDE-OUT™, WIDE-OUT™ XL.

**Printed in U.S.A.**