



Hopper and Drive Components

Striker™ Hopper Spreader
with Dual Hydraulic Drive

#99034-1, 99038-1, 99042-1, 99045-1, 99048-1

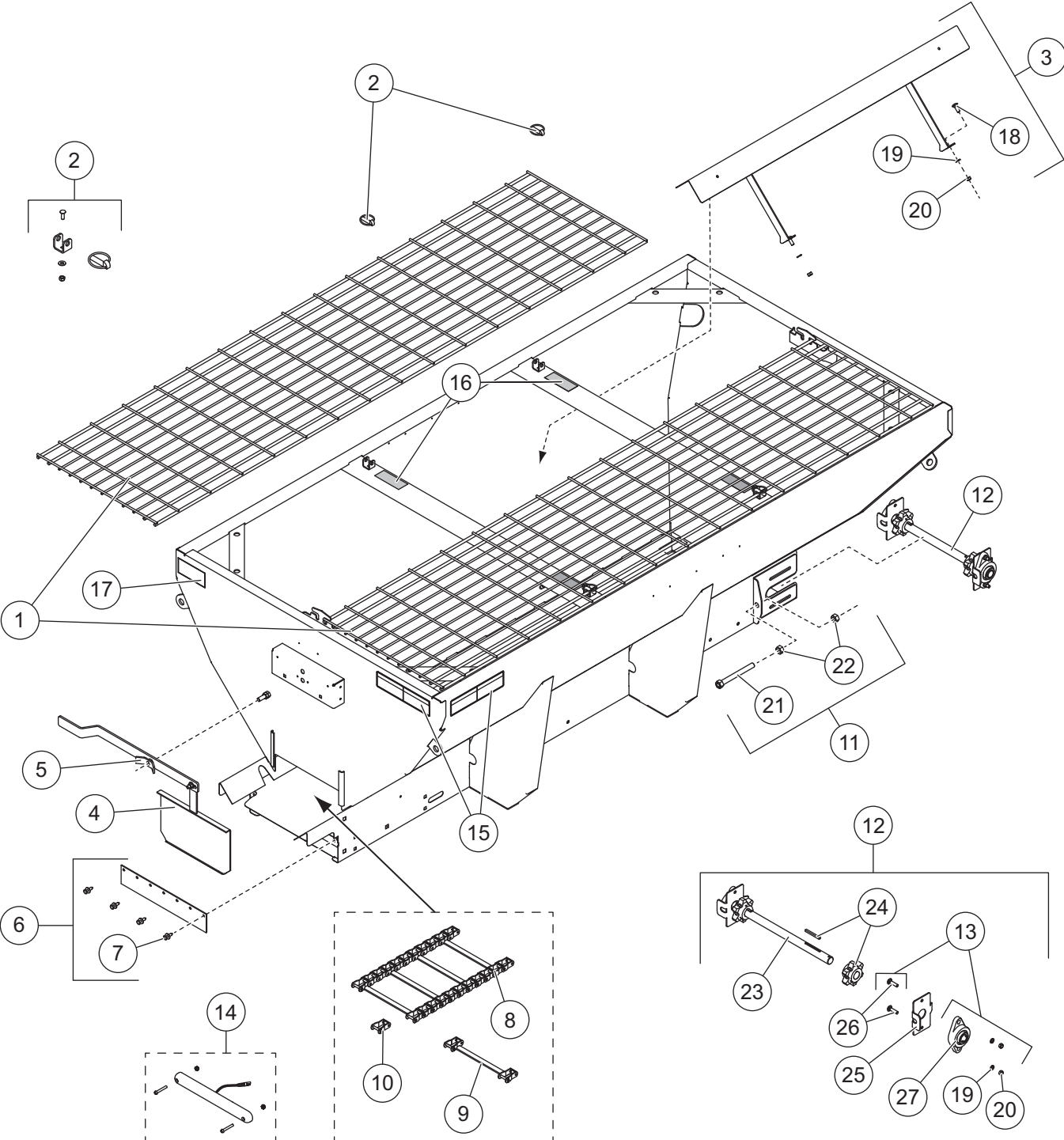
Parts List



This Parts List is for WESTERN® Striker Hopper Spreaders
with serial numbers beginning with 170711 and higher.

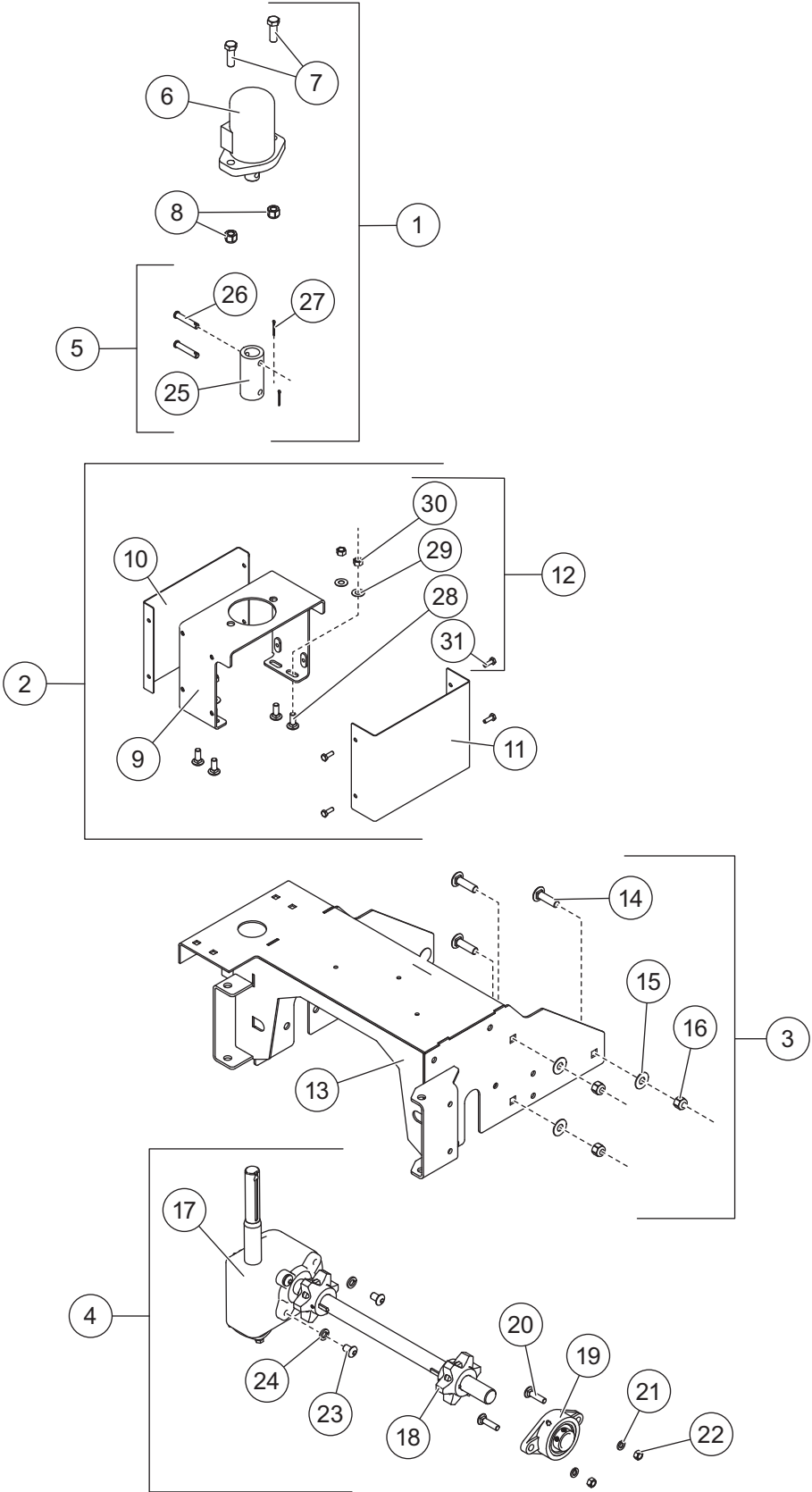
Striker™ HOPPER SPREADER

HOPPER COMPONENTS



Striker™ HOPPER SPREADER

POWER GROUP – HYDRAULIC SPREADERS

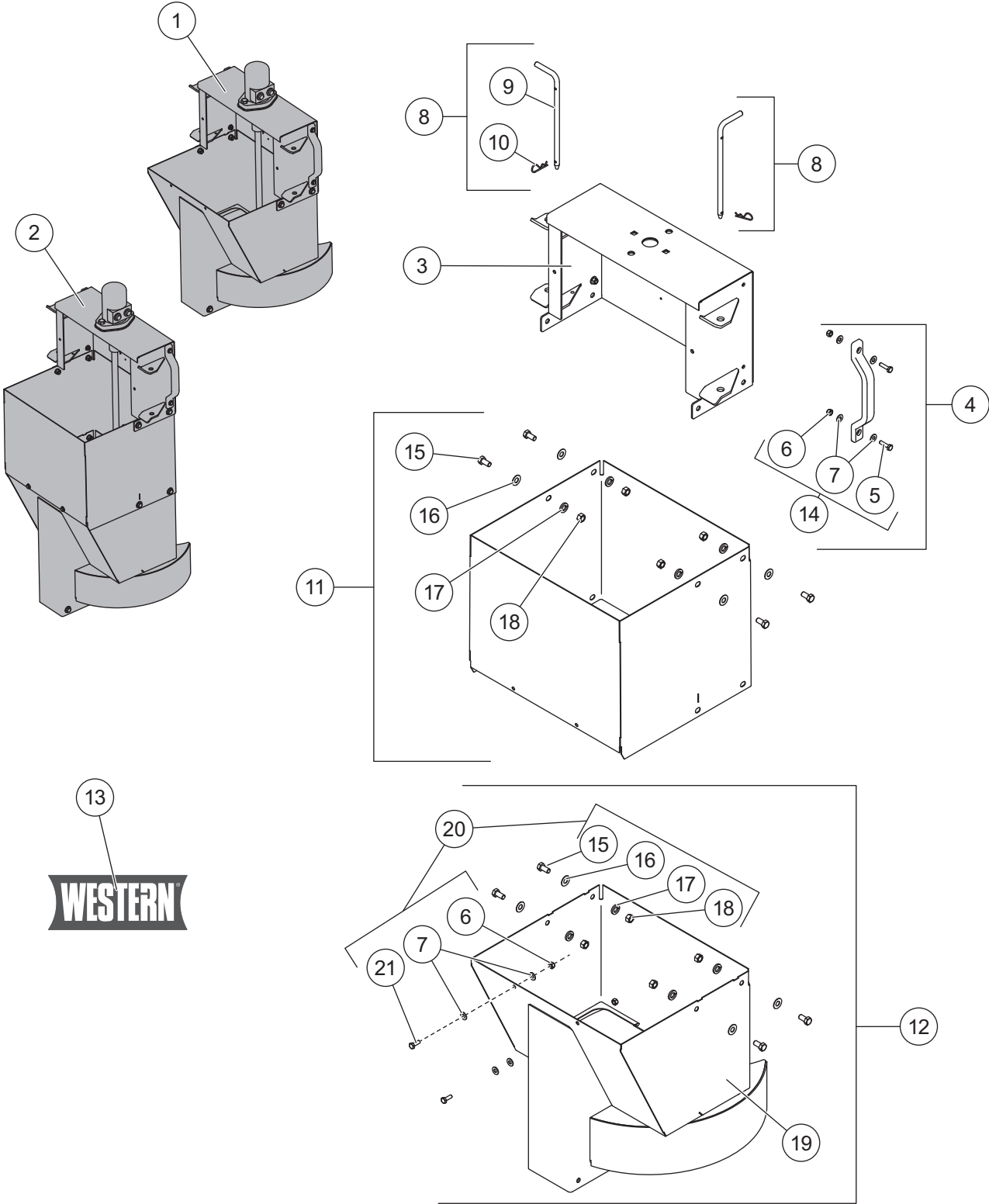


Striker™ HOPPER SPREADER

Power Group — Hydraulic Spreaders							
Item	Part	Qty	Description	Item	Part	Qty	Description
1	99560	1	Hydraulic Motor Kit SH	4	99117	1	Gear Box Assembly
2	99558	1	Hydraulic Motor Mount Kit	5	96399	1	0.75 to 1.0 Coupler, Service
3	96543	1	Power Group – Hydraulic				
Item 1				99560 Hydraulic Motor Kit SH			
5	96399	1	0.75 to 1.0 Coupler, Service	7		2	1/2-13 x 1-1/2 Hex Cap Screw SS
6		1	Hydraulic Motor	8		2	1/2-13 Locknut SS
ns		1	Chute Motor Spacer				
Item 2				99558 Hydraulic Motor Mount Kit			
9		1	Hydraulic Motor Mount	11		1	Motor Mount Cover – PS
10		1	Motor Mount Cover – DS	12	99559	1	Bolt Bag – Hydraulic Motor Mount
Item 3				96543 Power Group – Hydraulic			
13		1	Power Group Base	15		6	1/2 Flat Washer SS
14		6	1/2-13 x 1-3/4 Carriage Bolt SS	16		6	1/2-13 Locknut SS
Item 4				99117 Gear Box Assembly			
17	95567	1	Gear Case	22		2	3/8-16 Hex Nut SS
18	65909	2	Drive Sprocket 6T	23		4	1/2-13 x 3/4 Button Cap Screw Hex Socket
19	94536	1	1-1/8 Bearing, 2-Bolt Flange	24		4	1/2 Lock Washer SS
20		2	3/8-16 x 1-1/2 Carriage Bolt SS				
21		2	3/8 Lock Washer SS				
Item 5				96399 0.75 to 1.0 Coupler, Service			
25		1	0.75 to 1.0 Coupler, Painted	27	91901	2	1/8 x 3/4 Cotter Pin
26	67147	2	3/8 x 2 Clevis Pin HT G5				
Item 12				99559 Bolt Bag – Hydraulic Motor Mount			
28		4	3/8-16 x 1 Carriage Bolt SS	30		4	3/8-16 Locknut GB
29		4	3/8 Flat Washer SS	31		8	1/4-20 x 3/4 Hex Cap Screw SS
		SS = Stainless Steel				ns = not shown	
						G = Grade	
						HT = Heat Treated	

Striker™ HOPPER SPREADER

CHUTE ASSEMBLY



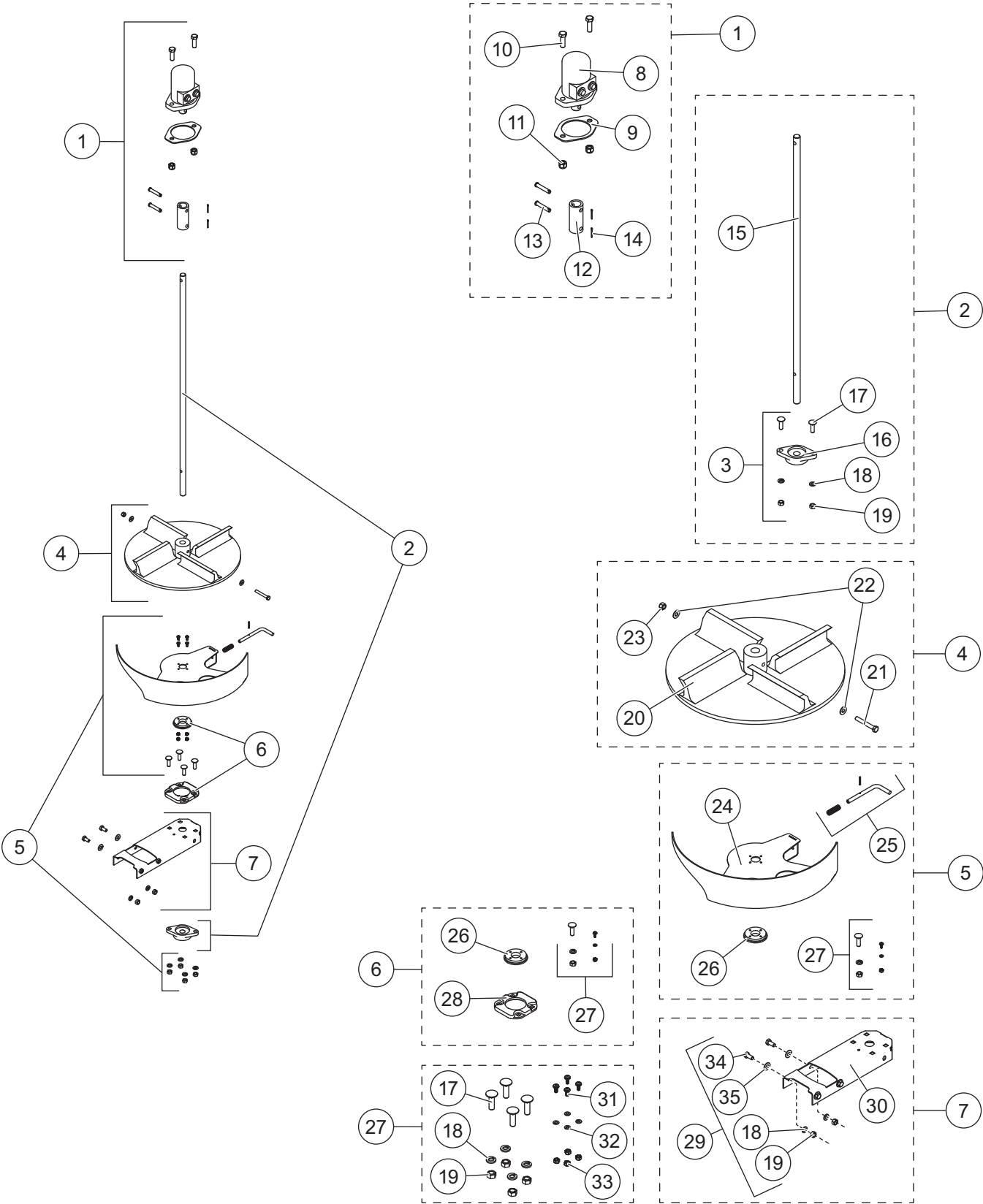
Striker™ HOPPER SPREADER

Chute Assembly							
Item	Part	Qty	Description	Item	Part	Qty	Description
1	99563	1	Short Chute Assembly – Complete*	8	99742	1	Chute Attachment Kit (both sides)
2	99564	1	Long Chute Assembly – Complete*	9		2	3/8 x 8-1/4 Chute Pin
3	96385	1	Chute Upper Section	10		2	3/32 x 2-1/4 Cotter Pin
4	99098	2	Handle Kit	11	99531	1	Chute Middle Section Kit
5		2	1/4-20 x 1-1/4 Hex Cap Screw SS	12	99554	1	Chute Lower Section Kit
6		2	1/4-20 Locknut GB SS	13	96563	1	Rear Logo Plate w/Rivets – Small
7		4	1/4 Flat Washer SS				
Item 4				99098 Handle Kit			
		1	Handle	14	99099	1	Bolt Bag – Handle Kit
Item 8				99742 Chute Attachment Kit			
9		1	3/8 x 8-1/4 Chute Pin	10		1	3/32 x 2-1/4 Cotter Pin
Item 11				99531 Chute Middle Section Kit			
15		4	3/8-16 x 3/4 Hex Cap Screw SS	17		4	3/8 Lock Washer SS
16		4	3/8 Flat Washer SS	18		4	3/8-16 Hex Nut SS
Item 12				99554 Chute Lower Section Kit			
19		1	Chute Lower Section	20	99557	1	Bolt Bag – Lower Chute Kit
Item 14				99099 Bolt Bag – Handle Kit			
5		2	1/4-20 x 1-1/4 Hex Cap Screw SS	7		4	1/4 Flat Washer SS
6		2	1/4-20 Locknut GB SS				
Item 20				98981 Bolt Bag – Chute Lower Section Kit			
6		2	1/4-20 Locknut GB SS	17		4	3/8 Lock Washer SS
7		4	1/4 Flat Washer SS	18		4	3/8-16 Hex Nut SS
15		4	3/8-16 x 3/4 Hex Cap Screw SS	21		2	1/4-20 x 3/4 Hex Cap Screw SS
16		4	3/8 Flat Washer SS				
			SS = Stainless Steel			ns = not shown	G = Grade

* Includes spinner and shutter assemblies shown on following page. Logo Plate (item 13) not included.

Striker™ HOPPER SPREADER

SPINNER SHAFT, SPINNER & SHUTTER ASSEMBLIES



Striker™ HOPPER SPREADER

Spinner Shaft, Spinner & Shutter Assemblies							
Item	Part	Qty	Description	Item	Part	Qty	Description
1	99560	1	Hydraulic Motor Kit SH	4	99485	1	Poly Spinner Kit
2	99561	1	Long Spinner Shaft & Bearing Kit	5	99135	1	Shutter Replacement Kit
ns	99562	1	Short Spinner Shaft & Bearing Kit	6	96504	1	Chute Shutter Bearing Kit
3	96501	1	Bearing Kit	7	96392	1	Shutter Bearing Support Kit
Item 1				99560 Hydraulic Motor Kit SH			
8		1	Hydraulic Motor	12		1	.75 to 1.0 Coupler, Painted
9		1	Chute Motor Spacer	13		2	3/8 x 2 Clevis Pin HT G5
10		2	1/2-13 x 1-1/2 Hex Cap Screw SS	14		2	1/8 x 3/4 Cotter Pin
11		2	1/2-13 Locknut SS				
Item 2				99561 Long Spinner Shaft & Bearing Kit			
3	96501	1	Bearing Kit	15		1	Spinner Shaft – Long, Hydraulic (36")
ns				99562 Short Spinner Shaft & Bearing Kit			
3	96501	1	Bearing Kit	ns		1	Spinner Shaft – Short, Hydraulic (24")
Item 3				96501 Bearing Kit			
16	96167	1	Pillow Block Bearing 3/4 Bore	18		2	3/8 Lock Washer SS
17		2	3/8-16 x 1-1/4 Carriage Bolt	19		2	3/8-16 Hex Nut SS
Item 4				99485 Poly Spinner Kit			
20		1	Spinner, Black Poly – CW Rotation	22		2	5/16 Flat Washer SS
21		1	5/16-18 x 2-1/4 Hex Cap Screw SS	23		1	5/16-18 Locknut GB SS
Item 5				99135 Shutter Replacement Kit			
24		1	Chute Shutter	26		1	Chute Shutter Bearing – Inner
25	96505	1	Shutter Lock Pin Kit	27	99615	1	Bolt Bag – Shutter
Item 6				96504 Chute Shutter Bearing Kit			
26		1	Chute Shutter Bearing – Inner	28		1	Chute Shutter Bearing – Outer
27	99615	1	Bolt Bag – Shutter				
Item 7				96392 Shutter Bearing Support Kit			
29	96529	1	Bolt Bag, Shutter Bearing Support Kit	30		1	Chute Lower Bearing Support
Item 27				99615 Bolt Bag – Shutter			
17		4	3/8-16 x 1-1/4 Carriage Bolt	31		4	#10-32 x 1/2 #2 Pan-Head Screw SS
18		4	3/8 Lock Washer SS	32		4	#10 Flat Washer SS
19		4	3/8-16 Hex Nut SS	33		4	#10-32 Locknut GB
Item 29				96529 Bolt Bag – Shutter Bearing Support Kit			
18		4	3/8 Lock Washer SS	34		4	3/8-16 x 3/4 Hex Cap Screw SS
19		4	3/8-16 Hex Nut SS	35		4	3/8 Flat Washer SS
		SS = Stainless Steel				ns = not shown	
						G = Grade	
						HT = Heat Treated	

Striker™ HOPPER SPREADER

ACCESSORIES

Accessory Kits			
Part	Description	Part	Description
99698	Chute Extension Kit w/Long Spinner Shaft, Hydraulic	99732-1*	Secondary Work Light Kit
99561	Long Spinner Shaft & Bearing Kit	99494*	Strobe Light Kit
99562	Short Spinner Shaft & Bearing Kit	76668*	Vibrator Kit
99627	Accessory Enclosure & Harness Kit, Hydraulic	99488	Hopper Side Extension Kit
99686*	License Plate Light Kit	92532	Truck Mount Kit, 2 Bars – 8' Hopper
99505-1*	Primary Work Light Kit	92533	Truck Mount Kit, 3 Bars – 9' & 10' Hoppers
		99690	Tie-Down Kit SH Chain
		95245	Dual-Flow Control Valve

* Requires installation of the 99627 Accessory Enclosure and Harness Kit, Hydraulic.

Pre-Wet Kits			
Part	Description	Part	Description
76400	Standard Pump Kit, On-Off System	76425	50-Gallon Tank Kit (2 x 25 gal)
76420	Deluxe Pump Kit, Full-Feature System	76450	100-Gallon Tank Kit (2 x 50 gal)
76405	Pre-Wet Pump Switch Kit		

Striker™ HOPPER SPREADER

Striker™ HOPPER SPREADER



Western Products
PO Box 245038
Milwaukee, WI 53224-9538
www.westernplows.com

 A DIVISION OF DOUGLAS DYNAMICS, LLC

Copyright © 2018 Douglas Dynamics, LLC. All rights reserved. This material may not be reproduced or copied, in whole or in part, in any printed, mechanical, electronic, film, or other distribution and storage media, without the written consent of Western Products. Authorization to photocopy items for internal or personal use by Western Products outlets or spreader owner is granted.

Western Products reserves the right under its product improvement policy to change construction or design details and furnish equipment when so altered without reference to illustrations or specifications used. Western Products or the vehicle manufacturer may require or recommend optional equipment for spreaders. Do not exceed vehicle ratings with a spreader. Western Products offers a limited warranty for all spreaders and accessories. See separately printed page for this important information. The following are registered (®) or unregistered (™) trademarks of Douglas Dynamics, LLC: Striker™, WESTERN®.

Printed in U.S.A.