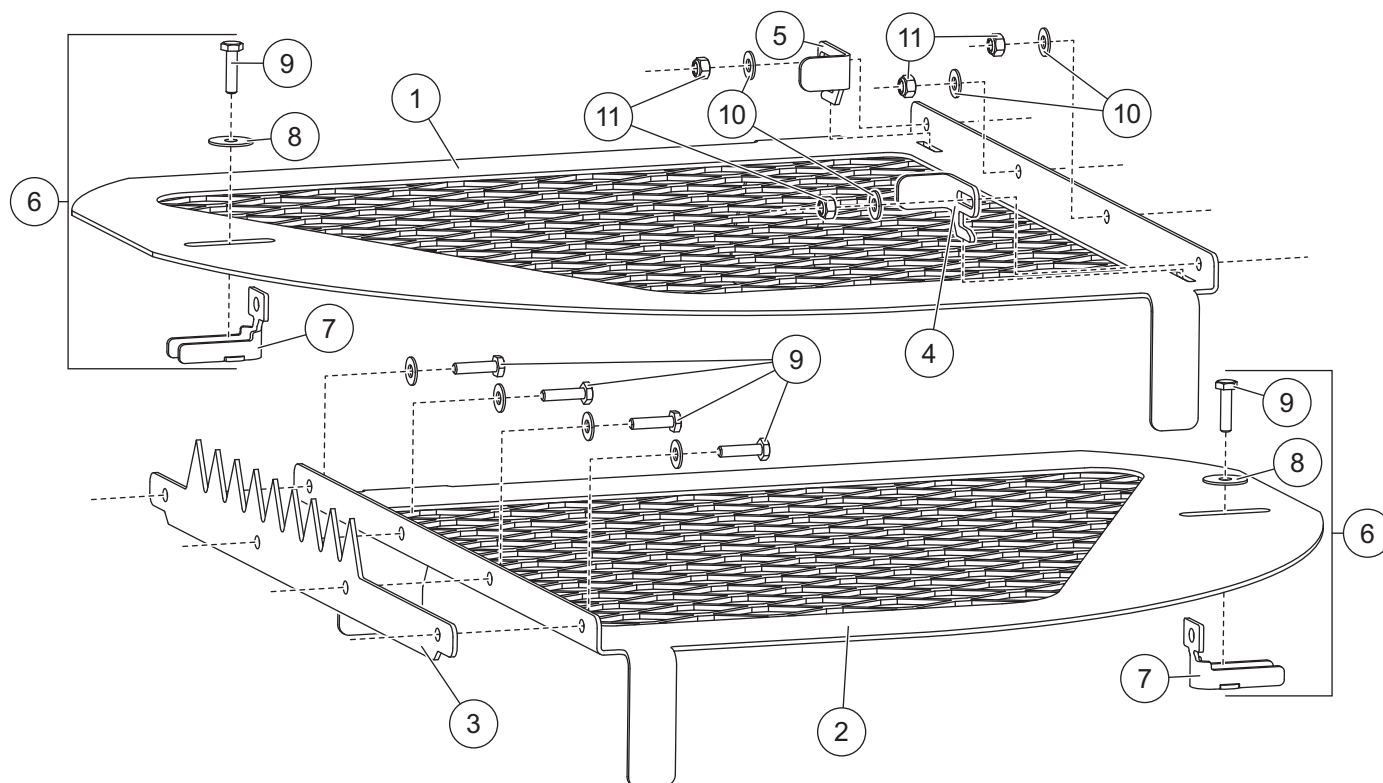


Top Screen Bag Splitter Kit

Model 2500 Tailgate Spreaders

PARTS LIST



48797 Top Screen Bag Splitter Kit							
Item	Part	Qty	Description	Item	Part	Qty	Description
1	48793	1	Screen – DS	5	48788	1	Splitter Latch, Rear
2	48795	1	Screen – PS	6	48803	2	Top Screen Latch Kit
3	48787	1	Splitter Bar	ns	48790	1	Bolt Bag
4	48789	1	Splitter Latch, Front				
Item 6				48803 Top Screen Latch Kit			
7		1	Latch	9		1	1/4-20 x 1 Hex Cap Screw SS
8		1	Flat Washer SS Special				
				48790 Bolt Bag			
9		4	1/4-20 x 1 Hex Cap Screw SS	11		4	1/4-20 Hex Locknut GB Topring
10		8	1/4 Flat Washer Type A Narrow				
ns = not shown				G = Grade			

⚠ CAUTION

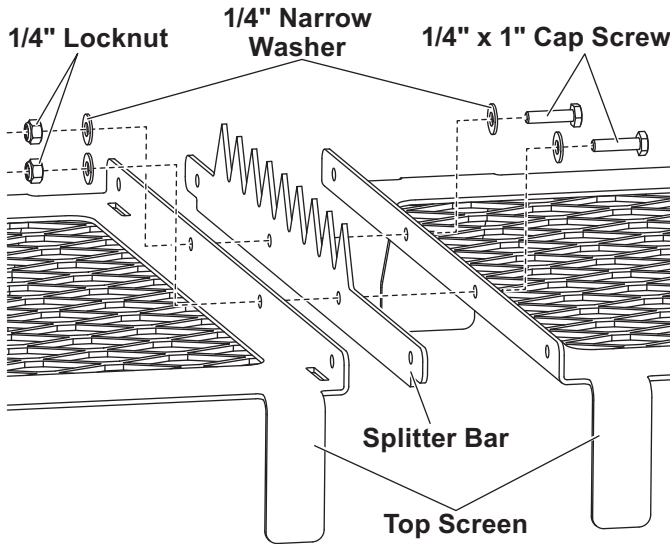
Read this document before installing the top screen bag splitter kit.

⚠ CAUTION

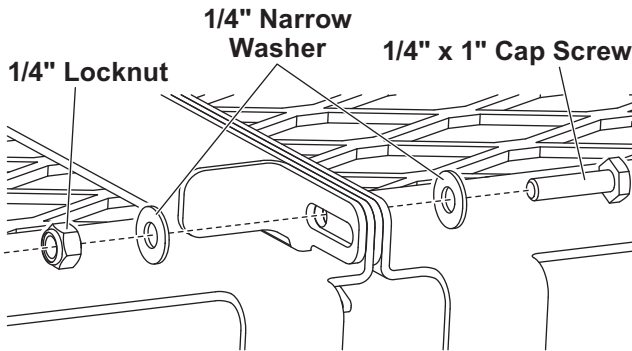
Use standard methods and practices when attaching spreader and installing accessories including proper personal protective safety equipment.

INSTALLATION INSTRUCTIONS

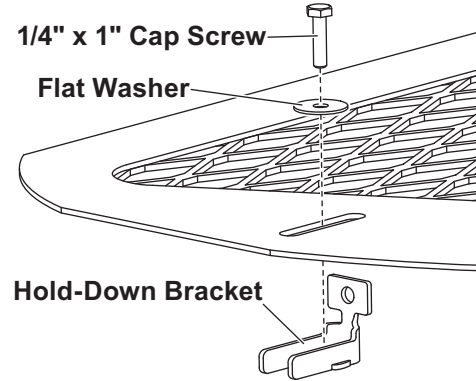
1. Position the splitter bar, with cutting points up, between the center edges of the top screens. Align the holes. The longer end of the splitter bar should be on the same side as the narrow legs for the top screen, as shown.
2. Fasten together through the two center holes using one 1/4" x 1" cap screw, two 1/4" narrow flat washers and one 1/4" locknut per hole.



3. Insert the leg of the front splitter latch into the slot in the top screen. Line up the slot in the latch with the splitter bar hole nearest the truck. Fasten loosely using one 1/4" x 1" cap screw, two 1/4" narrow flat washers and one 1/4" locknut.



4. Repeat with the rear splitter latch using the hole on the other end of the splitter bar.
5. Insert the square tab of the hold-down bracket through the slot in the side of the top screen assembly. Turn the bracket so the legs point toward the edge of the tub. Fasten loosely with one 1/4" x 1" cap screw and one flat washer. Repeat on other side.



6. Place the screen assembly over the top of the spreader tub. Push the front and back latches toward the tub until legs slide under edge of the tub. Tighten both fasteners. Push the side hold-down brackets toward the tub until the legs slide under the edges of the tub. Tighten both fasteners.

To Use Top Screen Without Bag Splitter:

Assemble using Steps 1 and 2 above, positioning the splitter bar cutting points down instead of up.

To Remove Top Screen:

Loosen the screws on both side hold-down brackets and both front and rear latches. Pull the side hold-down brackets toward the center of the tub until the legs are clear of the tub's edge. Pull the front and rear splitter latches toward center of the tub until the legs are clear of the tub's edge. Lift off the top screen assembly.

Copyright © 2010 Douglas Dynamics, L.L.C. All rights reserved. This material may not be reproduced or copied, in whole or in part, in any printed, mechanical, electronic, film or other distribution and storage media, without the written consent of the company. Authorization to photocopy items for internal or personal use by the company's outlets or spreader owner is granted.

The company reserves the right under its product improvement policy to change construction or design details and furnish equipment when so altered without reference to illustrations or specifications used. This equipment manufacturer or the vehicle manufacturer may require or recommend optional equipment for spreaders. Do not exceed vehicle ratings with a spreader. The company offers a limited warranty for all spreaders and accessories. See separately printed page for this important information.