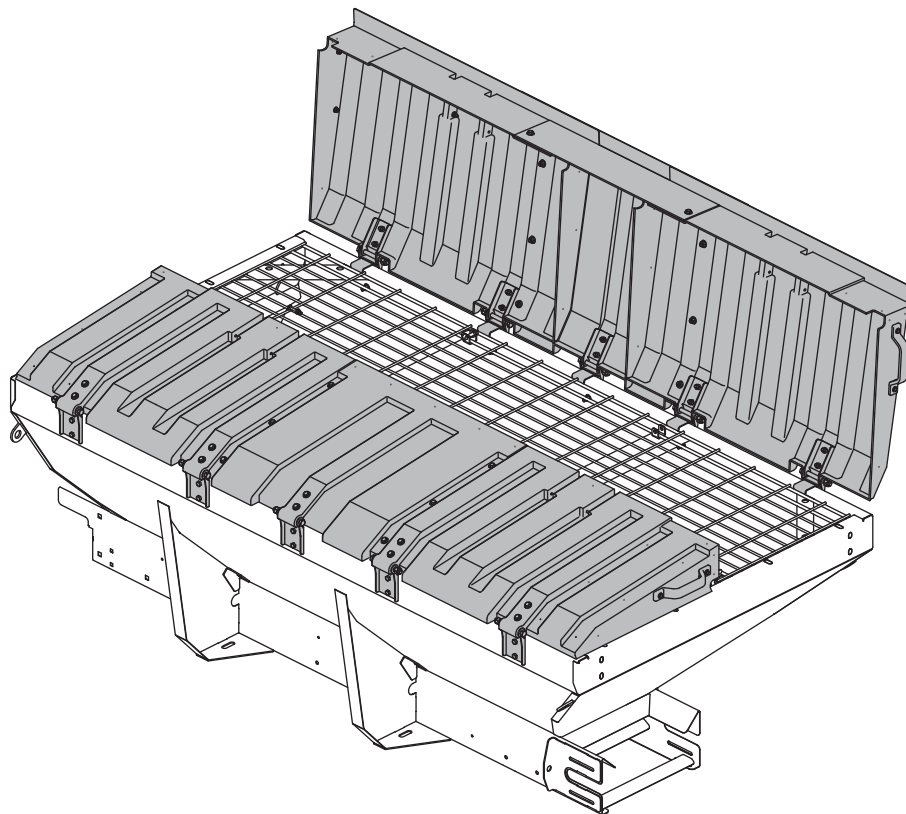


Hopper Lid Kits

For Regular Capacity and High Capacity Stainless Steel Hopper Spreaders

Parts List & Installation Instructions



⚠ WARNING

Do not exceed GVWR or GAWR ratings as found on the driver-side vehicle door corner post.

⚠ CAUTION

Read this document before installing the accessory hopper lids.

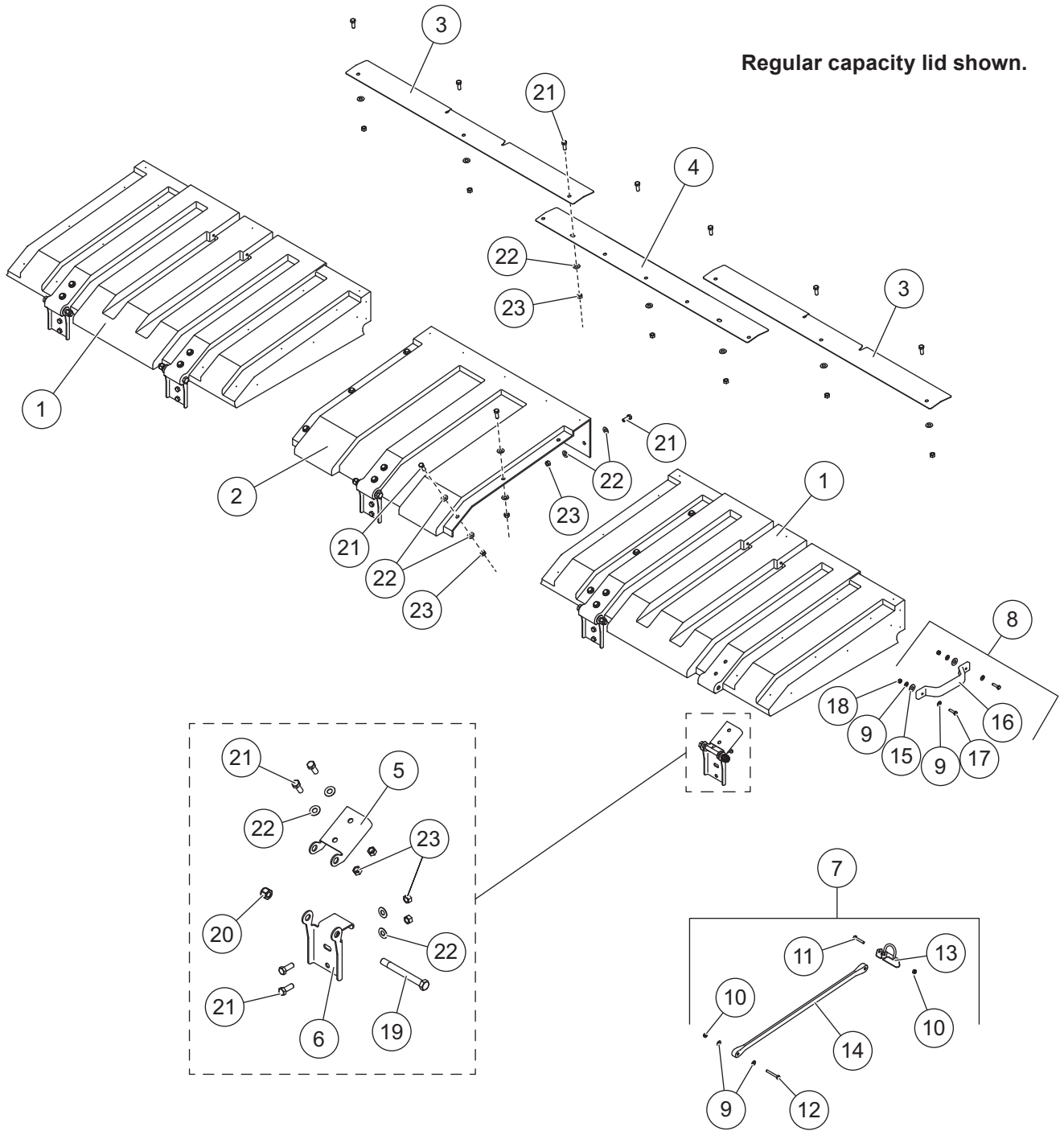
⚠ CAUTION

See your sales outlet/website for specific vehicle application recommendations before installation. Accessory hopper lids weight information may be found in the online selection system.

⚠ CAUTION

Use standard methods and practices when attaching spreader and installing accessories, including proper personal protective safety equipment.

PARTS LIST



72750 Regular Capacity Hopper Lid Kit / 72770 High Capacity Hopper Lid Kit							
Item	Part	Qty	Description	Item	Part	Qty	Description
1	72657	4	Outer Lid Panel, RC Hopper	5	72659	10 [†]	Lid Hinge
	72797	4	Outer Lid Panel, HC Hopper	6	72658	10 [†]	Hopper Hinge
2*	72656	2	Center Lid Panel, RC Hopper	7	72729	1	Tie-Down Strap Kit, Hopper
	72796	2	Center Lid Panel, HC Hopper	8	99098	2	Handle Kit
3	72661	2	Outer Lid Overlap	ns	72688	1	Bolt Bag
4*	72662	1	Center Lid Overlap				
Item 7				72729 Tie-Down Strap Kit, Hopper			
9		2	1/4 Flat Washer SS	12		1	1/4-20 x 2 Hex Cap Screw SS
10		2	1/4-20 Locknut GB	13		1	Strap Clip
11		1	1/4-20 x 1-1/2 Hex Cap Screw SS	14		1	24" Tie-Down Strap
Item 8				99098 Handle Kit			
9		4	1/4 Flat Washer SS	17		2	1/4-20 x 1-1/4 Hex Cap Screw SS
15		2	3/8 Flat Washer SS	18		2	1/4-20 Locknut SS
16		1	Handle				
				72688 Bolt Bag			
19		10 [†]	1/2-13 x 4-1/2 Hex Cap Screw SS	22		79 [‡]	3/8 Flat Washer Type A Wide SS
20		10 [†]	1/2-13 Hex Locknut	23		63 [‡]	3/8-16 Hex Locknut GB
21		63 [‡]	3/8-16 x 1 Hex Cap Screw SS				
ns = not shown				SS = Stainless Steel		G = Grade	

* Not used on 7' hopper lids.

[†] Qty 8 for 7' hopper lids.

[‡] 7' hopper lids do not use full quantity of 3/8" fasteners supplied in the 72688 bolt bag.

INSTALLATION INSTRUCTIONS

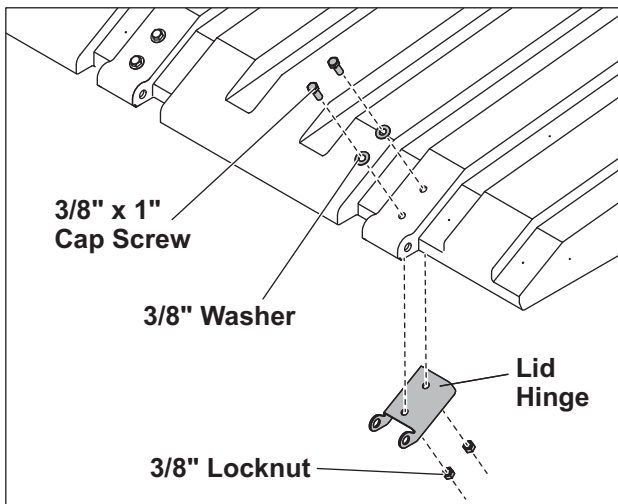
Park the vehicle on a smooth, level, hard surface, such as concrete. Turn the vehicle ignition OFF and remove the key.

The driver-side and passenger-side hopper lids are identical. Assemble each lid as follows.

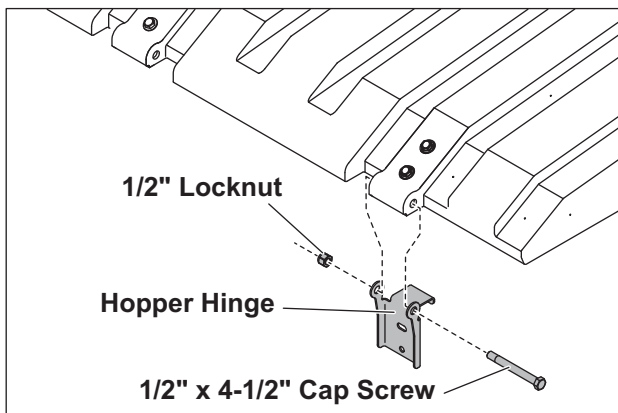
NOTE: Apply anti-seize lubricant to the stainless steel fasteners to prevent them from binding during installation.

Install Lid Hinges

1. Install two lid hinges to each outer lid panel and one hinge to each center panel using 3/8" x 1" cap screws, 3/8" washers, and 3/8" locknuts as shown. Hand tighten the fasteners.

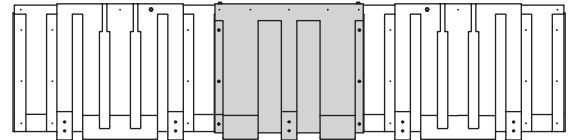


2. Attach a hopper hinge to each lid hinge using a 1/2" x 4-1/2" cap screw and 1/2" locknut as shown. Tighten to 75 ft-lb.

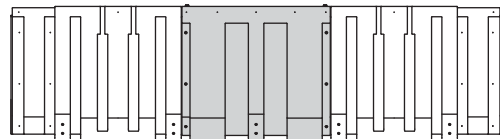


Assemble Lids

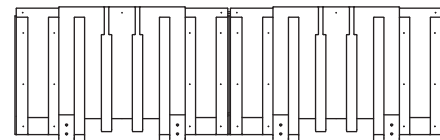
Regular Capacity Hoppers



9' Lid

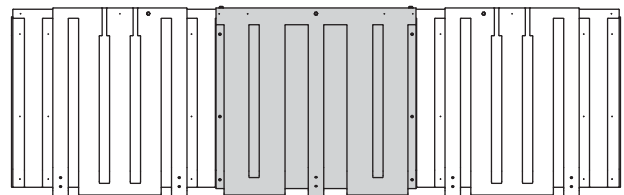


8' Lid

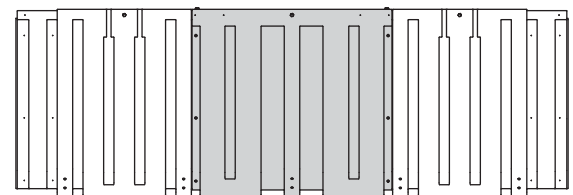


7' Lid

High Capacity Hoppers



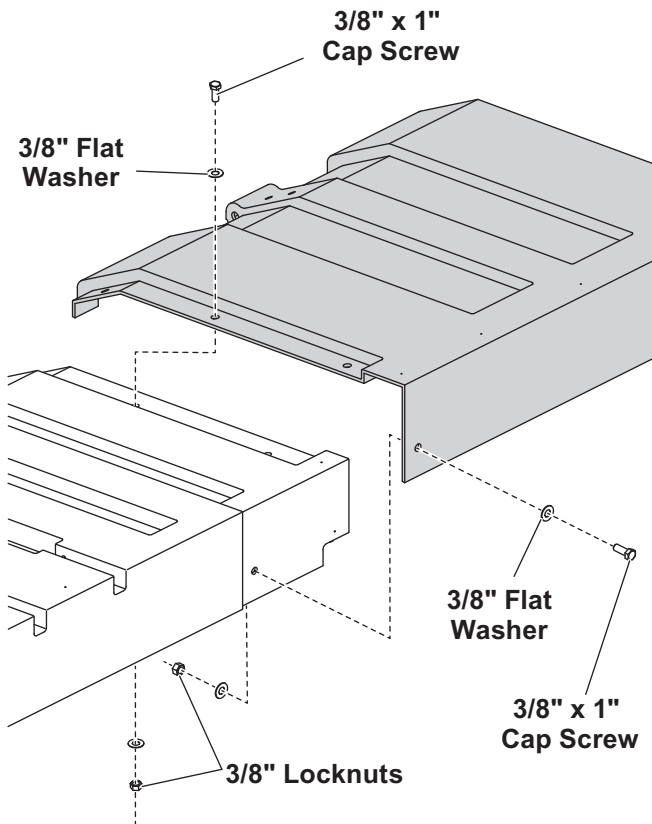
10' Lid



9' Lid

8', 9', or 10' Hopper Lid

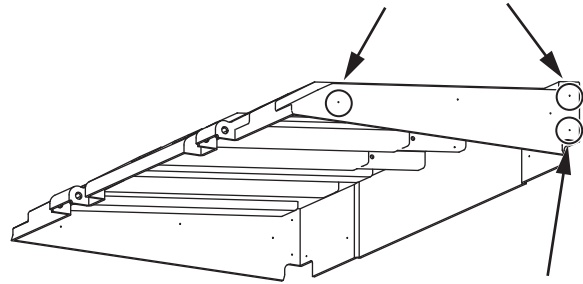
1. Place two outer lid panels on the ground or work bench, spaced to fit the desired finished length.
2. Position a center lid panel so that it overlaps the edges of the outer panels. The amount of overlap is determined by hopper size, as shown on the previous page. Make sure that the center panel stays centered.
3. Using the holes on the edges of the center panel as a guide, drill three 3/8" holes through the top of each outer panel. Drill one 3/8" hole through the side of each outer panel on the non-hinge edge.
4. Assemble the center panel to the outer panels using a 3/8" x 1" cap screw, two 3/8" flat washers, and a 3/8" locknut in each hole, as shown. Hand tighten the fasteners.



5. Repeat for the second hopper lid.

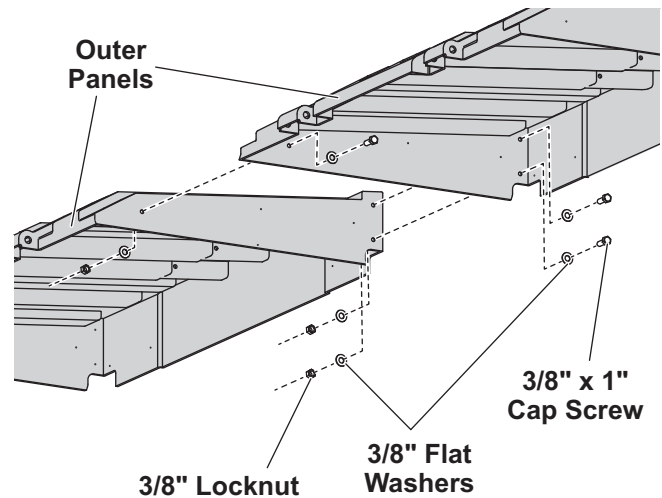
7' Hopper Lid

1. Drill 3/8" holes at marked locations on matching ends of two outer panels. (No center panel required for 7' lid assemblies.)



Drill 3/8" holes at marked points.

2. Align the outer panels and secure them together using three 3/8" x 1" cap screws, six 3/8" flat washers, and three 3/8" locknuts in the drilled holes, as shown. Hand tighten the fasteners.



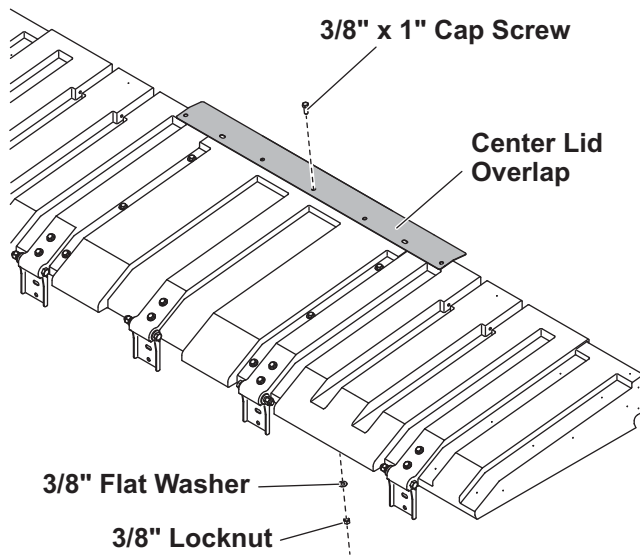
3. Repeat for the second hopper lid.

Install Lid Overlaps

8', 9', or 10' Hopper Lid

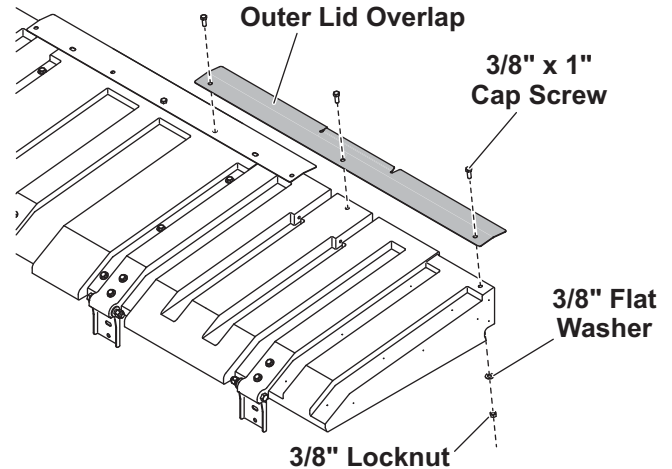
1. Position a center lid overlap (seven holes) against the long inner edge of the lid assembly, centering it on the center lid panel. Using the center hole of the lid overlap as a guide, drill a 3/8" hole through the lid center panel.
2. Install the lid overlap to the center lid panel using a 3/8" x 1" cap screw, 3/8" washer, and 3/8" locknut as shown. Hand tighten.

8' hopper lid shown.



3. Position an outer lid overlap (three holes) against one outer lid panel, aligning the holes with holes in the previously installed center lid overlap. Using the holes in the lid overlap as a guide, drill three 3/8" holes through the outer lid panel.

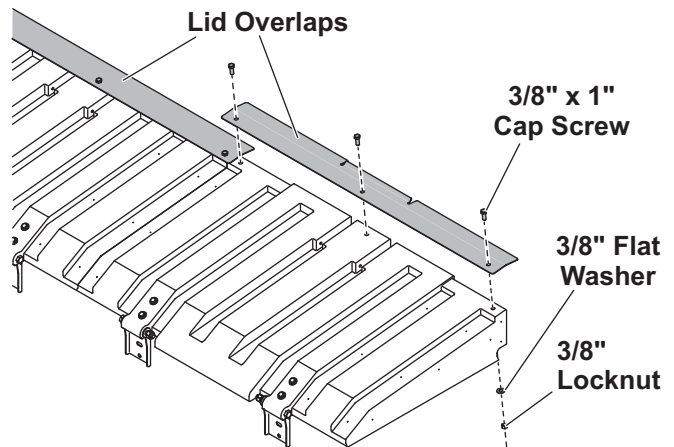
4. Install the outer lid overlap using three 3/8" x 1" cap screws, 3/8" flat washers, and 3/8" locknuts as shown.



5. Repeat Steps 3 and 4 to install a lid overlap on the second outer lid panel. Hand tighten all the lid overlap fasteners.

7' Hopper Lid

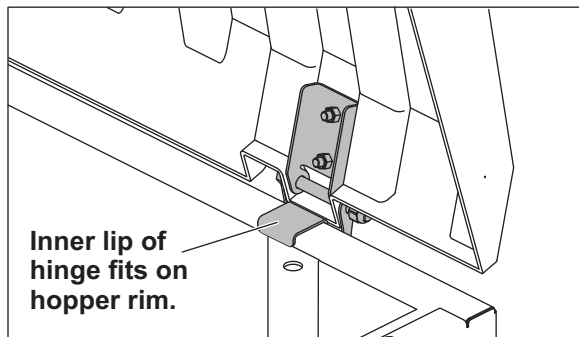
1. Position an outer lid overlap (three holes) against one of the assembled lids. Using the existing holes in the lid overlap as a guide, drill three 3/8" holes through the lid panel.
2. Install the overlap to the panel using three 3/8" x 1" cap screws, 3/8" flat washers, and 3/8" locknuts as shown.



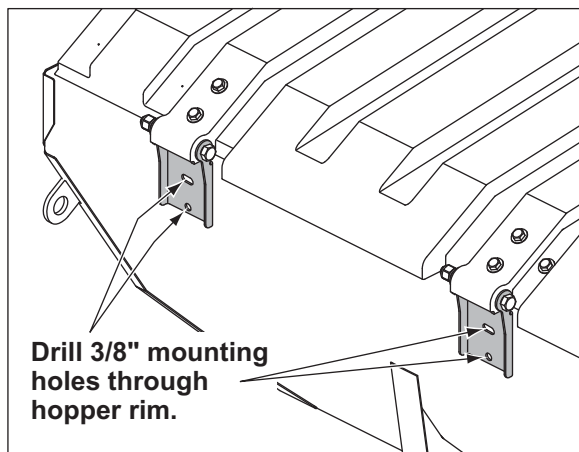
3. Repeat for the other lid panel. The second overlap strip will slightly overlap the first one.

Install Lids on Hopper

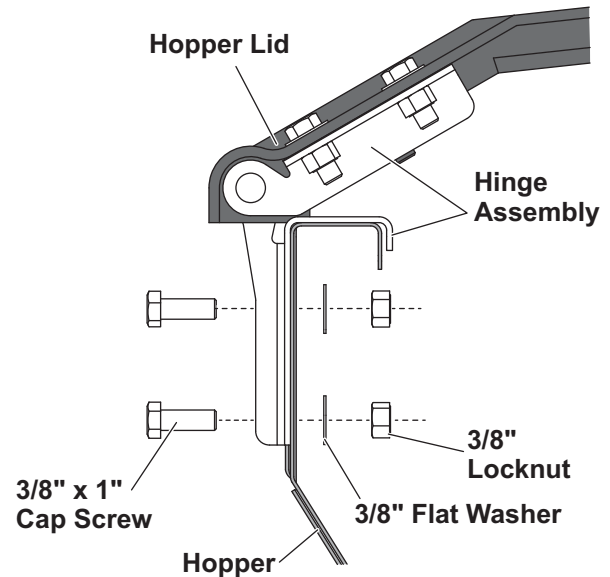
1. Set aside the hopper top screen and linchpins.
2. Position both lid assemblies on the hopper rim, making sure that the lid assemblies are centered front to back. Push the hinge assemblies into place so that the hinge brackets fit onto the hopper rim.



3. The lower half of each hinge should be resting against the outside of the hopper. Use the holes in the hopper hinge as a guide for drilling 3/8" holes through the hopper rim.



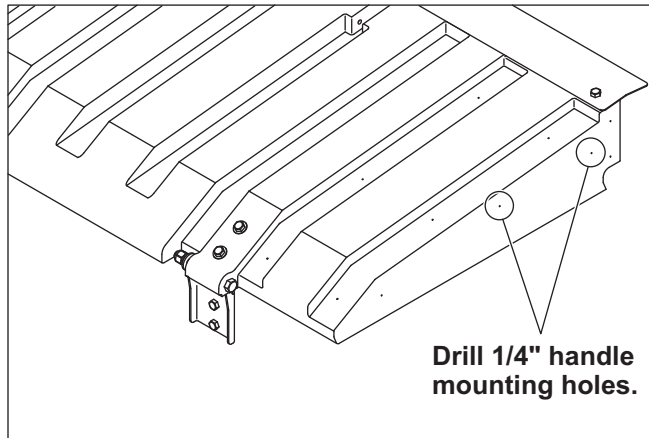
4. Attach each hinge to the hopper using two 3/8" x 1" cap screws, 3/8" flat washers, and 3/8" locknuts as shown. Tighten the fasteners to 30 ft-lb.



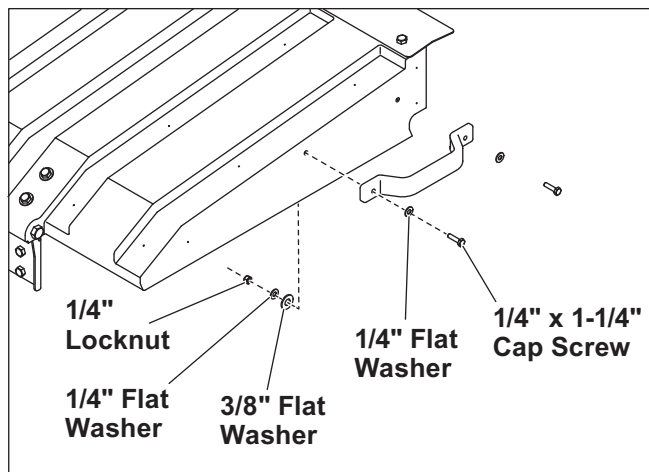
5. Replace the top screen and linchpins.

Install Lid Handles

1. The lid handles may be installed at either end of the hopper. Choose the preferred mounting location.
2. Using the molded-in drill points in the outer lid panels as a guide, drill two 1/4" holes through the outer lid panel.

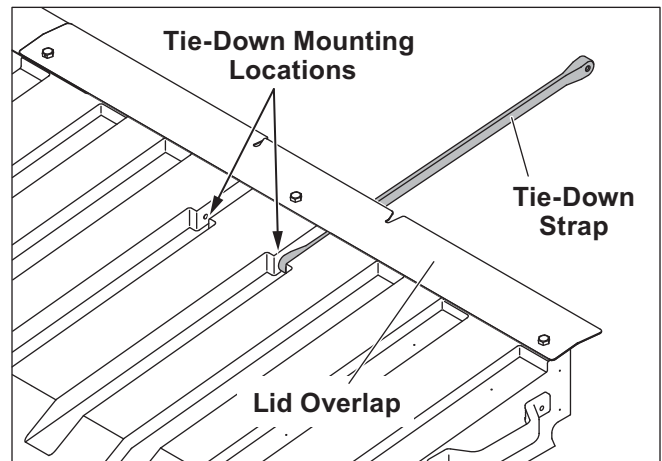


3. Install each handle using two 1/4" x 1-1/4" cap screws, four 1/4" flat washers, two 3/8" flat washers, and two 1/4" locknuts as shown. Hand tighten.

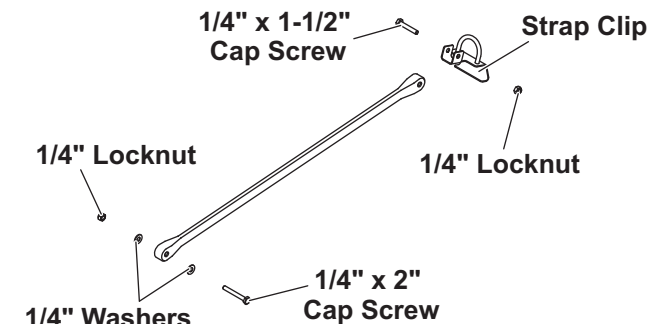


Install Tie-Down Strap

1. On the lid with lid overlap strips installed, choose the preferred mounting location for the tie-down strap. Pass one end of the strap under the lid overlap.
2. Attach the tie-down strap to the hopper lid using a 1/4" x 2" cap screw, two 1/4" flat washers, and a 1/4" locknut in the existing holes in the hopper lid.



3. Install the strap clip to the free end of the tie-down strap using a 1/4" x 1-1/2" cap screw and 1/4" locknut.



4. To secure the closed hopper lids, hook the strap clip over the outer edge of the opposite lid.

Copyright © 2019 Douglas Dynamics, LLC. All rights reserved. This material may not be reproduced or copied, in whole or in part, in any printed, mechanical, electronic, film, or other distribution and storage media, without the written consent of the company. Authorization to photocopy items for internal or personal use by the company's outlets or spreader owner is granted.

The company reserves the right under its product improvement policy to change construction or design details and furnish equipment when so altered without reference to illustrations or specifications used. This equipment manufacturer or the vehicle manufacturer may require or recommend optional equipment for spreaders. Do not exceed vehicle ratings with a spreader. The company offers a limited warranty for all spreaders and accessories. See separately printed page for this important information.