



7600, 8000, 8600, 9000

Heavy Duty Snowplow

**Blade Assembly 77720, 77725, 77730, 77735,
77720-1, 77725-1, 77730-1, 77735-1**

Big Box Assembly 77820-1

Parts List

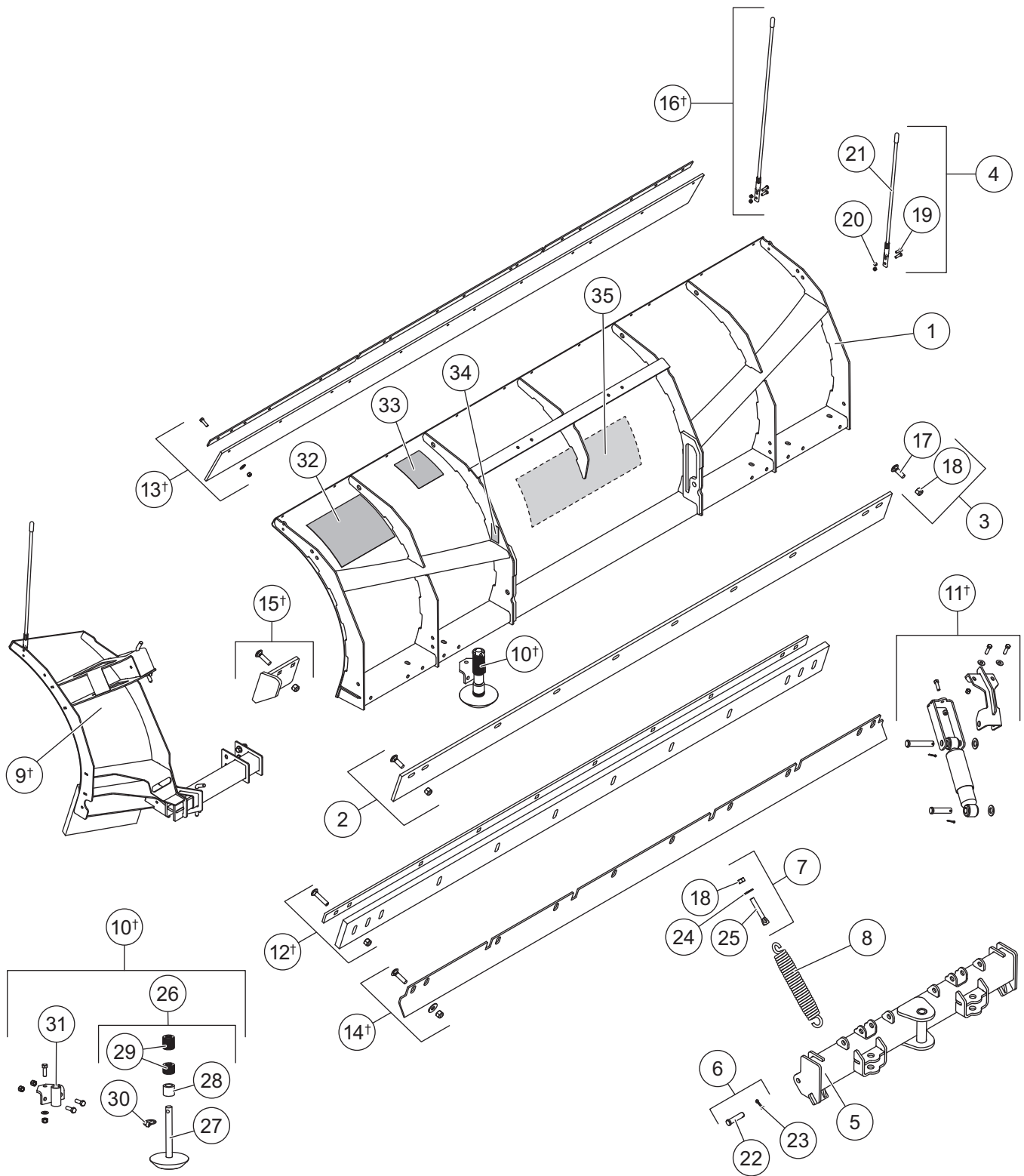


TABLE OF CONTENTS

HEAVY DUTY BLADE ASSEMBLY	4
A-FRAME ASSEMBLY	6
HEADGEAR ASSEMBLY	8
HYDRAULIC AND ELECTRICAL COMPONENTS	10
Hydraulic Unit.....	10
Lift and Angle Rams	12
Hoses and Fittings.....	12
Electrical Components.....	13
VEHICLE-SIDE HARNESS DIAGRAM	14
HEADLAMPS	15

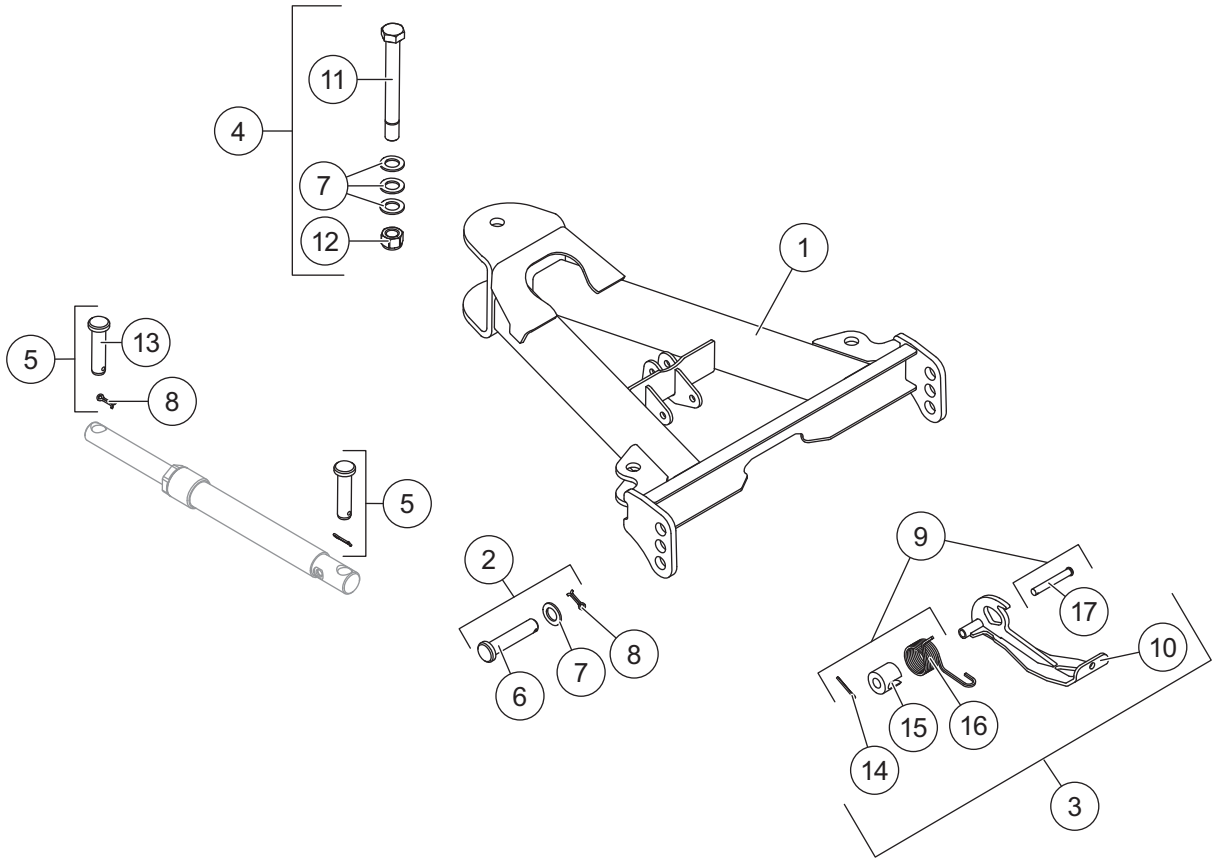
HEAVY DUTY BLADE ASSEMBLY

Blade Components



A-FRAME ASSEMBLY

A-Frame Components

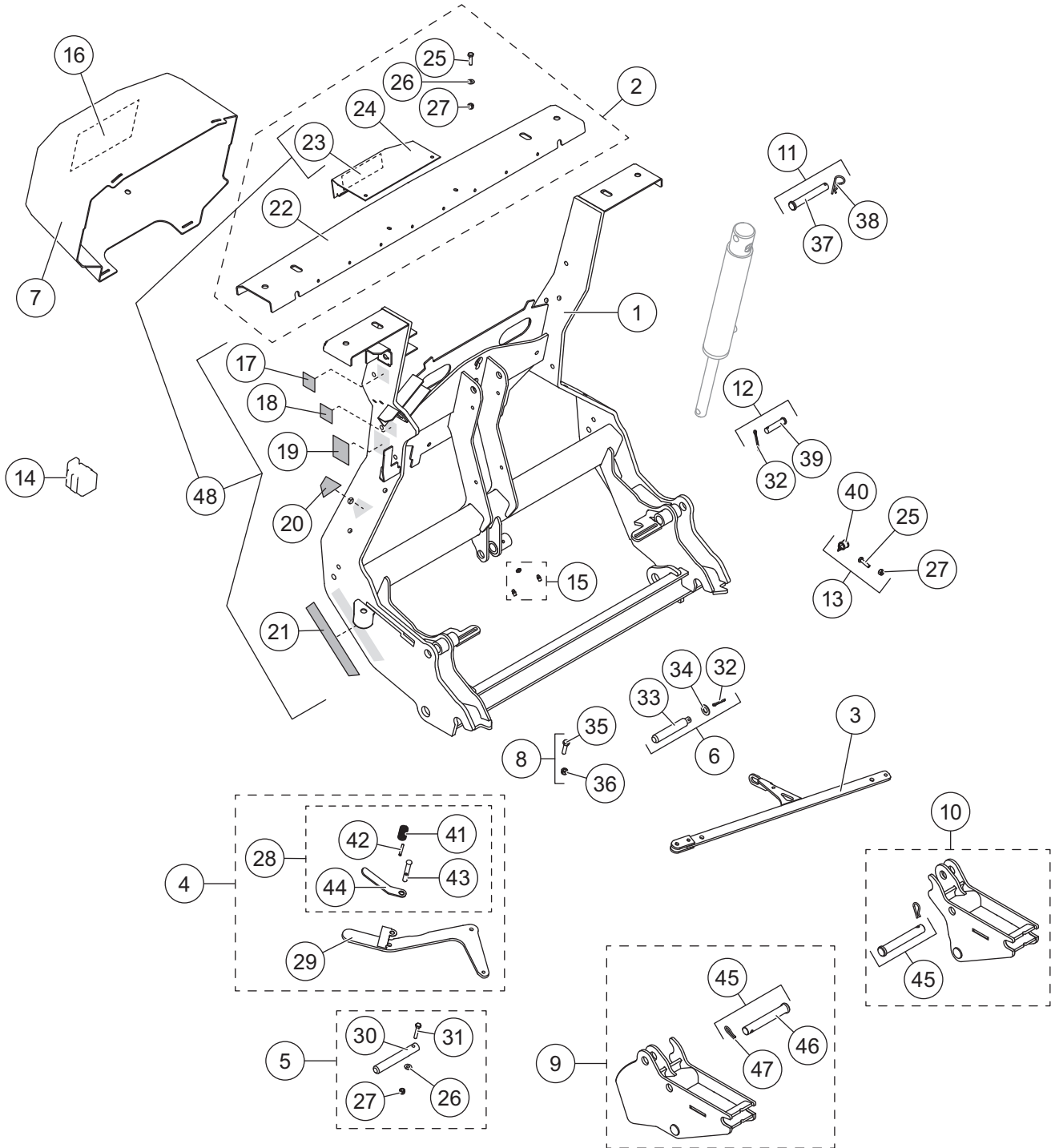


A-FRAME ASSEMBLY

A-Frame Components							
Item	Part	Qty	Description	Item	Part	Qty	Description
1	84589	1	A-Frame	4	84769	1	Pivot Bolt Kit
2	84623	2	A-Frame Pin Kit	5	57968	4	1 x 4 Clevis Pin Kit
3	84593	1	Stand Kit				
Item 2				84623 A-Frame Pin Kit			
6		1	1 x 4-3/4 Clevis Pin	8		1	1/4 x 1-1/2 Cotter Pin
7		1	1" Flat Washer Special				
Item 3				84593 Stand Kit			
9	84615	1	Stand Hardware Kit	10		1	Stand
Item 4				84769 Pivot Bolt Kit			
7		3	1" Flat Washer Special	12		1	1-8 Hex Locknut GB
11		1	1-8 x 9 Hex Cap Screw Special G5				
Item 5				57968 1/4 x 4 Clevis Pin Kit			
8		1	1/4 x 1-1/2 Cotter Pin	13		1	1 x 4 Clevis Pin
Item 9				84615 Stand Hardware Kit			
14		1	5/32 x 1-1/2 Cotter Pin	16		1	Stand Torsion Spring
15		1	Stand Spring Spacer	17		1	1/2 x 3-11/16 Clevis Pin
G = Grade							

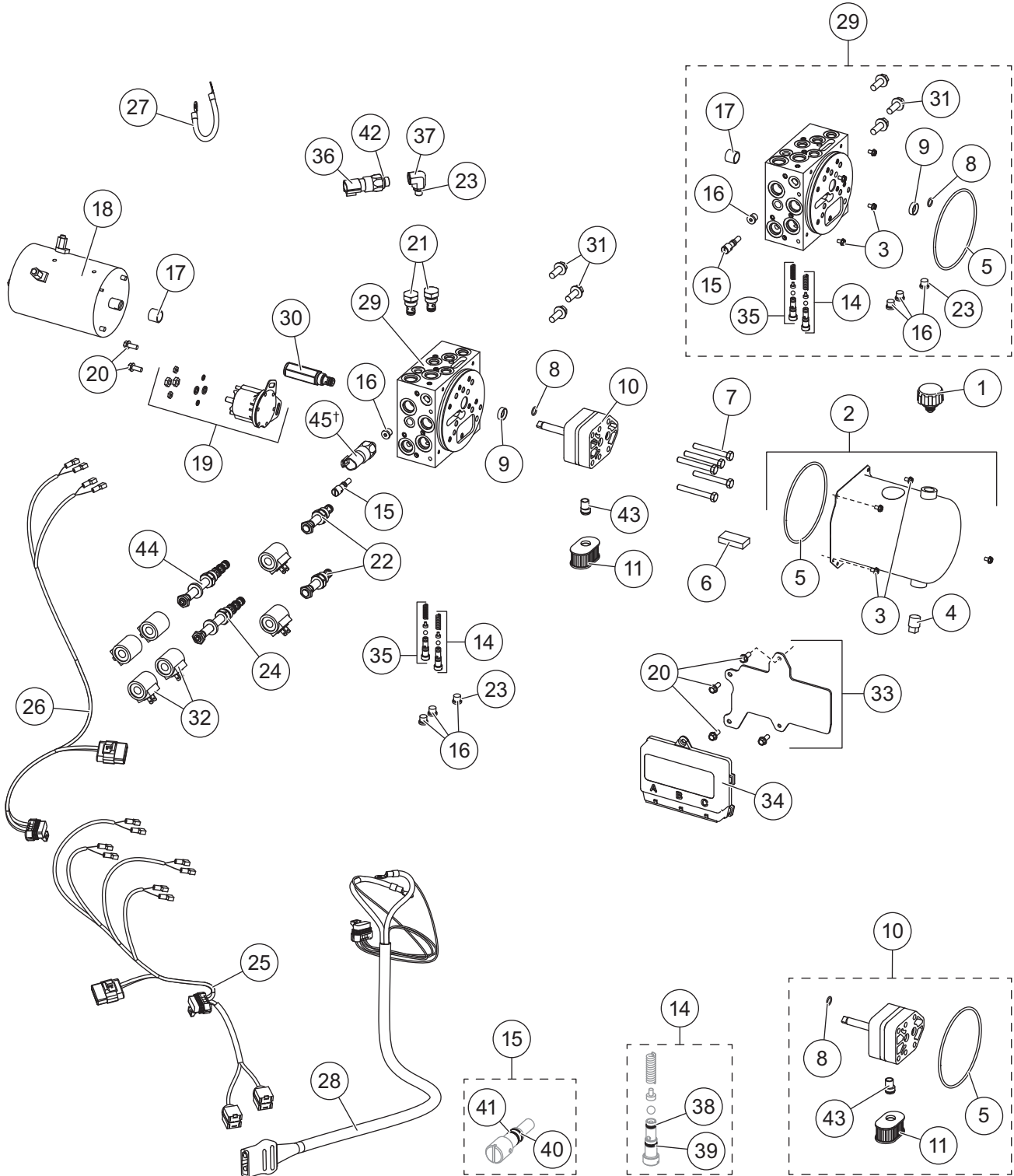
HEADGEAR ASSEMBLY

Headgear Components



HYDRAULIC AND ELECTRICAL COMPONENTS

Hydraulic Unit Components



HYDRAULIC AND ELECTRICAL COMPONENTS

52646 Hydraulic Unit							
Item	Part	Qty	Description	Item	Part	Qty	Description
1	48278	1	Breather	24	52285	1	Valve, 4-Way, 3-Position Closed Center
2	52289	1	Reservoir Kit	25	70448	1	Plow Control Harness, 4-Coil
3	66607	4	#10-24 x 5/16 Machine Screw	26	52077	1	Plow Control Harness, 2-Coil
4	92079	1	Plug, Square 3/8 NPTF	27	29071	1	Vehicle Battery Cable 8"
5	66519	1	O-Ring 2-250	28	52291	1	Snowplow Battery Cable
6	73897	1	Magnet	29	52256	1	Manifold Assembly w/o Valves HD
7	90073	5	5/16-18 x 2-1/4 Hex Cap Screw G5	30	42889	1	Relief Valve 4000 psi
8	56274	1	O-Ring -013	31	D6452	3	3/8-16 x 1 Hex Serrated Flange Screw
9*	66515	1	Pump Shaft Seal	32	52294	6	Coil
ns	52252	1	Seal Repair Tool Kit w/Seal	33	52293	1	Plate, Module
10	52288	1	Hydraulic Pump Kit	34	52292-1	1	Module, Plow Control
11	48281	1	Filter	35	52284	1	Relief Valve (1 set)
14	52282	1	Relief Valve (1 set)	36	52296	1	Pressure Switch
15	48517	1	Quill	37	52295	1	Elbow, 90° -4 M ORB/-6 F ORB
16	44344	4	Plug, Hex Socket -4 M ORB	38	55371	2	O-Ring -008
17†	56364	1	Bearing Sleeve	39	25731	2	O-Ring -010
ns	52251	1	Bearing Repair Tool Kit w/Bearing	40	48239	1	O-Ring -106
18	52281	1	Motor	41	48240	1	Back-Up Ring -106
19	52290	1	Motor Relay Kit, FLEET FLEX	42	56569	5	O-Ring -906
20	44355	6	1/4-20 x 5/8 Hex Washer-Head Thread-Rolling Screw	43	10887	1	Inlet Fitting
21	84934	2	Check Valve	44	84937	1	Valve, 4-Way, 3-Position
22	84936	2	Valve, 2-Way NC w/Rev Flow	ns		3	Fuse, 5A Mini Automotive Blade-Style (for items 25 and 26)
23	44343	5	O-Ring -904	45†	84584	1	Scrape Maxx™ Kit
O-Ring Service Kits							
-	52298	-	O-Ring Kit	-	48310	-	Seal Kit, 2-Way Valves
-	48309	-	Seal Kit, 3-Way & 4-Way Valves				
Item 2				52289 Reservoir Kit			
3	66607	4	#10-24 x 5/16 Machine Screw	5	66519	1	O-Ring 2-250
4	92079	1	Plug, Square 3/8 NPTF				
Item 29				52256 Manifold Assembly w/o Valves HD			
3	66607	4	#10-24 x 5/16 Machine Screw	16	44344	4	Plug, Hex Socket -4 M ORB
5	66519	1	O-Ring 2-250	17	56364	1	Bearing Sleeve
8	56274	1	O-Ring -013	23	44343	5	O-Ring -904
9	66515	1	Pump Shaft Seal	31	D6452	3	3/8-16 x 1 Hex Serrated Flange Screw
14	52282	1	Relief Valve (1 set)	35	52284	1	Relief Valve (1 set)
15	48517	1	Quill				
ns = not shown		M = Male		F = Female		G = Grade	

* Use 52252 tool to install.

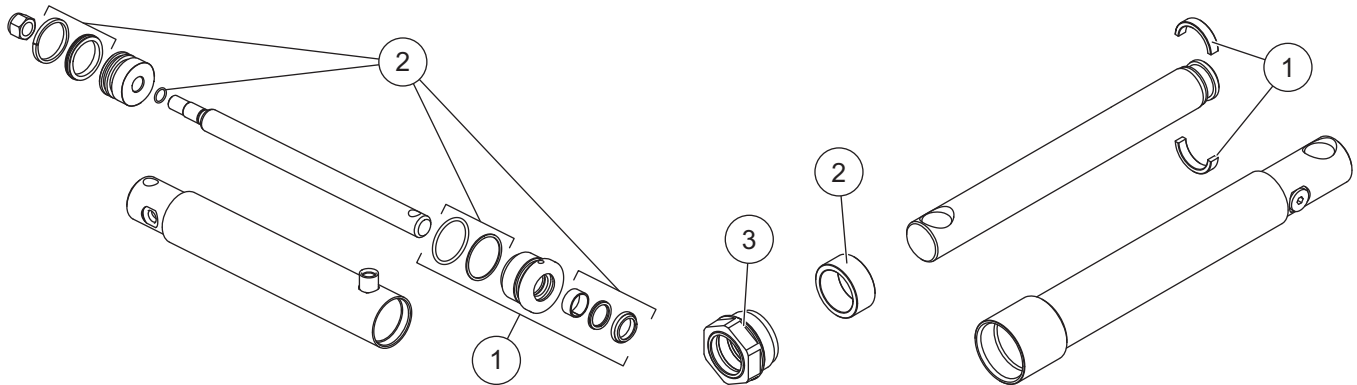
† Accessory only.

‡ Use 52251 tool to install.

Go to www.snowexproducts.com for hydraulic unit service information and specifications.

HYDRAULIC AND ELECTRICAL COMPONENTS

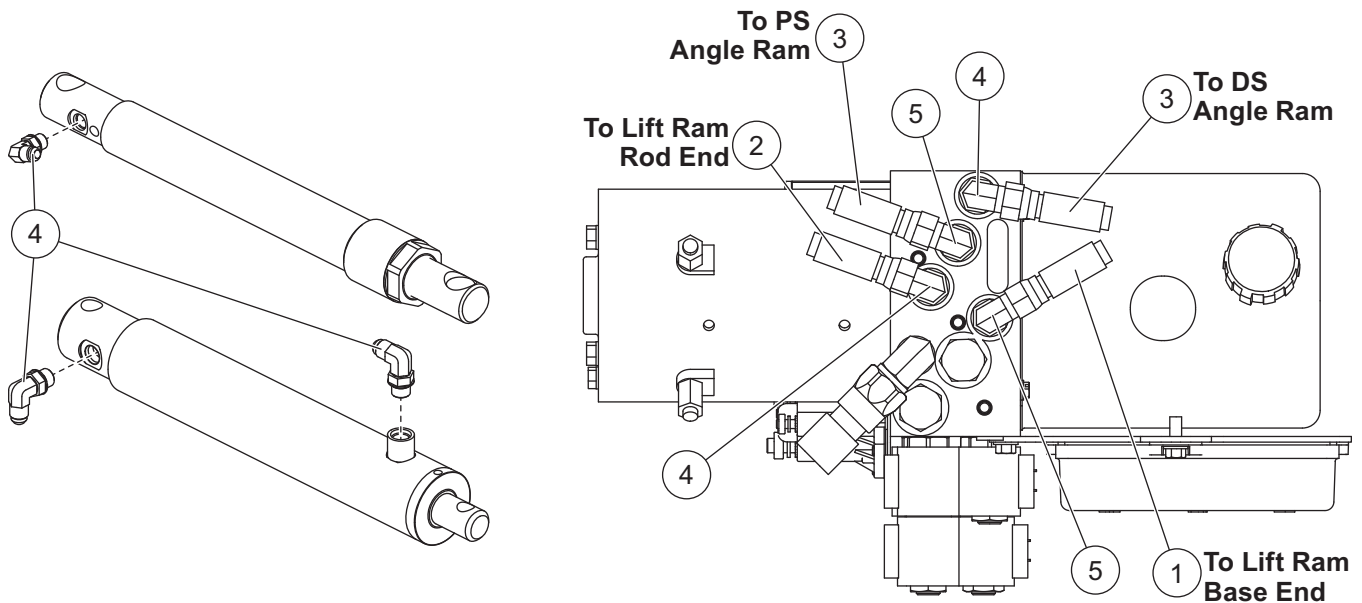
Lift and Angle Ram Components



84420 Lift Ram Assembly 2 x 9-3/4 DA			
Item	Part	Qty	Description
1	49499	1	1" Gland Assembly
2	48520	1	Seal Kit 2" DA Ram

84421 Angle Ram Assembly 1-1/2 x 12			
Item	Part	Qty	Description
1	57879	1	Split Bearing Kit
2	56537	1	Spacer
3	48985	1	Gland Nut Assembly

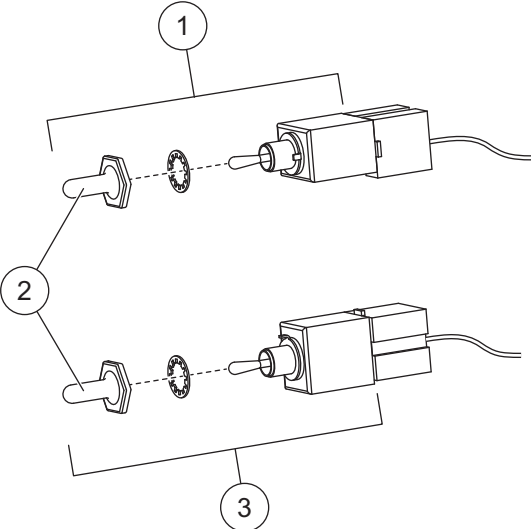
Hoses and Fittings



Hoses and Fittings							
Item	Part	Qty	Description	Item	Part	Qty	Description
1	84446	1	Hose, 1/4 x 14 w/F JIC Ends	5	40572	2	Elbow, Extra Long 90° -6 M JIC/-6 M ORB
2	84453	1	Hose, 1/4 x 20 w/F JIC Ends	ns	56823	1	Hose Wrap
3	52304	2	Hose, 3/8 x 36 w/F JIC Ends				
4	40571	6	Elbow, 90° -6 M JIC/-6 M ORB				
			F = Female			ns = not shown	M = Male

HYDRAULIC AND ELECTRICAL COMPONENTS

Electrical Components

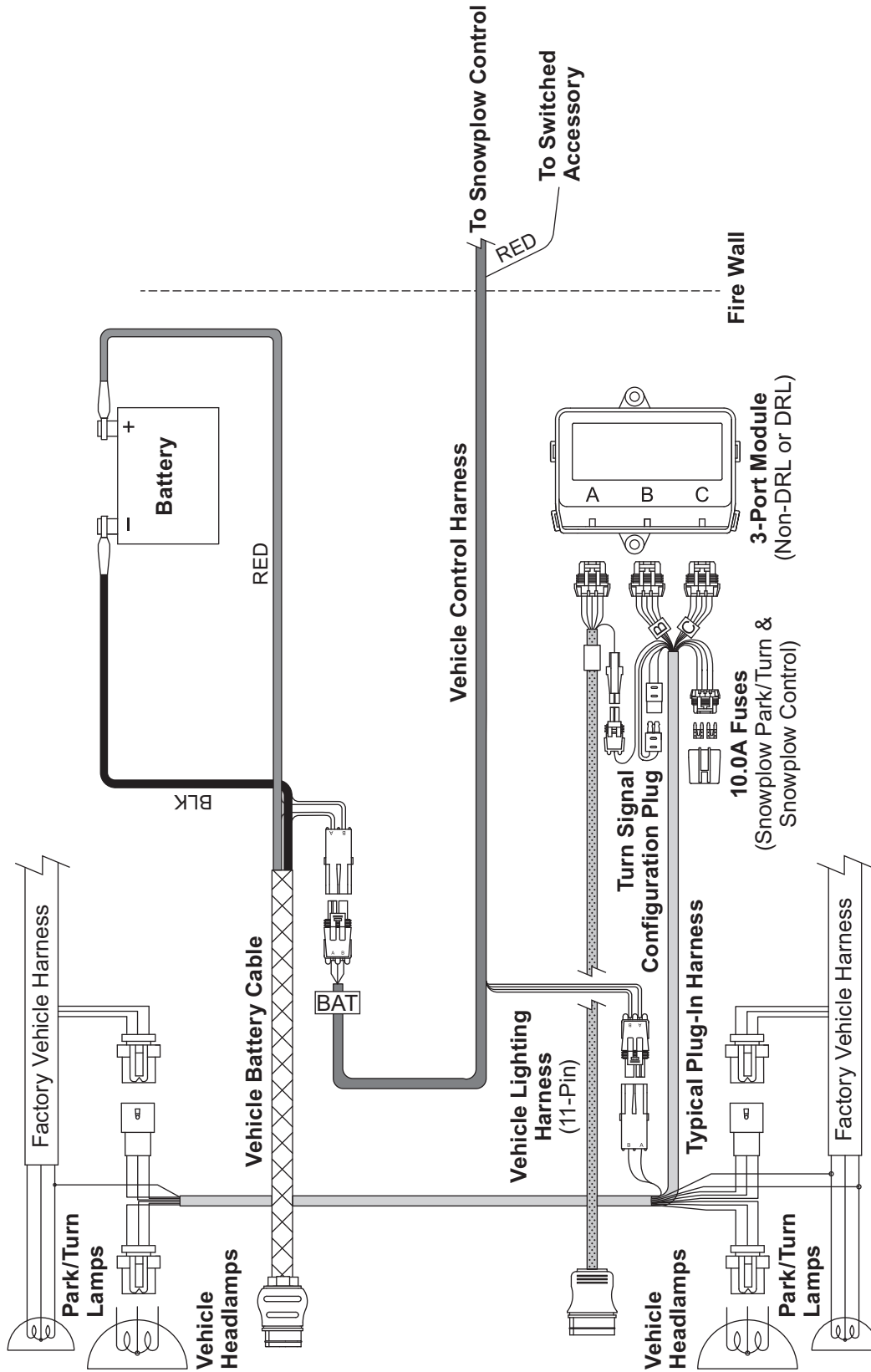


Plow-Side Electrical Components							
Item	Part	Qty	Description	Item	Part	Qty	Description
1	40575	1	Toggle Switch (MOM-ON, OFF, ON)	3	40576	1	Toggle Switch (MOM-ON, OFF, MOM-ON)
2	48259	2	Switch Boot				
Vehicle-Side Electrical Components							
*	42014	1	Vehicle Battery Cable	ns	48325	2	Plug Cover
*	28587	1	Vehicle Control Harness				
ns = not shown							

* For diagram see Vehicle-Side Harness Diagram.

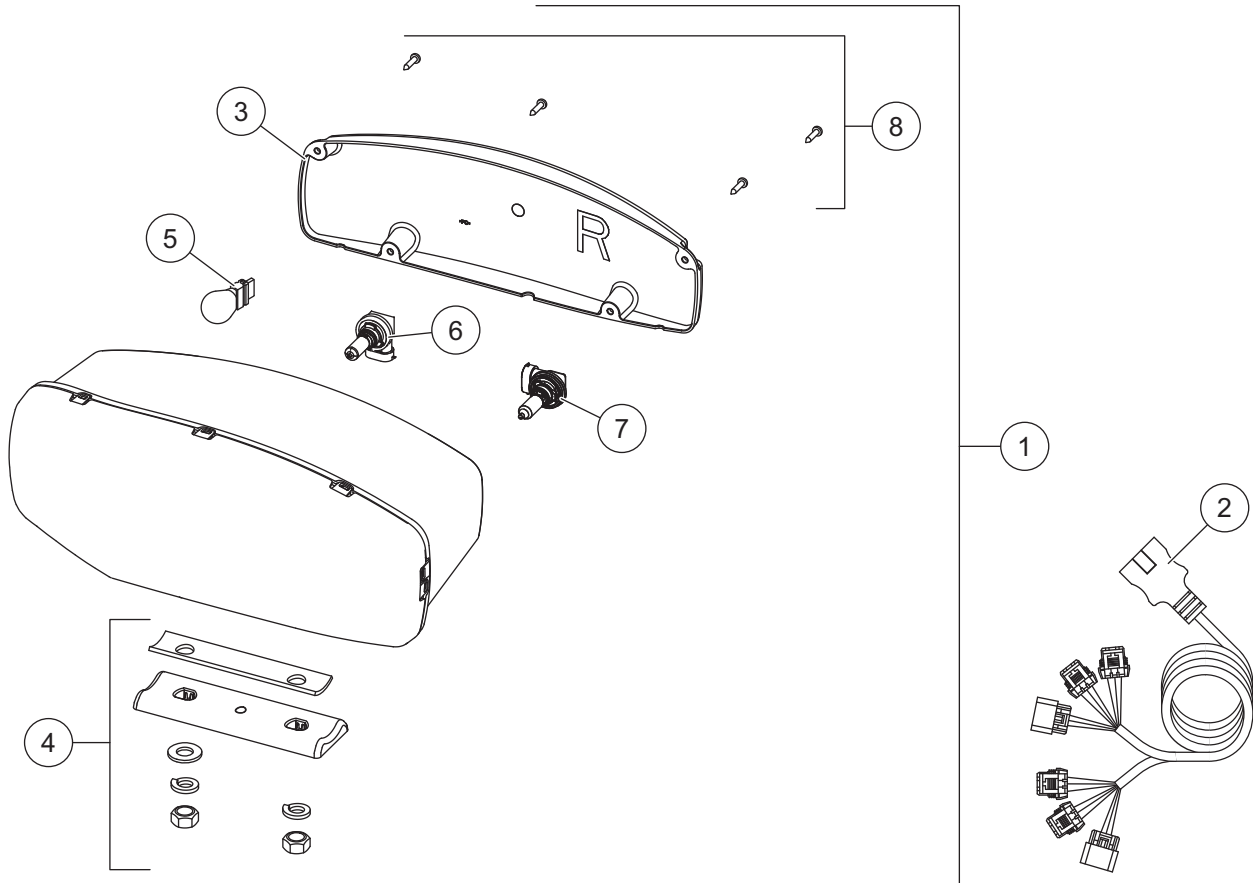
VEHICLE-SIDE HARNESS DIAGRAM

Vehicle-Side Harness Diagram



HEADLAMPS

Headlamp Components



38800 Headlamp Kit H9/H11 (Pair)							
Item	Part	Qty	Description	Item	Part	Qty	Description
1	38802	1	Headlamp Service Kit H9/H11 PS	2	38807	1	Harness Service Kit H9/H11
ns	38801	1	Headlamp Service Kit H9/H11 DS				
Item 1	38801/38802 Headlamp Service Kit H9/H11 PS/DS						
3	38803	1	Rear Cover Kit H9/H11 PS	6	38811	1	H11 Headlamp Bulb Service Kit
ns	38812	1	Rear Cover Kit H9/H11 DS	7	38809	1	H9 Headlamp Bulb Service Kit
4	38804	1	Mounting Hardware Kit H9/H11	8	38808	1	Cover Screws Service Kit H9/H11 (pkg of 4)
5		1	Park/Turn Bulb (Trade No. 4157NAK)				

ns = not shown



TrynEx International, LLC
531 Ajax Drive
Madison Heights, MI 48071-2429
www.snowexproducts.com

 A DIVISION OF DOUGLAS DYNAMICS, LLC

Copyright © 2018 Douglas Dynamics, LLC. All rights reserved. This material may not be reproduced or copied, in whole or in part, in any printed, mechanical, electronic, film, or other distribution and storage media, without the written consent of TrynEx International, LLC. Authorization to photocopy items for internal or personal use by TrynEx International outlets or snowplow owner is granted.

TrynEx International reserves the right under its product improvement policy to change construction or design details and furnish equipment when so altered without reference to illustrations or specifications used. TrynEx International or the vehicle manufacturer may require or recommend optional equipment for snow removal. Do not exceed vehicle ratings with a snowplow. TrynEx International offers a limited warranty for all snowplows and accessories. See separately printed page for this important information. The following are registered (®) or unregistered (™) trademarks of Douglas Dynamics, LLC: Automatix®, Scrape Maxx™, SECURITY GUARD™, SnowEx®.

Printed in U.S.A.