



78320, 78323, 78326
Hopper Spreader Components

ICE CHASER™ Hopper Spreader
24V DC

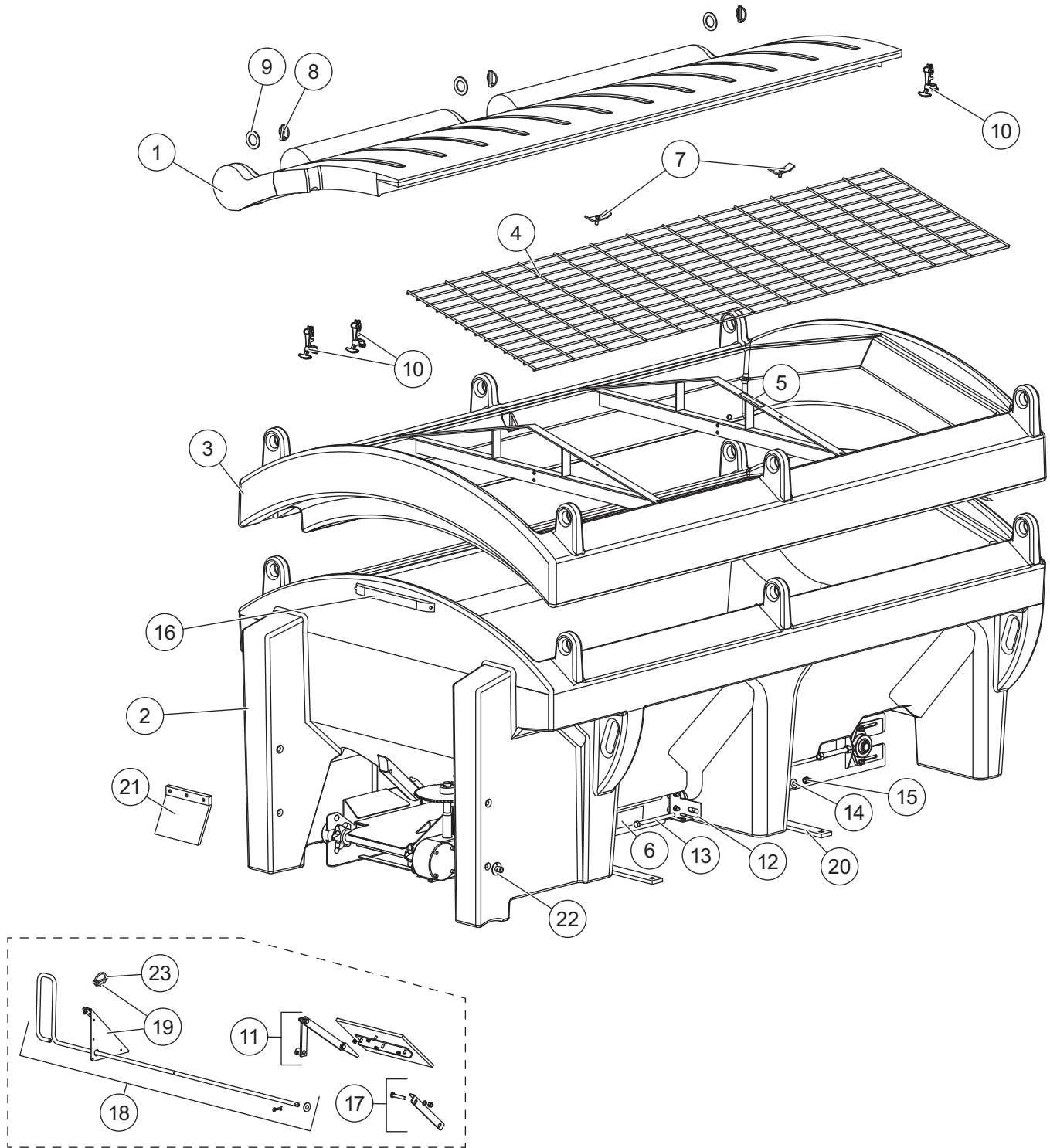
Parts List



This Parts List is for BLIZZARD® ICE CHASER hopper spreader
with serial numbers beginning with 120927 and higher.

ICE CHASER™ HOPPER SPREADER

HOPPER COMPONENTS

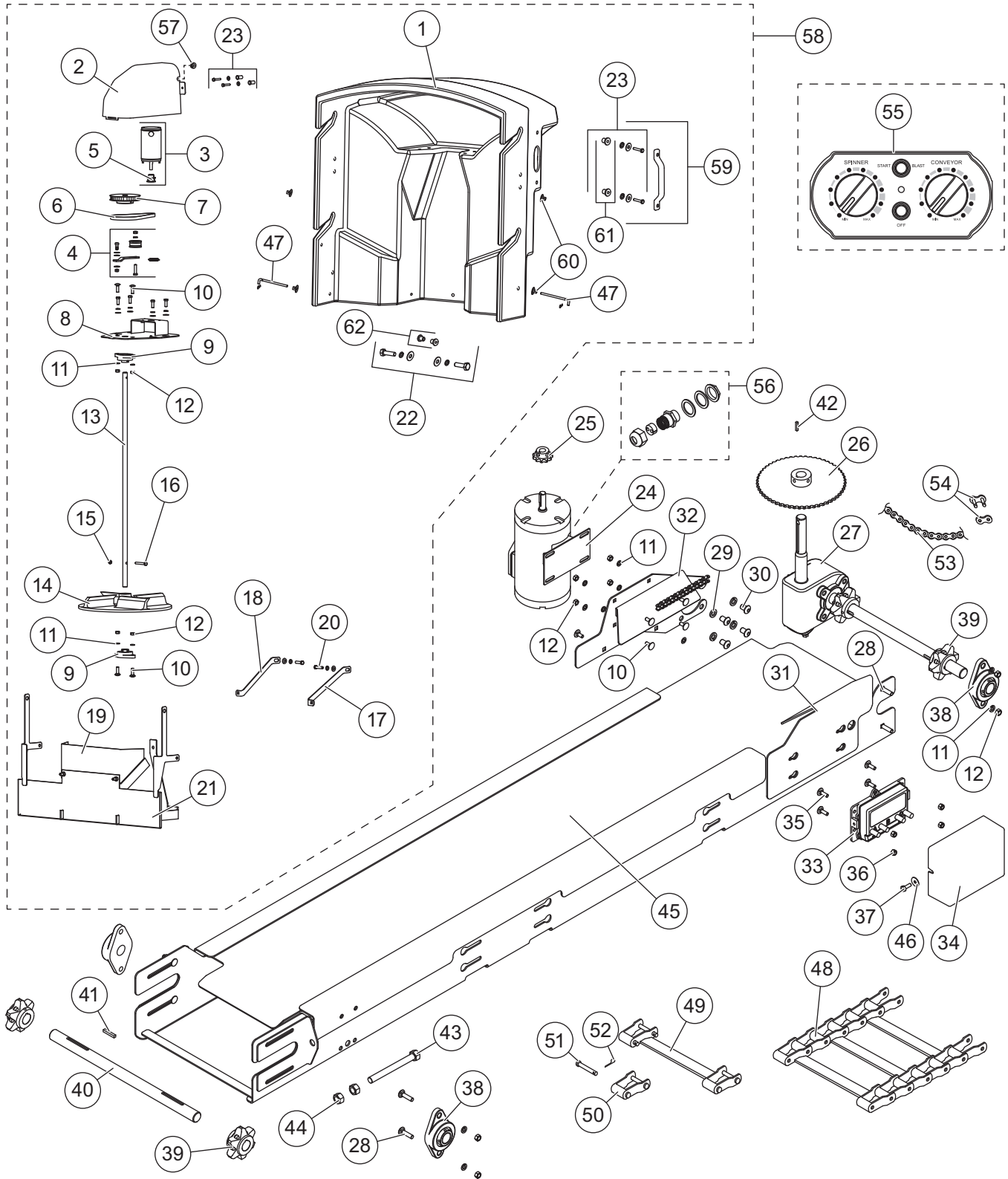


ICE CHASER™ HOPPER SPREADER

Hopper Components							
Item	Part	Qty	Description	Item	Part	Qty	Description
1	78018	1	Poly Hopper Lid, 7' (DS)	ns	78133	3	Hopper Mounting Bracket (DS)
	78019	1	Poly Hopper Lid, 8' (DS)	13	78203	4	1/2-13 x 7-1/2 Hex Cap Screw SS
ns	78020	1	Poly Hopper Lid, 7' (PS)	14	68109	4	1/2 Flat Washer SS
	78021	1	Poly Hopper Lid, 8' (PS)	15	95834	4	1/2-13 Hex Locknut SS
2	78011	1	Poly Hopper Body, 7'	ns	90375	8	3/8-16 x 1 Carriage Bolt SS
	78014	1	Poly Hopper Body, 8'	ns	91282	8	3/8 Lock Washer SS
3	78228	1	Poly Hopper, 8' Collar	ns	91431	8	3/8-16 Hex Nut SS
4	78115	2	Top Screen, 7' (Painted)	16	78048	1	CHMSL Kit (w/fasteners)
	78116	2	Top Screen, 8' (Painted)	17	78083	2	Feed Gate Guide (1) w/Fasteners Kit (incl. 94495 [2], 78047, 91350 [2])
5	78279	2	Adjustable Top Screen Brace w/Label (67272) Poly Hopper	18	78094	1	Feed Gate Handle Kit (incl. item 14, 78029, 90601 [2])
6	68584	2	Label, Warning/Caution – Spreaders	19	78098	1	Feed Gate Detent Bracket (incl. item 23, 78028 w/fasteners)
7	96038	4	Wing Bolt	ns	66438	4	3/8-16 x 1-1/2 Hex Cap Screw
8	93010	6	Linchpin	20	78109	2	Mounting Bar (incl. items 14 [2], 15 [2], 78056, 90380 [2])
9	78097	6	Washer 2.5 OD x 1.53 ID SS	ns	78242	1	Poly Hopper Collar Hardware Kit
10	65224	3	Strap, Rubber Hold-Down Assembly	21	78177	1	Sprocket Shield Kit
ns	61246	1	Cable Boot	22	78262	2	Chute Attachment Sleeve Kit
ns	8289	1	Boot Bracket	23	93042	1	3/16 Linchpin
ns	96375	1	3/8 x 1 Sheet Metal Screw				
11	78118	1	Feed Gate Assembly Kit Poly Hopper (incl. 78093, 90601)				
12	78119	3	Hopper Mounting Bracket (PS)				
ns = not shown				SS = Stainless Steel			

ICE CHASER™ HOPPER SPREADER

DRIVE COMPONENTS



ICE CHASER™ HOPPER SPREADER

Drive Components							
Item	Part	Qty	Description	Item	Part	Qty	Description
1	78124	1	Chute Cover	40	94351	1	Idler Shaft
2	78287	1	Chute Motor Cover	41	95076	4	0.25 x 2.75 Machine Key
3	79063	1	Motor 24V DC 1/3 hp (incl. item 5)	42	65174	1	0.25 x 1.5 Machine Key
4	78298	1	Idler Kit	43	65609	2	5/8-11 x 6 Take-Up Bolt SS
5	93101	1	10-Tooth Cogged Belt Pulley	44	91435	4	5/8-11 Hex Nut
6	78285	1	Gear Belt	45	78192	1	Sill, 7'
7	76796	1	40-Tooth Cogged Belt Pulley 3/4 Bore		78193	1	Sill, 8'
8	78297	1	Chute Motor Base Plate	46	67155	2	5/16 Flat Washer SS
9	96167	2	Pillow Block Bearing 3/4 Bore	47	78031	1	Chute Attachment Pin Bag (pkg of 2)
10	90375	28	3/8-16 x 1 Carriage Bolt SS	48	78076	1	Pintle Chain, 99 Links
11	91282	18	3/8 Lock Washer SS		94898	1	Pintle Chain, 108 Links
12	91431	7	3/8-16 Hex Nut SS	49	68492	AR	Conveyor Repair Bar w/Pins
13	78283	1	Spinner Shaft	50	68475	AR	Conveyor Repair Link w/Pins
14	94424	1	Spinner Poly	51	41743	AR	Conveyor Chain Pin, w/Cotter
15	91430	1	5/16-18 Hex Nut SS	52	91897	AR	3/32 x 1/2 Cotter Pin
16	94495	1	5/16-18 x 2-1/4 Hex Cap Screw SS	53	78075	1	#40 Chain w/Master Link
17	78301	1	Brace (DS)	54	95894	AR	#40 Chain Master Link
18	78302	1	Brace (PS)	55	79039	1	Cab Control w/Adapter
19	78294	1	Deflector	56	78201	1	Seal Kit
20	90376	5	3/8-16 x 3/4 Hex Cap Screw SS	57	66130	1	Grommet
21	78130	1	Spinner Guard	58	79060	1	Full Chute Assembly
22	78268	1	3/8 Well Nut Fastener Kit	59	78247	2	Chute Handle Kit
23	78270	1	1/4 Well Nut Fastener Kit	60	78262	4	Chute Attachment Sleeve Kit
24	79065	1	Motor 24V DC 1/2 hp	61	78269	1	1/4 Well Nut (pkg of 2)
25	95777	1	Sprocket, #40 x 11T x 5/8	62	78267	1	3/8 Well Nut (pkg of 2)
26	78057	1	Sprocket, #40 x 55T x 1	ns	78199	1	CHMSL Harness Kit
27	95567	1	Gear Case 20:1	ns	29217	1	Vehicle Power Cable
28	68345	10	3/8-16 x 1-1/2 Carriage Bolt SS	ns	48808	1	Spreader Power Cable
29	91284	4	1/2 Spring Lock Washer SS	ns	28586	1	Vehicle-Side Control Harness
30	68360	4	1/2-13 x 3/4 Button Cap Screw	ns	78103	1	Wiring – Module to Motor
31	78131	1	Chain Guard (DS Rear)	ns	78104	1	Wiring – Module to Spinner Connector
32	78132	1	Chain Guard (PS Rear)	ns	78105	1	Wiring – Spinner Connector to Spinner Motor
33	79041	1	Control Module – Dual Motor				
34	78108	1	Module Cover	ns	95836	1	Fuse, 100A
35	90556	4	5/16-18 x 1 Carriage Bolt	ns	95837	1	Fuse Holder
36	91350	4	5/16-18 Hex Locknut GB SS	ns	22511K	1	22" Battery Cable
37	90381	2	1/4-20 x 3/4 Hex Cap Screw SS	ns	78246	1	Control Bracket Kit
38	94536	3	1-1/8 Bearing, 2-Bolt Flange	ns	61548K	1	Plug Cover Kit
39	65909	4	Drive Sprocket Machining 6T	ns	78266	1	Chain Wiper Kit
Accessories							
ns	78150	1	Inverted V Kit, 7' Models	ns	78120	1	Inverted V Kit, 8' Models
ns = not shown		SS = Stainless Steel		AR = As Required		G = Grade	

ICE CHASER™ HOPPER SPREADER

Copyright © 2019 Douglas Dynamics, LLC. All rights reserved. This material may not be reproduced or copied, in whole or in part, in any printed, mechanical, electronic, film, or other distribution and storage media, without the written consent of Blizzard. Authorization to photocopy items for internal or personal use by Blizzard outlets or spreader owner is granted.

Blizzard reserves the right under its product improvement policy to change construction or design details and furnish equipment when so altered without reference to illustrations or specifications used. Blizzard or the vehicle manufacturer may require or recommend optional equipment for spreaders. Do not exceed vehicle ratings with a spreader. Blizzard offers a limited warranty for all spreaders and accessories. See separately printed page for this important information. The following are registered (®) or unregistered (™) trademarks of Douglas Dynamics, LLC: BLIZZARD®, ICE CHASER™.

Printed in U.S.A.
