



Hopper and Drive Components

Striker™ Hopper Spreader
with Electric Motors

#99030, 99031, 99035, 99039

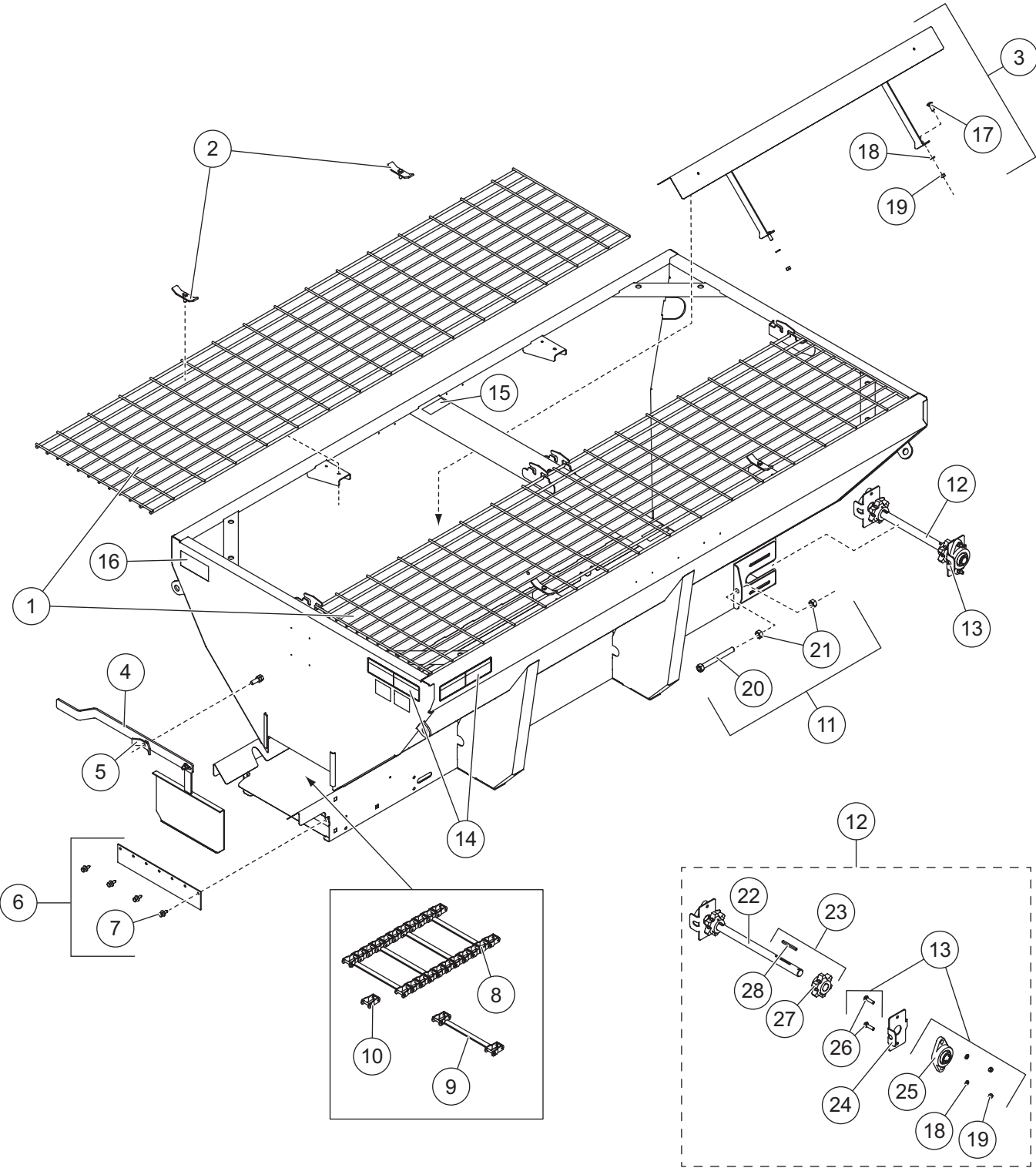
Parts List



This Parts List is for WESTERN® Striker Hopper Spreaders with serial numbers beginning with 150515 through 170628.

Striker™ HOPPER SPREADER

HOPPER COMPONENTS



Striker™ HOPPER SPREADER

Hopper Components							
Item	Part	Qty	Description	Item	Part	Qty	Description
1	99515	2	Top Screen – 7'	8	99079	1	Rivet Kit, Steel Hopper Wiper (pkg of 4)
	99516	2	Top Screen – 8'	8	68474	1	Pintle Chain (123 Links) 9' Hopper
	99517	2	Top Screen – 9' Narrow (3.0 yd ³)		94898	1	Pintle Chain (108 Links) 7' & 8' Hoppers
	99518	2	Top Screen – 9' Wide (4.5 yd ³)	9	68492	1	Conveyor Repair Bar w/Pins & Cotters
2	96038	4	Wing Bolt, Top Screen	10	68475	1	Conveyor Repair Link w/Pins & Cotters
ns	99777	2	Rubber Grip, Wing Bolt (pkg of 2)	11	99073	2	Tensioner Bolt Kit
3	99482	1	Inverted V Kit – 7' & 8' Hoppers	12	99480	1	Idler Shaft Assembly Kit
ns	99119	1	Inverted V Kit – 9' Hopper	13	94953	2	Spreader Bearing Kit
4	99083	1	Feed Gate Assembly w/Wing Nut	14	68584	2	Label – Warning/Caution, Spreaders
ns	99523	1	Rubber Grip, Feed Gate Handle	15	67272	4	Label – Caution, Do Not Lift
5	65218	1	1/2-13 Wing Nut G5	16	11100	1	Label – Warning, Rear Camera
6	78266	1	Wiper Replacement Kit	ns	68790	1	Ratchet Straps Kit (pkg of 4)
Item 3				99482 & 99119 Inverted V Kits			
17		4*	3/8-16 x 1 Carriage Bolt SS	19		8†	3/8-16 Hex Nut SS
18		8†	3/8 Lock Washer SS				
Item 11				99073 Tensioner Bolt Kit			
20		1	5/8-11 x 6 Take-Up Bolt	21		2	5/8-11 Hex Nut
Item 12				99480 Idler Shaft Assembly Kit			
13	94953	2	Spreader Bearing Kit	23	99479	2	6-Tooth Sprocket
22	94351	1	Idler Shaft	24	99765	2	Bearing Alignment Plate
Item 13				94953 Spreader Bearing Kit			
18		2	3/8 Lock Washer SS	25	94536	1	Bearing 1.125 ID 2-Bolt Flange
19		2	3/8-16 Hex Nut SS	26		2	3/8-16 x 1-1/2 Carriage Bolt SS
Item 23				99479 6-Tooth Sprocket			
27		1	Drive Sprocket 6T	28	96076	1	1/4 x 2-3/4 Machine Key
			SS = Stainless Steel				ns = not shown
							G = Grade

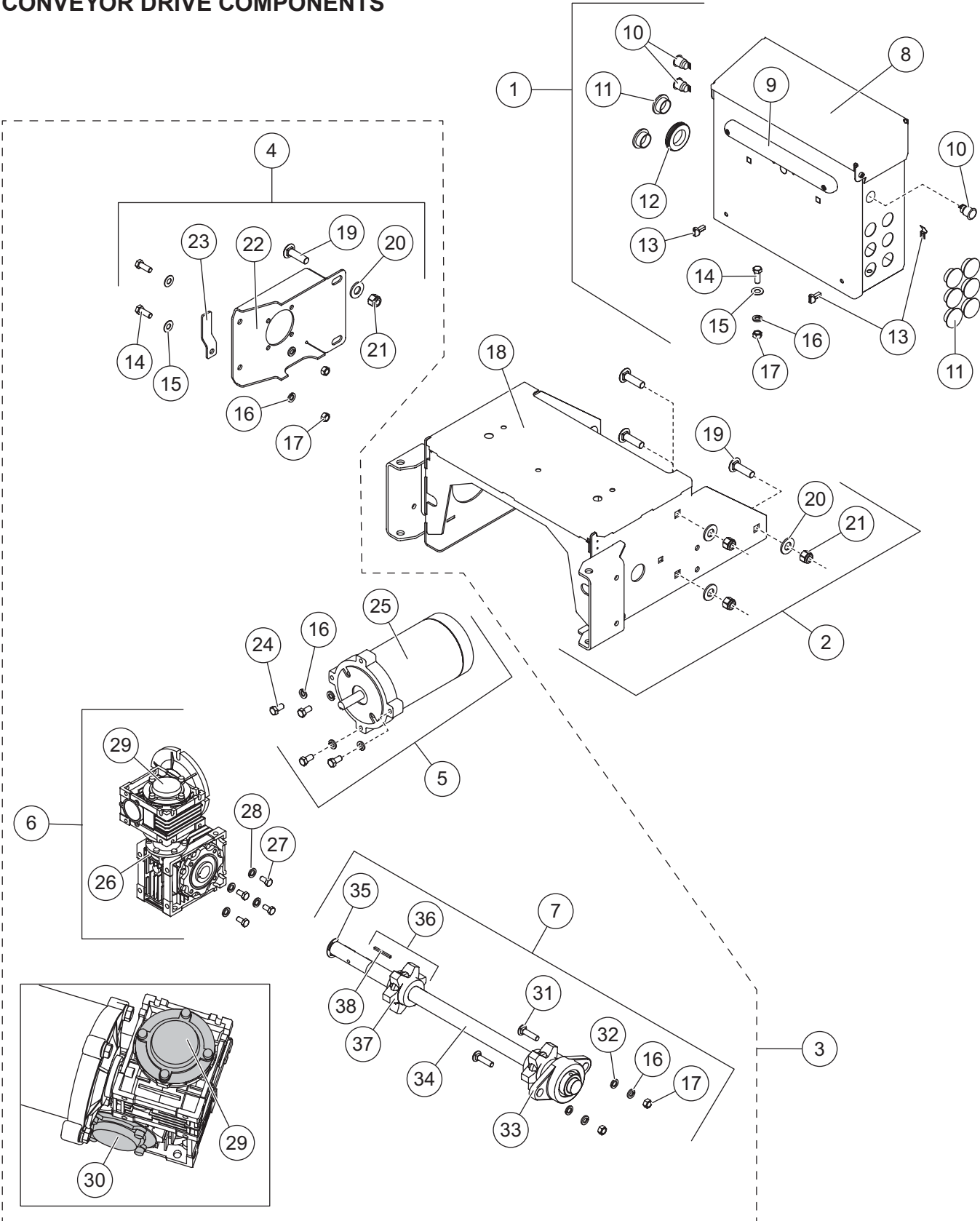
* Qty 6 for 9' hopper.

† Qty 10 for 9' hopper.

Labels – Striker & WESTERN® Logos							
Item	Part	Qty	Description	Application			
				7' (1.5 yd ³)	8' (2.0 yd ³)	9' (3.0 yd ³)	9' (4.5 yd ³)
ns	96997	2	Side Logo – Striker, Small	■	■		■
ns	96999	2	Side Logo – Striker, Large			■	
ns	96996	1	Rear Logo – WESTERN, Small	■	■		
ns	96998	1	Rear Logo – WESTERN, Large			■	■
ns = not shown							

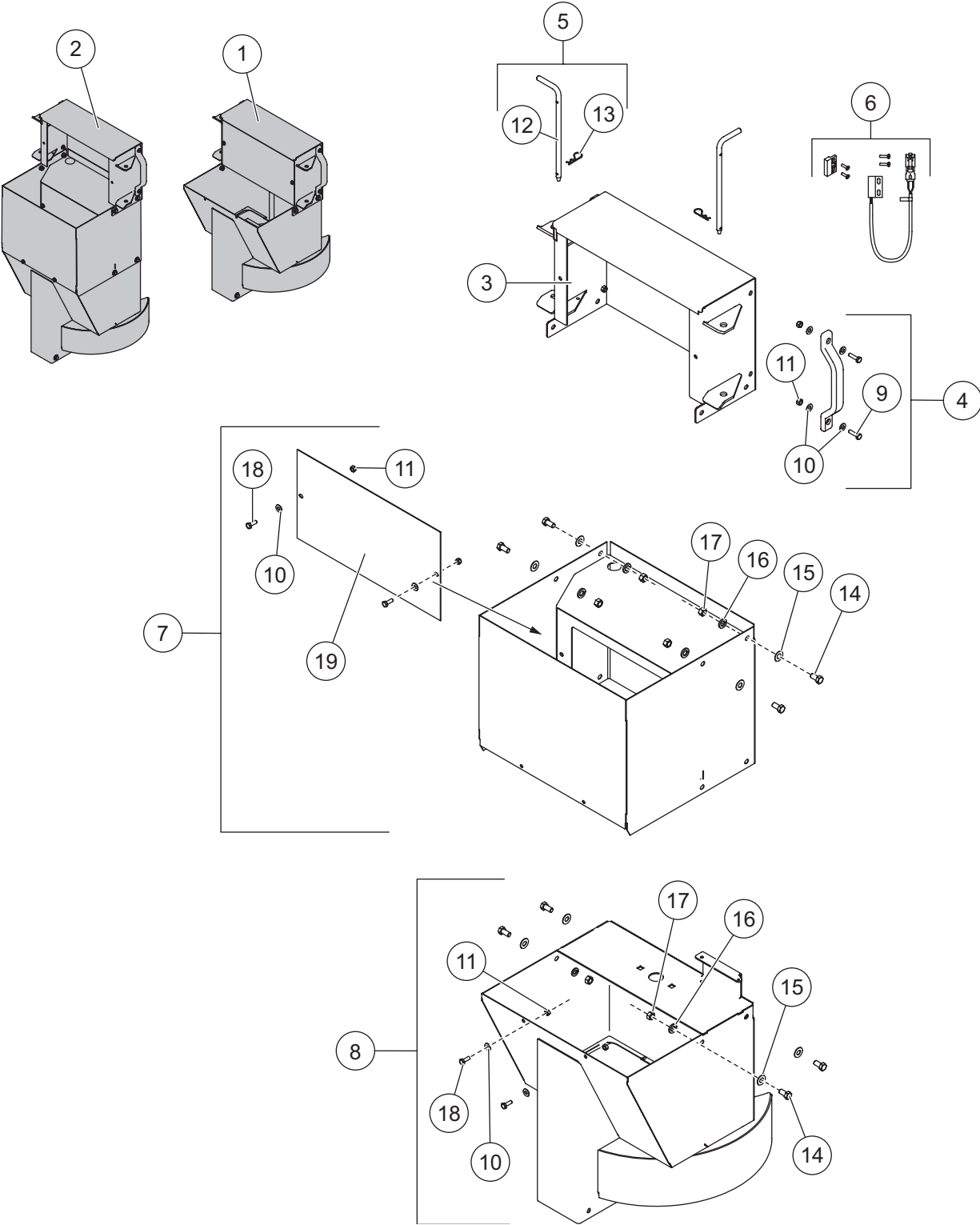
Striker™ HOPPER SPREADER

CONVEYOR DRIVE COMPONENTS



Striker™ HOPPER SPREADER

CHUTE ASSEMBLY



Striker™ HOPPER SPREADER

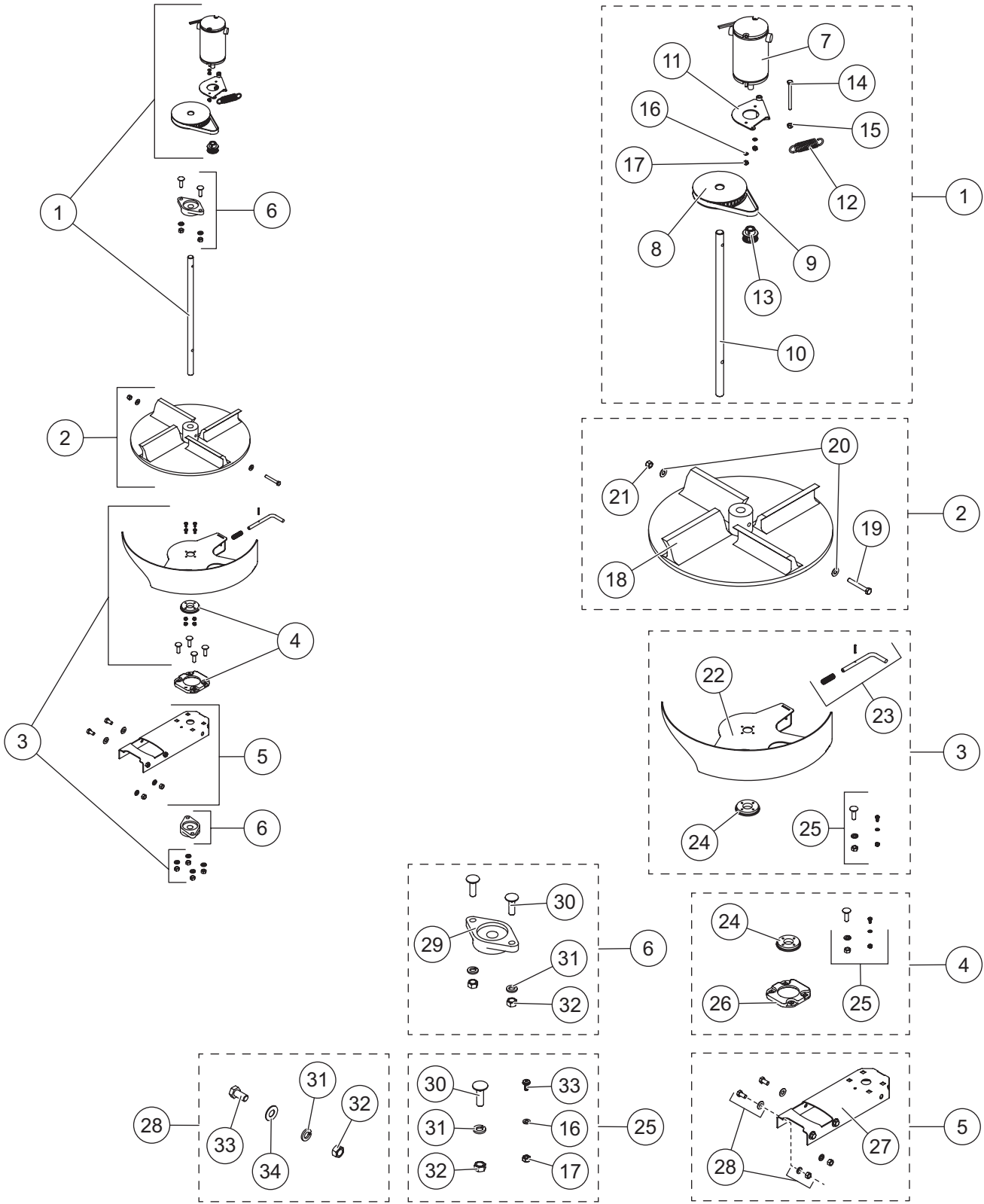
Chute Assembly							
Item	Part	Qty	Description	Item	Part	Qty	Description
1	99132*	1	Short Chute Assembly – Complete	5	99613	1	Chute Attachment Kit
2	99096*	1	Long Chute Assembly – Complete	6	99568	1	Magnetic Chute Interlock Kit
3	96386	1	Chute Upper Section	7	99139†	1	Chute Middle Section Kit
4	99098	2	Handle Kit	8	99137	1	Chute Lower Section Kit
Item 4				99098 Handle Kit			
		2	1/4-20 x 1-1/4 Hex Cap Screw SS	11		2	1/4-20 Locknut GB SS
		4	1/4 Flat Washer SS				
Item 5				99613 Chute Attachment Kit			
		2	3/8 x 8-1/4 Chute Pin	13		2	3/32 x 2-1/4 Cotter Pin
Item 7				99139† Chute Middle Section Kit			
–		1	Chute Extension, Electric	16		4	3/8 Lock Washer SS
10		2	1/4 Flat Washer SS	17		4	3/8-16 Hex Nut SS
11		2	1/4-20 Locknut GB SS	18		2	1/4-20 x 3/4 Hex Cap Screw
14		4	3/8-16 x 3/4 Hex Cap Screw SS	19	99207	1	Chute Motor Cover
15		4	3/8 Flat Washer SS				
Item 8				99137 Chute Lower Section Kit			
–		1	Lower Chute Body	15		4	3/8 Flat Washer SS
10		2	1/4 Flat Washer SS	16		4	3/8 Lock Washer SS
11		2	1/4-20 Locknut GB SS	17		4	3/8-16 Hex Nut SS
14		4	3/8-16 x 3/4 Hex Cap Screw SS	18		2	1/4-20 x 3/4 Hex Cap Screw SS
SS = Stainless Steel				G = Grade			

* Includes spinner and shutter assemblies shown on following page.

† Not used in the 99132 short chute assembly.

Striker™ HOPPER SPREADER

SPINNER DRIVE & SHUTTER ASSEMBLIES

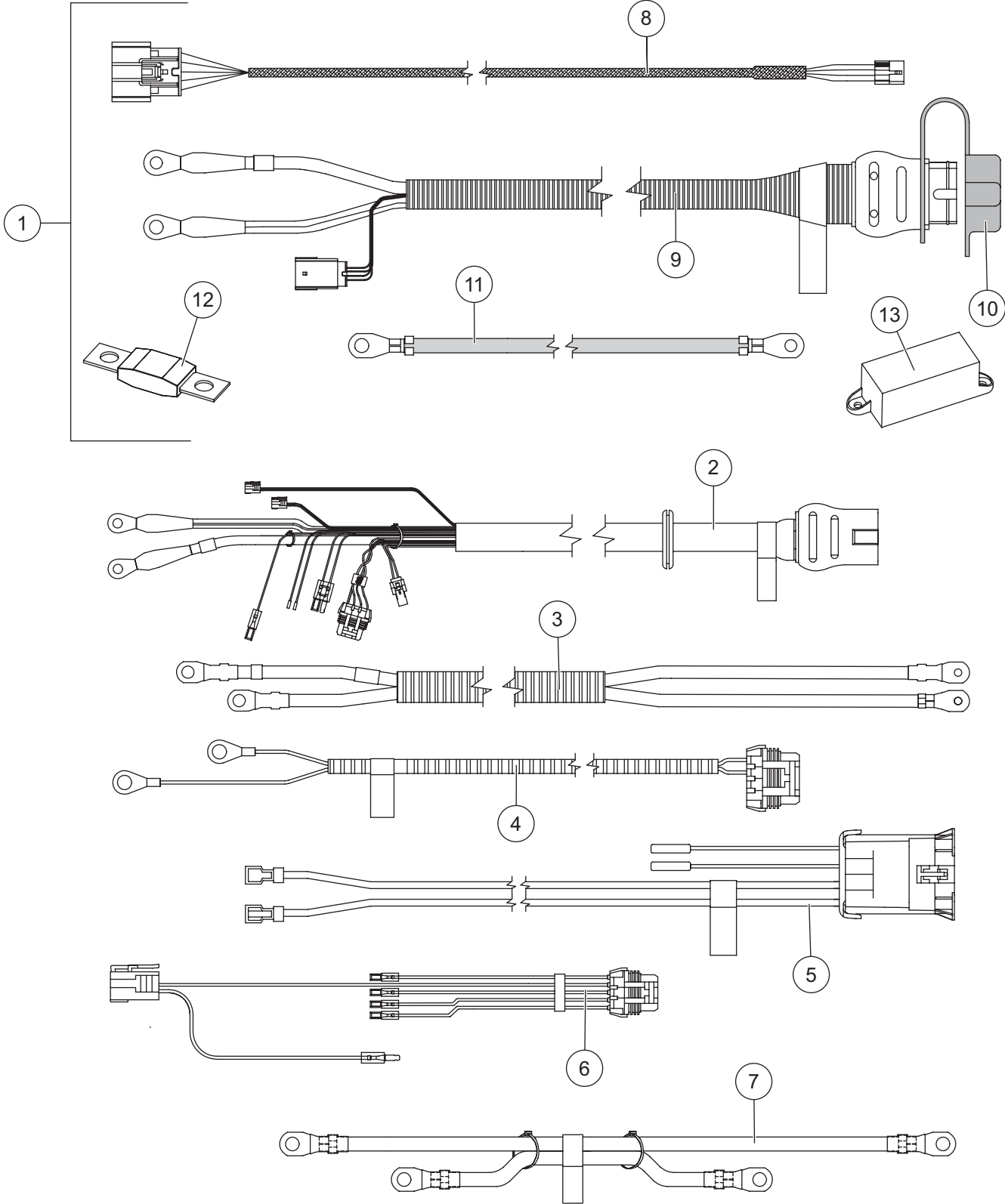


Striker™ HOPPER SPREADER

Spinner Drive & Shutter Assemblies							
Item	Part	Qty	Description	Item	Part	Qty	Description
1	96506	1	Chute Drive Service Kit	4	96504	1	Chute Shutter Bearing Kit
2	99485	1	Poly Spinner Kit	5	96392	1	Shutter Bearing Support Kit
3	99135	1	Shutter Replacement Kit	6	96501	2	Bearing Kit
Item 1				96506 Chute Drive Service Kit			
7	93100	1	Motor 12V 1/3-hp	13	93101	1	10-Tooth Pulley, Drive Gear
8	76796	1	40-Tooth Cogged Belt Pulley 3/4 Bore	ns	99614	1	Bolt Bag, Chute Service Kit
9	M1355	1	Spinner Drive Belt	14		1	1/4-20 x 3 Hex Cap Screw SS
10	99228	1	Spinner Shaft	15		1	1/4-20 Locknut GB SS
11		1	Spinner Motor Tensioner Plate	16		2	#10 Flat Washer SS
12	99776	1	Spinner Motor Spring SS	17		2	#10-32 Locknut GB SS
Item 2				99485 Poly Spinner Kit			
18		1	Spinner, Black Poly – CW Rotation	20		2	5/16 Flat Washer SS
19		1	5/16-18 x 2-1/4 Hex Cap Screw SS	21		1	5/16-18 Locknut GB SS
Item 3				99135 Shutter Replacement Kit			
22		1	Chute Shutter	24		1	Chute Shutter Bearing – Inner
23	96505	1	Shutter Lock Pin Kit	25	99615	1	Bolt Bag – Shutter
Item 4				96504 Chute Shutter Bearing Kit			
24		1	Chute Shutter Bearing – Inner	26		1	Chute Shutter Bearing – Outer
25	99615	1	Bolt Bag – Shutter				
Item 5				96392 Shutter Bearing Support Kit			
27		1	Chute Lower Bearing Support	28	96529	1	Bolt Bag
Item 6				96501 Bearing Kit			
29	96167	1	Pillow Block Bearing 3/4 Bore	31		4	3/8 Lock Washer SS
30		4	3/8-16 x 1-1/4 Carriage Bolt	32		4	3/8-16 Hex Nut SS
Item 25				99615 Bolt Bag – Shutter			
16		4	#10 Flat Washer SS	31		4	3/8 Lock Washer SS
17		4	#10-32 Locknut GB SS	32		4	3/8-16 Hex Nut SS
30		4	3/8-16 x 1-1/4 Carriage Bolt	33		4	#10-32 x 1/2 #2 Pan Head Screw SS
Item 28				96529 Bolt Bag – Shutter Bearing Support			
31		4	3/8 Lock Washer SS	33		4	3/8-16 x 3/4 Hex Cap Screw SS
32		4	3/8-16 Hex Nut SS	34		4	3/8 Flat Washer SS
		SS = Stainless Steel				ns = not shown	
						G = Grade	

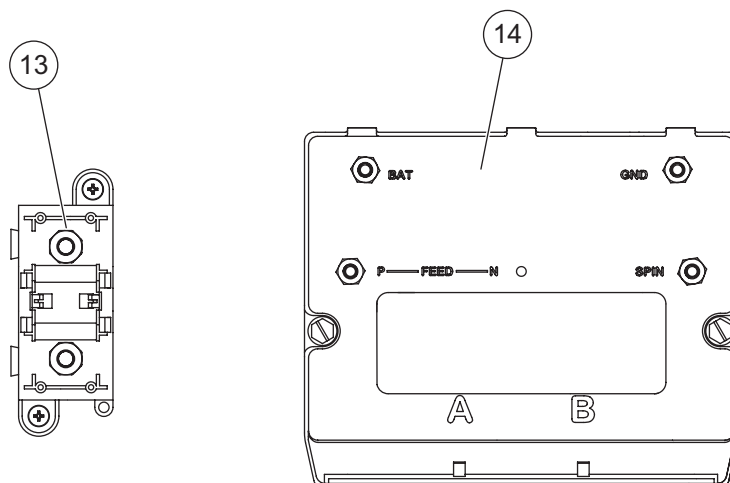
Striker™ HOPPER SPREADER

ELECTRICAL COMPONENTS



Striker™ HOPPER SPREADER

ELECTRICAL BOX COMPONENTS

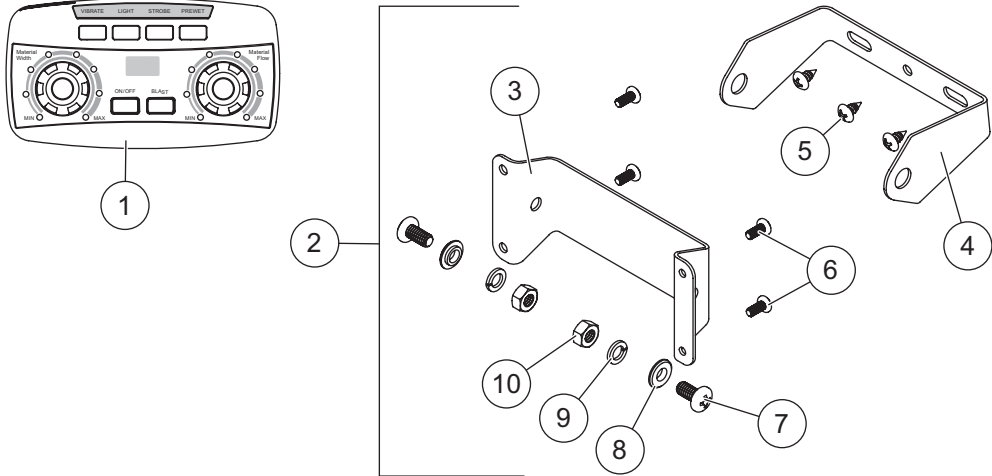


Cables & Harnessing, Electrical Components							
Item	Part	Qty	Description	Item	Part	Qty	Description
1	78402	1	Vehicle-Side Harness Kit	6	69939	1	10-Pin Connector w/Switch Connector
2	69906	1	Hopper Harness Assembly	7	78385	1	Cable – Module to Isolated Stud Block
3	78987	1	Conveyor Motor Cable	ns	99772	1	Motor Terminal Cover Kit (pkg of 2)
4	78361	1	Cable Assembly 20" – Spinner Motor				
5	78105	1	Cable Assembly 45" – Spinner Motor				
Item 1				78402 Vehicle-Side Harness Kit			
8	69902	1	Vehicle Control Harness	12	95836	1	Fuse, 100A
9	76057	1	Vehicle Harness Assembly*	13	95837	1	Fuse Holder/Isolated Stud block
10	99759	1	Plug Cover	ns		6	HD Cable Tie, 25.25"
11	22511	1	22" Battery Cable – Red	ns		10	Cable Tie, 5.35"
Electrical Box Components							
13	95837	1	Fuse Holder/Isolated Stud Block	14	52385	1	Spreader Module 4-Post
ns = not shown							

* Includes the Plug Cover (item 10).

Striker™ HOPPER SPREADER

CAB CONTROL



99534 Cab Control Kit							
Item	Part	Qty	Description	Item	Part	Qty	Description
1	99774	1	Cab Control 2-Knob	2	52345	1	Cab Control Bracket Kit
Item 2				52345 Cab Control Bracket Kit			
3		1	Control Bracket, Inner	7		2	1/4-20 x 1/2 Pan Head Machine Screw SS – Black Oxide
4		1	Control Bracket, Outer	8		2	1/4 Shoulder Washer – Black Oxide
5		3	#10 x 3/8 Tapping Screw SS	9		2	1/4 Lock Washer SS
6		4	#8-32 x 3/8 Phillips Pan Head Machine Screw	10		2	1/4-20 Hex Nut G5 – Black Oxide
G = Grade				SS = Stainless Steel			

Striker™ HOPPER SPREADER

ACCESSORIES

Accessory Kits			
Part	Description	Part	Description
99139	Chute Middle Section/Extension Kit	78402†	Vehicle-Side Harness Kit
99686	License Plate Light Kit	99488	Hopper Side Extension Kit
99505-1	Primary Work Light Kit	92532	Truck Mount Kit, 2 Bars – 7' & 8' Hoppers
99732-1	Secondary Work Light Kit	92533	Truck Mount Kit, 3 Bars – 9' Hopper
99494	Strobe Light Kit	99690	Tie-Down Kit SH, Chain
76668*	Vibrator Kit		

* Requires installation of 76669 Field Fix Kit.

† Contains all vehicle-side electrical components except control.

Pre-Wet Kits			
Part	Description	Part	Description
76400	Standard Pump Kit, On-Off System	76425	50-Gallon Tank Kit (2 x 25 gal)
76420	Deluxe Pump Kit, Full-Feature System	76450	100-Gallon Tank Kit (2 x 50 gal)
76405	Pre-Wet Pump Switch Kit		

Striker™ HOPPER SPREADER



Western Products
PO Box 245038
Milwaukee, WI 53224-9538
www.westernplows.com

 A DIVISION OF DOUGLAS DYNAMICS, LLC

Copyright © 2019 Douglas Dynamics, LLC. All rights reserved. This material may not be reproduced or copied, in whole or in part, in any printed, mechanical, electronic, film, or other distribution and storage media, without the written consent of Western Products. Authorization to photocopy items for internal or personal use by Western Products outlets or spreader owner is granted.

Western Products reserves the right under its product improvement policy to change construction or design details and furnish equipment when so altered without reference to illustrations or specifications used. Western Products or the vehicle manufacturer may require or recommend optional equipment for spreaders. Do not exceed vehicle ratings with a spreader. Western Products offers a limited warranty for all spreaders and accessories. See separately printed page for this important information. The following are registered (®) or unregistered (™) trademarks of Douglas Dynamics, LLC: Striker™, WESTERN®.

Printed in U.S.A.