



Fisher Engineering

80030

50 Gordon Drive, Rockland, Maine 04841-2139 • www.fisherplows.com

July 15, 2018

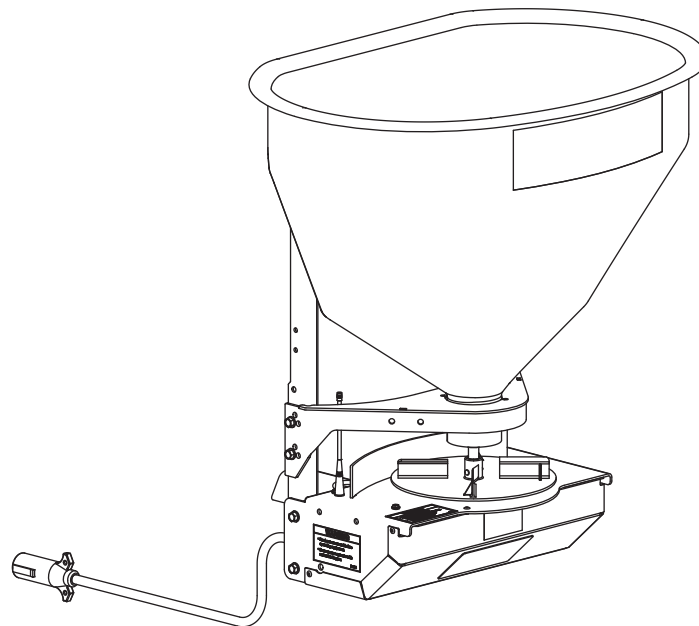
Lit. No. 43758, Rev. 01

QUICK-CASTER™ 300W

Hopper and Drive Components

QUICK-CASTER™ 300W Low-Profile Tailgate Spreader

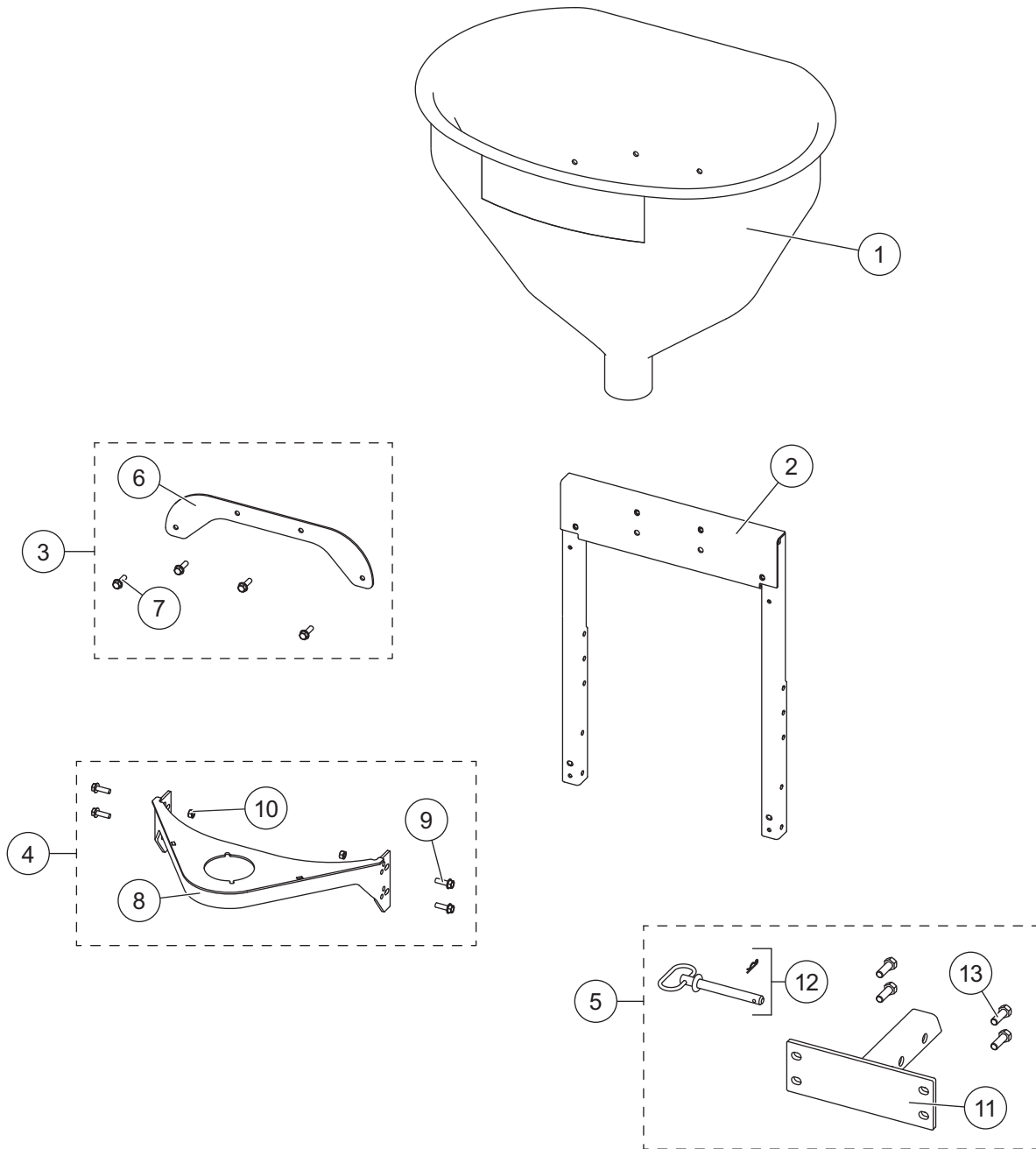
Parts List



This Parts List is for FISHER® QUICK-CASTER™ Low-Profile Tailgate Spreaders with serial numbers beginning with 150401 and higher.

QUICK-CASTER™ 300W LOW-PROFILE TAILGATE SPREADER

HOPPER COMPONENTS

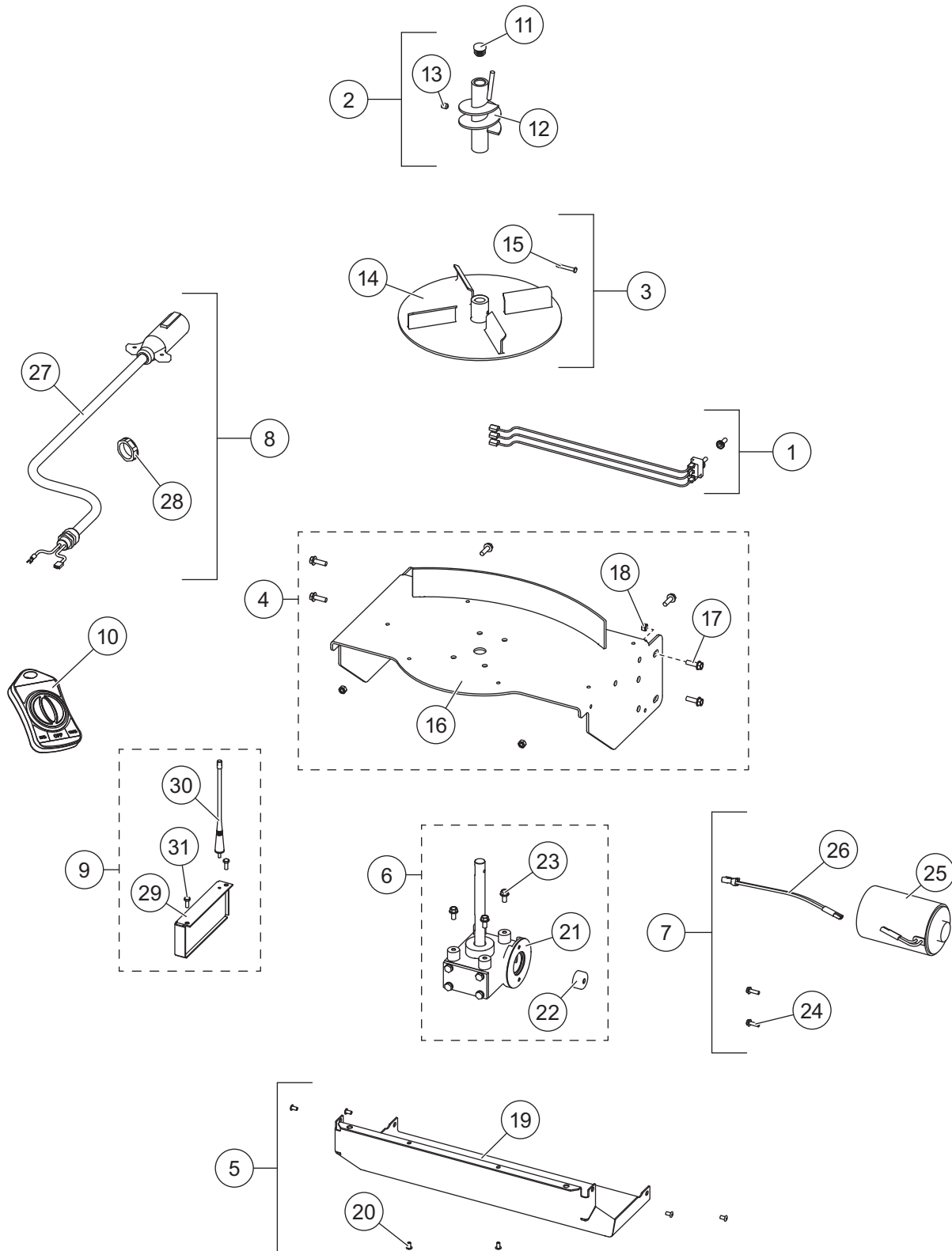


QUICK-CASTER™ 300W LOW-PROFILE TAILGATE SPREADER

Hopper Components							
Item	Part	Qty	Description	Item	Part	Qty	Description
1	75930	1	Hopper, QUICK-CASTER 300W (yellow)	4	75617	1	Hopper Throat Kit
2	75572	1	Hopper Frame	5	75619	1	Receiver Kit
3	75570	1	Hopper Support Kit	ns	75563	1	FCC Compliance Label Kit
Item 3				75570 Hopper Support Kit			
6		1	Backing Plate	ns		4	5/16-18 Serrated Flange Nut
7		4	5/16-18 x 1 Serrated Hex Cap Screw				
Item 4				75617 Hopper Throat Kit			
8		1	Throat Support	10		4	5/16-18 Serrated Flange Nut
9		4	5/16-18 x 1 Serrated Hex Cap Screw				
Item 5				75619 Receiver Kit			
11		1	Hitch, 2" Receiver Utility	13		4	1/2-13 x 1-1/2 Hex Cap Screw G5
12	75620	1	5/8 x 5-1/2 Hitch Pin w/Hairpin Cotter				
ns = not shown				G = Grade			

QUICK-CASTER™ 300W LOW-PROFILE TAILGATE SPREADER

DRIVE COMPONENTS



QUICK-CASTER™ 300W LOW-PROFILE TAILGATE SPREADER



Fisher Engineering
50 Gordon Drive
Rockland, ME 04841-2139
www.fisherplows.com

A DIVISION OF FISHER, LLC

Copyright © 2018 Douglas Dynamics, LLC. All rights reserved. This material July not be reproduced or copied, in whole or in part, in any printed, mechanical, electronic, film, or other distribution and storage media, without the written consent of Fisher Engineering. Authorization to photocopy items for internal or personal use by Fisher Engineering outlets or spreader owner is granted.

Fisher Engineering reserves the right under its product improvement policy to change construction or design details and furnish equipment when so altered without reference to illustrations or specifications used. Fisher Engineering or the vehicle manufacturer July require or recommend optional equipment for spreaders. Do not exceed vehicle ratings with a spreader. Fisher Engineering offers a limited warranty for all spreaders and accessories. See separately printed page for this important information. The following are registered (®) or unregistered (™) trademarks of Douglas Dynamics, LLC: FISHER®, QUICK-CASTER™.

Printed in U.S.A.